

SIRIUS SC Function Module 3RF2900-0EA18 Converters**Main Characteristics:**

Applicable on all 3RF21 and 3RF23.
 No additional space requirements.
 LED display.
 Linear design.
 Plug-in control terminals.
 Degree of protection IP 20.

**General Data:****Standards / Approvals**

DIN EN 60947-4-3
 UL 508 / CSA
 CE
 CCC

Ambient temperature		
during operation	°C	-25 ... 60
during storage	°C	-55 ... 80
Installation altitude	m	0 ... 1000; derating starting at 1000
Impact resistance in acc. with DIN IEC 68	g/ms	15/11
Vibration performance	g	2
Degree of protection		IP20
Electromagnetic compatibility (EMC)		
Emitted interference		
○ Conducted interference voltage IEC 60 947-4-3		Class A for industrial applications
○ Radiated, radio-frequency interference voltage IEC 60 947-4-3		Class A for industrial applications
Interference resistance		
○ Electrostatic discharge in acc. with IEC 61 000-4-2 (equivalent to severity 3)	kV	Contact discharge 4; air discharge 8; performance criteria 2
○ Induced HF fields in acc. with IEC 61 000-4-6	MHz	0.15 ... 80; 140 dB μ V; performance criteria 1
○ Burst in acc. with IEC 61 000-4-4	kV	2/5.0 kHz; performance criteria 1
○ Surge in acc. with IEC 61 000-4-5	kV	Phase-to-ground 2; phase-to-phase 1; performance criteria 2

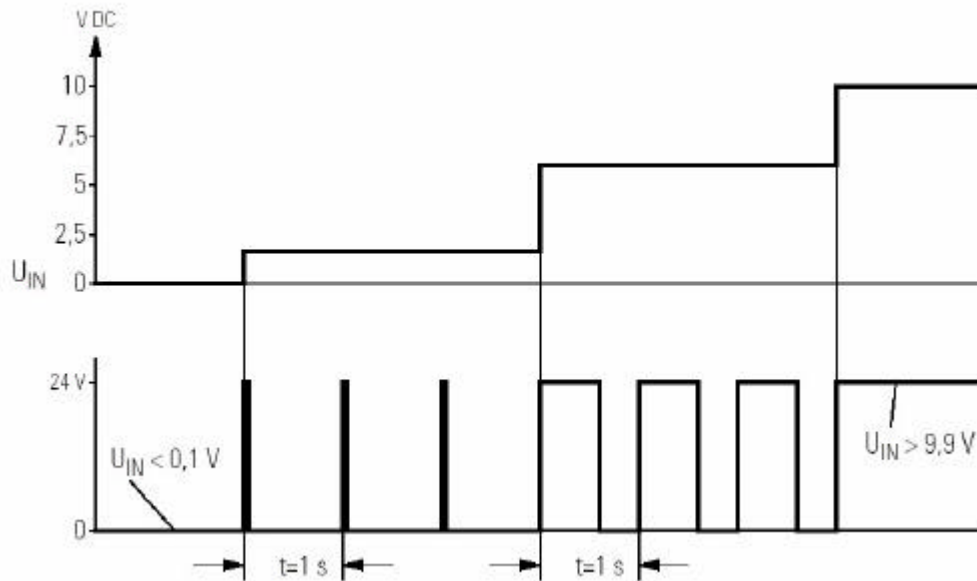
Type		Screw connection
Connection, auxil. / control contacts		
Conductor cross-section	mm ²	0.5 ... 2.5
	AWG	20 ... 12
Stripping length	mm	7
Terminal screw		M 3
○ Tightening torque	Nm	0.5 ... 0.6
	lb.in	4.5 ... 5.3

Main Circuit:

The function module has no contact to the main circuit!

SIRIUS SC Function Module 3RF2900-0EA18 Converters

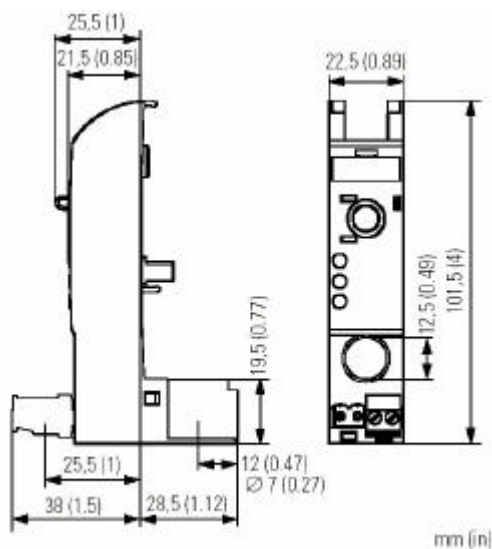
Characteristic Curves:



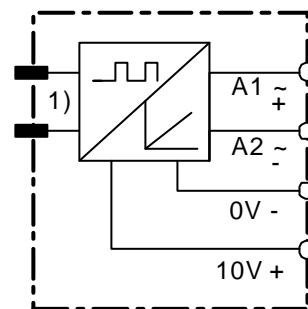
Control Circuit:

Type		3RF2900-0EA18
Operating type		AC/DC operation
Rated control supply voltage U_s	V	24
Max. operating voltage	V	30
Rated operating current	mA	15
Rated frequency of the control supply voltage	Hz	50/60
Threshold voltage	V	15
• At threshold current	mA	2
Drop-out voltage	V	5

Dimension Drawing:



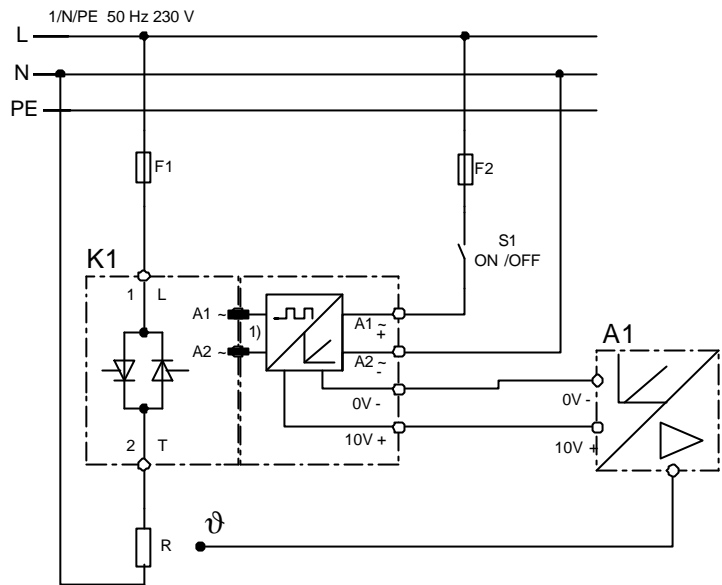
Equipment Circuit Diagram:



3RF2900-0EA18
 $U_s = 24$ V AC/DC

SIRIUS SC Function Module 3RF2900-0EA18 Converters**Sample Circuit Diagram:**

- A1 Thermostat with analog output
 F1 Main circuit fuse
 (semiconductor protection
 is recommended)
 F2 Control circuit fuse
 K1 3RF2 solid-state relay with plug-on
 converter module¹
 R Load resistance
 S1 ON / OFF switch



¹ Internal connection to the solid-state relay / contactor.