



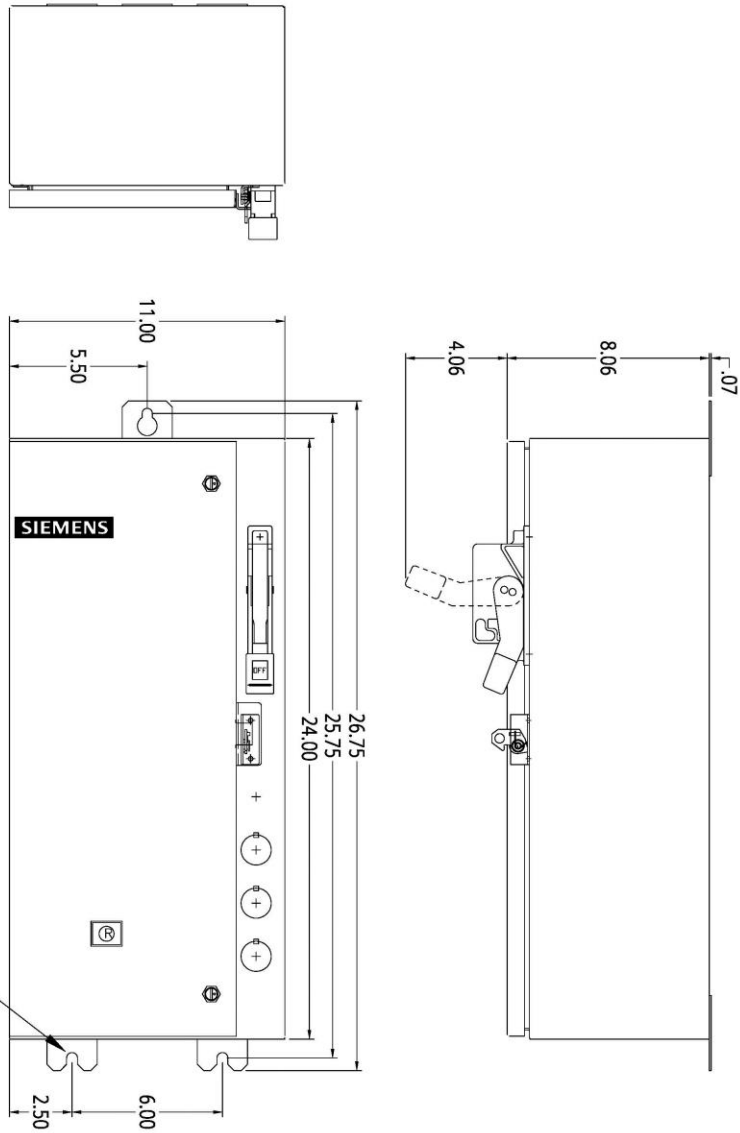
Enclosure kit
NEMA Type 3/3R/4/12
Dust-tight, watertight & weather proof
Used for field assembly of Class 17 combination starters with non-fusible or fusible disconnect switch.



Image is representative and may not depict the actual product.

General technical data:	
Control products assembled with enclosure kit	Class 17 starter NEMA size 0 - 2 with 60A disc. sw.
Weight	35 lb.
Country of origin	Mexico
Enclosure	
Nominal size (Height x Width x Depth)	24 x 11 x 8 in
NEMA Type	Type 3/3R/4/12
Rating	Dust-tight, watertight & weather proof
Mounting method	Wall mounted
Fabrication method	TOX joining with metal sealant
Type and gauge of material	16 AWG galvanized mild steel
Finish	ANSI 61 gray polyester powder paint finish inside and out
Flanged	Yes
Door / cover type	Hinged
Door / cover removable	Yes
Degrees door swings open	180 degrees minimum
Gasket on door	Yes
Door pocket	No
Concealed hinges	Yes
Latching style and quantity	Two quarter-turn latches
Padlock provision	Yes
Grounding stud on body	No
Grounding stud on door	No
Conduit knockouts included	No
Knockouts or plugged holes in cover or flange included	Yes
Mounting panel	
Panel included	Yes
Nominal size (Height x Width)	21 x 10 in
Type and gauge of material	12 AWG mild steel
Finish	White powder paint finish
Components included	
	Disconnect handle and mechanism Overload relay reset operator Power wire Hardware and instruction sheets
Required components that must be ordered separately	
	Motor starter Disconnect switch, optional fuse load base and rejection clips
Industry standards	
	UL 508 Listed File No. 14900 cUL Listed per CSA C22.2 No 14 File No. 14900

OUTLINE 24X11X8 NEMA 12/3/3R/4



MOUNTING HOLES FOR
1/4" SCREWS QTY. 3

DIMENSIONS ARE IN INCHES.
FILE NAME: SFIS-D68774004-0211