

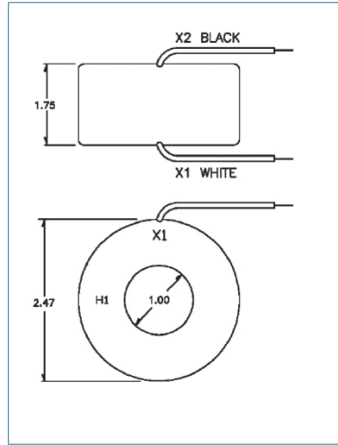
Power Distribution Solutions

Low-voltage Current Transformers

Comprehensive metering grade CT offering split-core, flexible and solid core designs

Solid-core – Round with Round Window

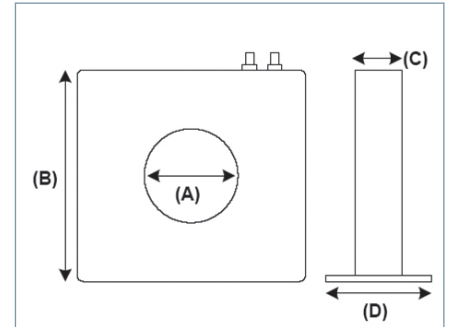
The small size solid core Current Transformer (CT) are designed for tight locations and new installations providing a safe 5 amp secondary for use on voltage applications of 600V or less. **Accuracy is 0.3%.**



| Solid core – Round metering grade, 600V | | |
|---|---------|-----------------------------|
| Catalog Number | Primary | Size |
| SMU-CT-011 | 100A | 1.75" x 2.47", 1" Window |
| SMU-CT-021 | 200A | 1.75" x 2.47", 1" Window |
| SMU-CT-025 | 250A | 1.75" x 2.47", 1" Window |
| SMU-CT-031 | 300A | 1.75" x 2.47", 1" Window |
| SMU-CT-041 | 400A | 1.1" x 3.56", 1.56" Window |
| SMU-CT-061 | 600A | 1.1" x 3.56", 1.56" Window |
| SMU-CT-081 | 800A | 1.1" x 3.56", 1.56" Window |
| SMU-CT-123 | 1000A | 1.1" x 3.56", 1.56" Window |
| SMU-CT-02R | 2000A | 1.15" x 5.73", 3.25" Window |

Solid-core – Square with Round Window

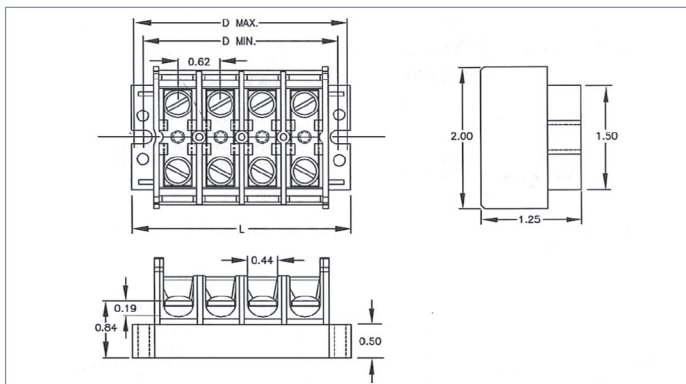
Siemens Instrument Grade Current Transformers (CT) are designed as solid-core construction and provide a safe 5A secondary output. Solid-core CT's come with terminals for attaching leads. Use on low-voltage applications of 600V or less. **Accuracy is 0.3%.**



| Amps | Dimension (A x B x C x D) | Catalog Number |
|--------|-------------------------------|----------------|
| 200:5 | 1.25" x 4.88" x 2.19" x 4.68" | PDS-CTRC-021 |
| 300:5 | 1.25" x 4.88" x 2.19" x 4.68" | PDS-CTSC-031 |
| 400:5 | 1.25" x 4.88" x 2.19" x 4.68" | PDS-CTRC-041 |
| 500:5 | 1.25" x 5.10" x 3.00" x 5.50" | PDS-CTRC-051 |
| 600:5 | 1.25" x 5.10" x 3.00" x 5.50" | PDS-CTRC-061 |
| 800:5 | 1.25" x 5.10" x 3.00" x 5.50" | PDS-CTRC-081 |
| 1000:5 | 1.25" x 5.10" x 3.00" x 5.50" | PDS-CTRC-101 |
| 100:5 | 2.25" x 6.31" x 3.00" x 5.82" | PDS-CTRC-012 |
| 200:5 | 2.25" x 6.31" x 3.00" x 5.82" | PDS-CTRC-022 |
| 300:5 | 2.25" x 6.31" x 3.00" x 5.82" | PDS-CTRC-032 |
| 400:5 | 2.25" x 6.31" x 3.00" x 5.82" | PDS-CTRC-042 |
| 800:5 | 4.00" x 6.44" x 3.25" x 3.25" | PDS-CTRC-084 |
| 1000:5 | 4.00" x 6.44" x 3.25" x 3.25" | PDS-CTRC-104 |
| 1200:5 | 4.00" x 6.44" x 3.25" x 3.25" | PDS-CTRC-124 |
| 1600:5 | 4.00" x 6.44" x 3.25" x 3.25" | PDS-CTRC-164 |
| 2000:5 | 4.00" x 6.44" x 3.25" x 3.25" | PDS-CTRC-204 |
| 3200:5 | 6.50" x 9.88" x 7.00" x 7.00" | PDS-CTRC-326 |
| 4000:5 | 6.50" x 9.88" x 7.00" x 7.00" | PDS-CTRC-426 |

Shorting Block

All low-voltage current transformers should be installed with a shorting block to allow for easy removal of the metering unit and to provide a safe method for disconnecting the CT signal. One shorting block is required per meter. Various size shorting blocks are available; 4, 6, and 8 pole configurations are available with four slotted shorting screws and cover. Wire size is 18-10 AWG.



| Catalog Number | Ckts. | Mounting | | |
|----------------|-------|----------|--------|--------|
| | | L | D min. | D max. |
| IKU4SC | 4 | 3.25 | 2.88 | 3.00 |
| IKU6SC | 6 | 4.50 | 4.12 | 4.25 |
| IKU8SC | 8 | 5.75 | 5.38 | 5.50 |
| IKU12SC | 12 | 8.25 | 7.88 | 8.00 |

Typical electrical meter CT and shorting block installation

This example shows a common three phase, three wire installation where three CT's and one shorting block are used.

