

Catalog Numbers

Catalog No.	Amperage Rating	Max. Interrupting Rating
1 PHASE, 3 WIRE, 120/240V AC MAX		
WB1700C	700	65,000
WB1700CU	700	100,000
WB1800C	800	65,000
WB1800CU	800	100,000
3 PHASE, 4 WIRE, 240V AC MAX		
WB3700C	700	65,000
WB3700CU	700	100,000
WB3800C	800	65,000
WB3800CU	800	100,000

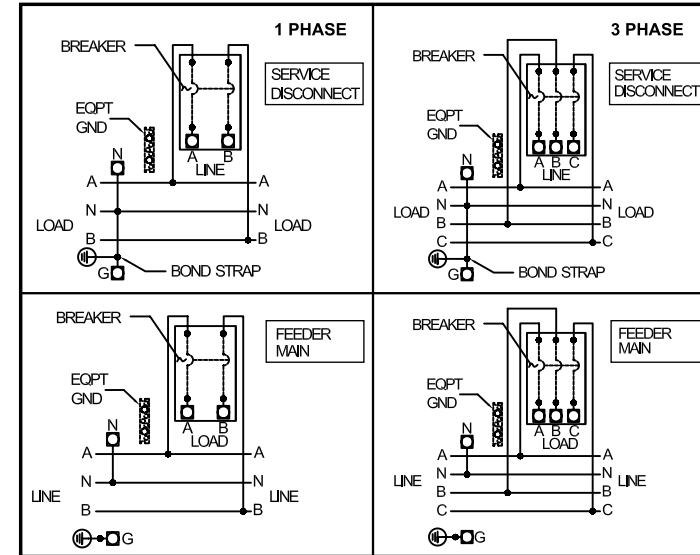
Replacement Parts, Accessories, And Additional Modules

FOR USE WITH:		
Module Description	Siemens Series#	Murray Series#
Main Breakers	(W)MC, WB, WEB	DB W
Switches	WMP, WMS, WS, WES	DPT W, DT W
Tap/Terminal Boxes	WMTB, WTB, WET	DTB W
Pull Boxes	WMMB, WPB, WAPB	DPB W
Meter Module	WMM, WxMM, WMT, WML, WMK	DG_W, DC_W, DL_W
Extension Box	WMEX, WSP	DS
Bussed Elbow	(W)BE	DL
Connect Modules Using		Catalog Number / Torque
QuickConnect	QC1 (1ph) or QC4 (3ph)	400-440 lb-in (35-36 ft.-lb.) Torque
Single Bolt Joint	SBJ1 (1ph) or SBJ4 (3ph)	400-480 lb-in (35-40 ft.-lb.) Torque

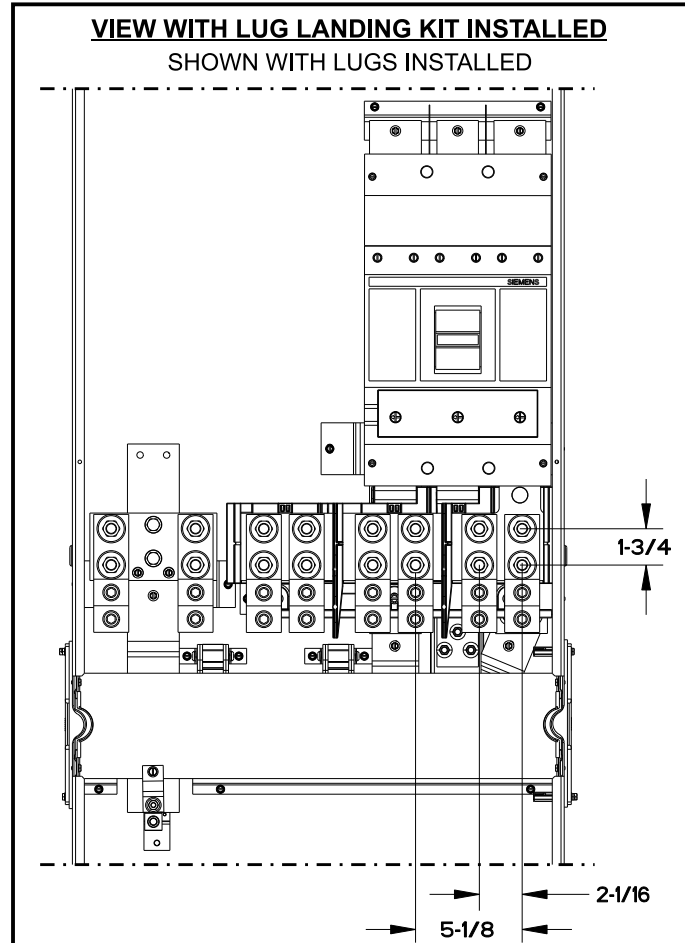
Siemens Accessories	Catalog Number			
Hub Cover Plate	EC56933S			
Type HD Hub 3"	EC56856			
Type HD Hub 3-1/2"	EC56857			
Type HD Hub 4"	EC56858			
GND Bar Kit	ECLX069M			
Lug Landing Pad	LLP1200 (lugs ordered separately) UNDERGROUND USE ONLY			
Breaker Lug Kits				
Lug Kit	MFG	Wire Range	No. Wires per phase	Torque (lb.-in.)
Single Phase Mechanical Lug Kits				
LK13500*	Siemens	1/0-500 kcmil	3	375
LK13750	Siemens	500-750 kcmil	3	375
Three Phase Mechanical Lug Kits				
LK33500*	Siemens	1/0-500 kcmil	3	375
LK33750†	Siemens	500-750 kcmil	3	375

* Factory Installed † Order Terminal Shield NDTs separately

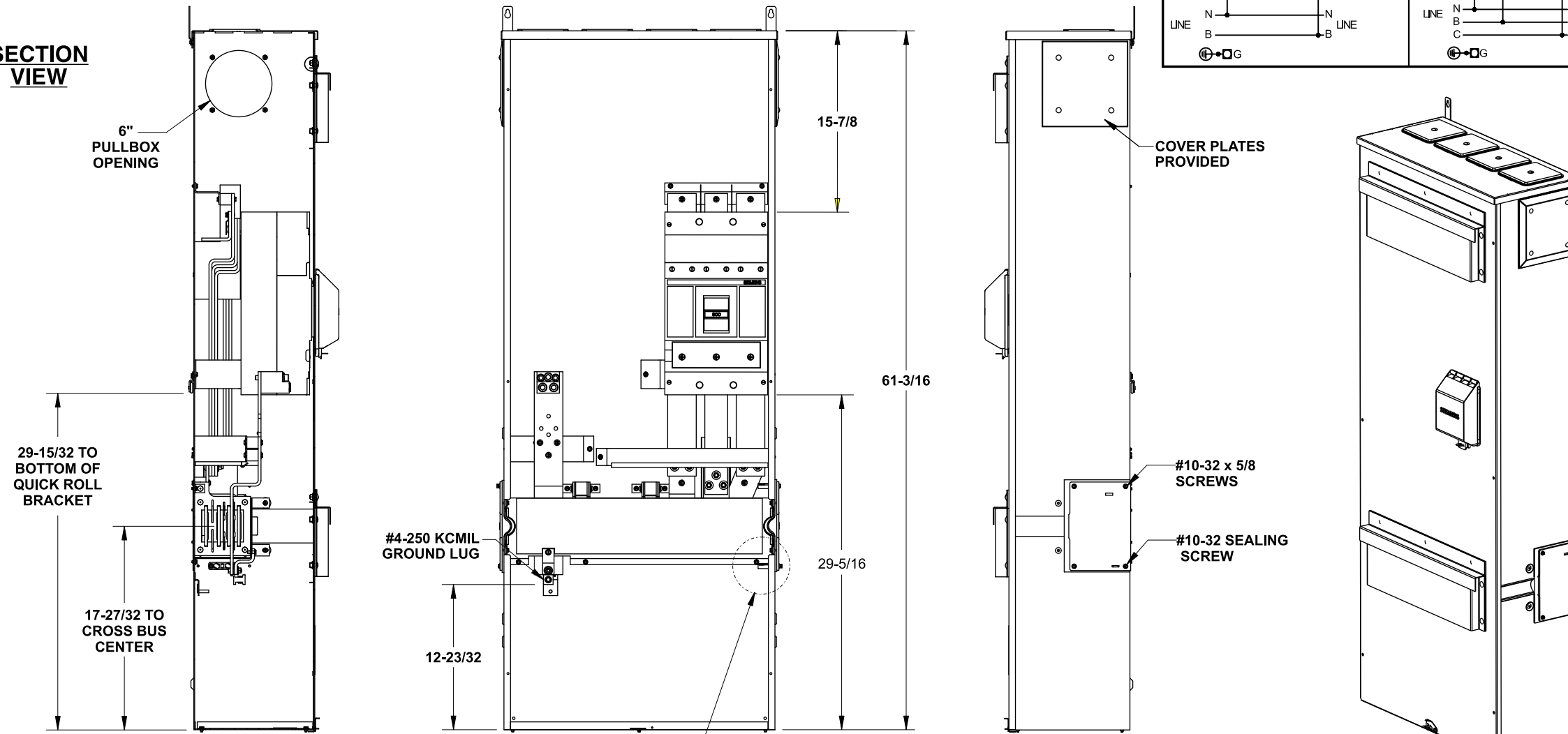
Schematics



LLP1200 Lug Landing Kit



SECTION VIEW

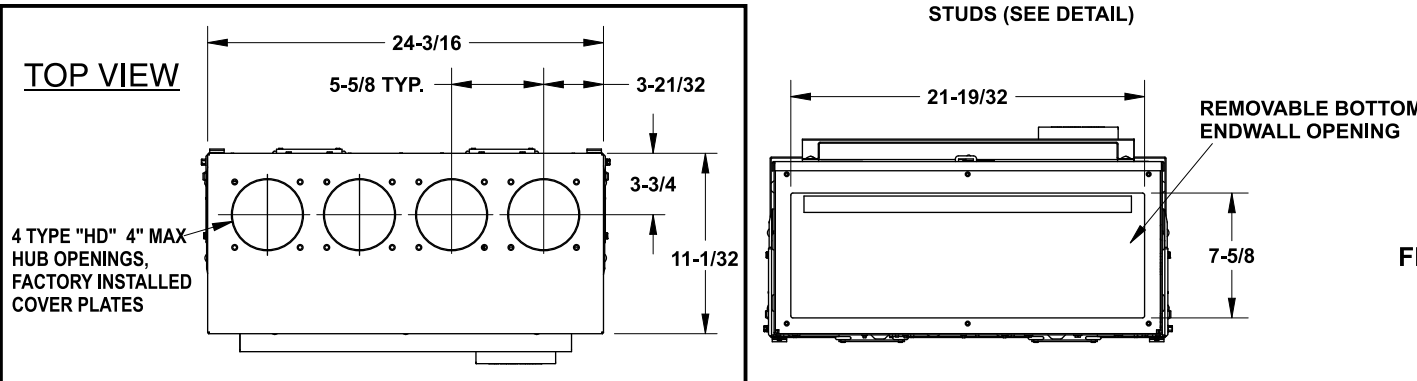


Lug Kits for LLP1200 Phase and Neutral Connections

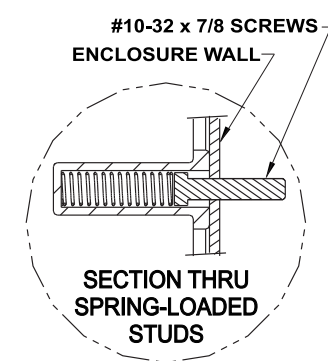
1 Phase: Lugs for Phase and Neutral Connections (not supplied)					
NEMA Lug ^①	MFG	Wire Range	Type	No. Wires per phase	Torque (lb.-in.)
LK12600N2	Siemens	#2-600 kcmil	Mechanical	2	375
LK13500N2	Siemens	1/0-500 kcmil	Mechanical	1	375 ②
LK12750N2	Siemens	300-750 kcmil	Mechanical	2	500 ②
2ACL-500	ILSCO	500 kcmil	Compression	3	NA ③
2ACL-600	ILSCO	600 kcmil	Compression	2	NA ③
2ACL-750	ILSCO	750 kcmil	Compression	2	NA ③
3 Phase: Lugs for Phase and Neutral Connections (not supplied)					
NEMA Lug ^①	MFG	Wire Range	Type	No. Wires per phase	Torque (lb.-in.)
LK32600N2	Siemens	#2-600 kcmil	Mechanical	2	375
LK33500N2	Siemens	1/0-500 kcmil	Mechanical	1	375 ②
LK32750N2	Siemens	300-750 kcmil	Mechanical	2	500 ②
2ACL-500	ILSCO	500 kcmil	Compression	3	NA ③
2ACL-600	ILSCO	600 kcmil	Compression	2	NA ③
2ACL-750	ILSCO	750 kcmil	Compression	2	NA ③

① Order one mechanical lug kit for main breaker and neutral conversions. Contact lug manufacturer for compression lug quantities supplied for each kit.
② Kit contains more than one lug type. Reference kit instruction sheet for the actual torque value for each lug type.
③ See lug manufacturer's instruction sheet supplied with the connector for tool, die, and number of crimps.

TOP VIEW



WB3800C (3 Phase) SHOWN FRONT VIEW SHOWN WITHOUT COVER



© 2011 Copyright Siemens Industry, Inc.

Siemens Industry, Inc.
Building Technologies Division

PowerMod™ Breaker Mains

Catalog Numbers: **WB1700C thru WB3800CU**
Service Entrance Breaker Mains