

10. Reference fig. 9 - Installing the Branch Neutral Lug (item 19) in a Switchboard. The Branch Neutral is located at the bottom of the "Z-rails", or mirrored at the top depending upon the feed cable location. Two (2) different Neutral lug assemblies are included in the kit, be sure to install the type pictured below. The Neutral lug assemblies can be mounted, as shown, or on any available hole of the Branch Neutral depending on cable feed location. Torque all hardware as specified on the rear of the dead front.

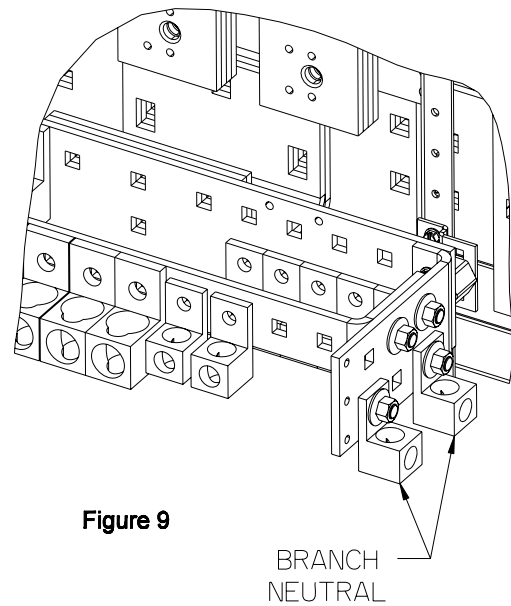


Figure 9

11. Reinstall the dead front using the breaker cover plate supplied with this kit. Other filler plates may be required for proper fit. See filler plate kits listed on the rear of the dead front.

SIEMENS

Switchboard/Distribution Panel Kit 6JJ61/SJ1D/6SJL1/SSJ1D 6LL61/SL6D/SSL6D/6SLL1 for Branch Mounting Type JD/SJD/LD/SLD Breakers

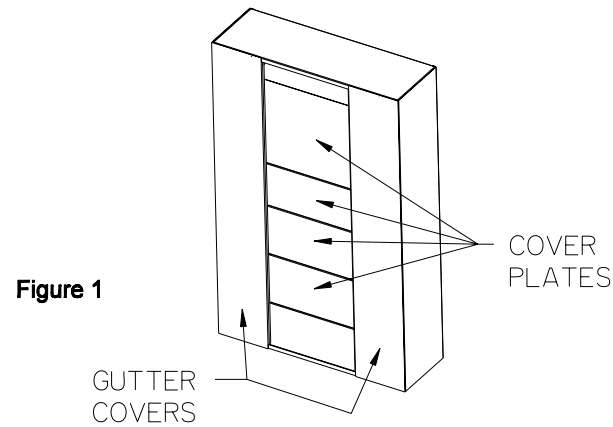
Installation
Instructions

Installation Instructions

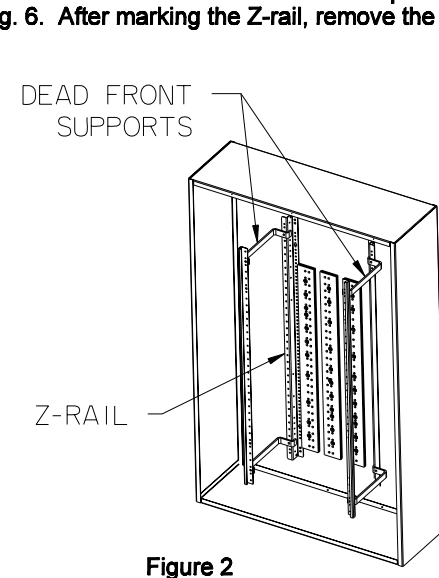
The following instructions are for the installation of Siemens class JD/SJD/LD/SLD Breakers in a switchboard or a deep panelboard. This kit will require 8-3/4" of unit space. The parts provided in this kit are for connection to a 3 phase / 3 wire or 3 phase / 4 wire system.



1. Lock off power supplying this equipment before working on it.
2. Reference fig. 1 - Remove the (2) gutter covers and cover plates.



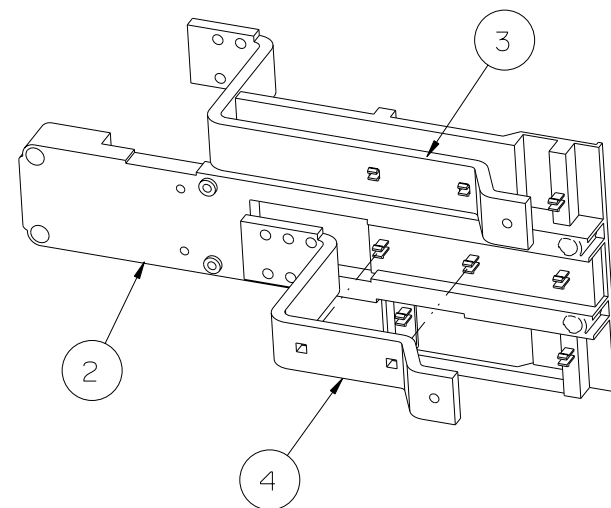
3. Reference fig. 2 - To mount the breaker, 8-3/4" of empty unit space is required. To locate the mounting position, measure from the top dead front support to the top of the empty unit space filler on the dead front. Transfer this dimension from the dead front support along the Z-rail and mark. This will be the unit space as shown on Fig. 6. After marking the Z-rail, remove the dead front.



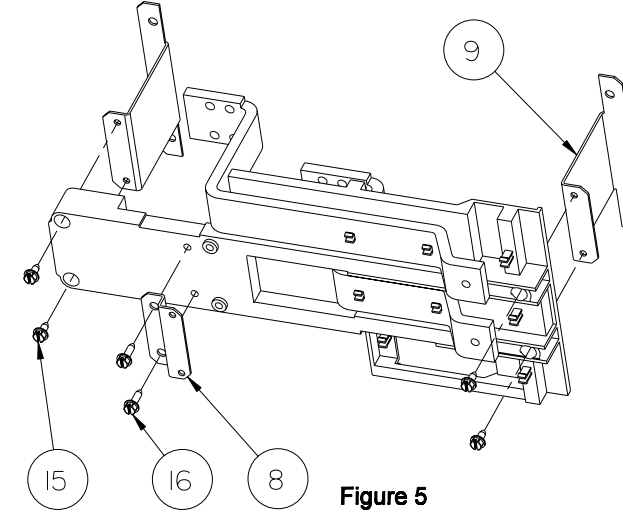
4. Open the shipping box and check the hardware against the following list.

ITEM	DESCRIPTION	QTY.
1	BREAKER INSTALLATION INSTR.}	1
2	STRAP SUPPORT BARRIER	1
3	LONG PHASE CONNECTOR	1
4	MEDIUM PHASE CONNECTOR	1
5	SHORT PHASE CONNECTOR	1
6	STRAP - SECTION BUS HARDWARE KIT	1
7	SERIES 5 CONVERSION KIT	1
8	BREAKER MOUNTING BRACKET	1
9	BARRIER MOUNT	2
10	BREAKER COVER PANEL	1
11	CARD HOLDER	1
12	CIRCUIT ID CARD	1
13	FILLER PLATE ASSEMBLY	1
14	1/4-20 X 3/8" SCREW	2
15	1/4-20 X 1/2" SCREW - SMALL HEAD	4
16	1/4-20 X 9/16" SCREW	2
17	1/4-20 X 2-3/4" SCREW	2
18	5/16-18 X 1-1/8" SCREW	3
19	NEUTRAL LUG ASSEMBLY	2
20	NEUTRAL LUG ASSEMBLY	2
21	BOX	1
22	CARTON LABEL	2
23	1/4-20 x 1/2" SCREW	4

5. Reference fig. 4 - Installing the Phase Connectors. Align the two square holes in the Long Phase Connector (item 3) over the two snaps on the Strap Support Barrier (item 2) and press down latching the Phase Connector in place upon the Barrier. Repeat this step for the Medium Phase Connector (item 4).

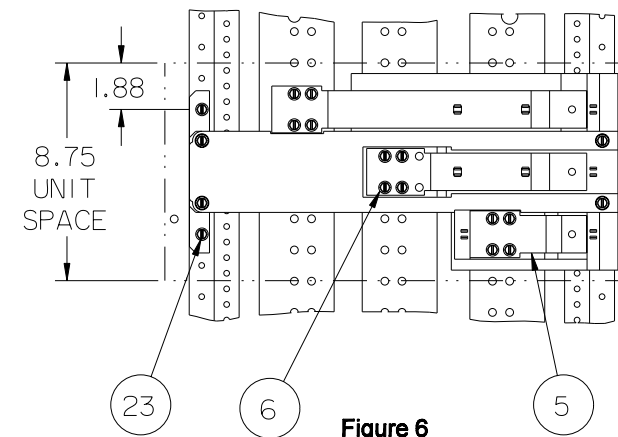


6. Reference fig. 5 - Attach the Mounting Brackets. Locate two \varnothing 0.312" holes at one end of the Support Barrier, insert two 1/4-20 X 1/2" screws (item 15) through the holes and then into the two \varnothing 0.228" holes at the small end of the Barrier Mount Bracket (item 9) and tighten. Repeat this step for a second Mount Bracket at the other end of the Support Barrier. Install the Breaker Mounting Bracket (item 8), insert two 1/4-20 X 9/16" screws through the two 0.438" diameter holes in the Breaker Mounting Bracket and into the threaded inserts on the Strap Support Barrier and tighten. Torque all screws to the values specified on the rear of the deadfront.

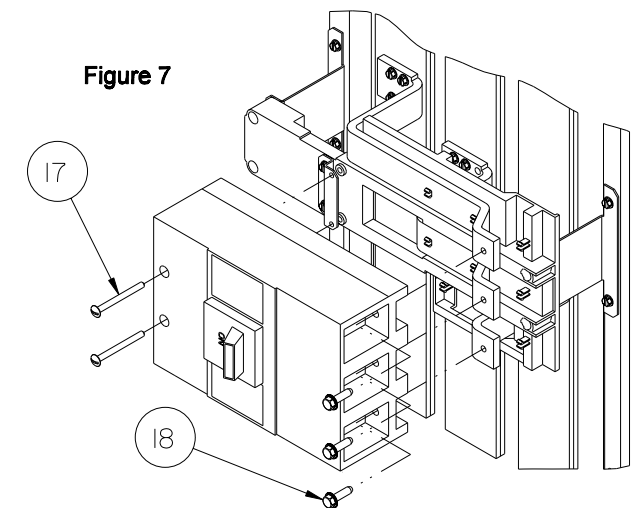


7. Reference fig. 6 - Installing the Support Barrier assembly. Locate a 0.228" diameter hole on each Z-rail 1-7/8" down from the top of the 8-3/4" unit space selected in Step 3. Insert one 1/4-20 X 1/2" screw (item 15) through the top 0.312" diameter hole on each Mounting Bracket and then into the selected holes in the Z-rails. Repeat this step to install one 1/4-20 X 1/2" screw into the bottom hole of each Mounting Bracket. Install the Short Phase Connector (item 5) by guiding the end with the four 0.312" diameter holes through Support Barrier aligning it to the Medium Phase Connector. Insert four 1/4-20 thread forming screws (see the Section Bus Hardware Kit for the proper length) through the four 0.312" diameter holes the Short Phase Connector and into the 0.228" diameter holes on the \varnothing bus and tighten. Repeat this step for both the Long and Medium Phase Connectors. Torque all screws to the values specified on the rear of the deadfront.

NOTE: The Support Barrier Assembly can be reversed for a right-hand application.



8. Reference fig. 7 - Install the Circuit Breaker. Insert one 5/16-18 X 1-1/8" screw (item 18) through each of the three contacts on the line side of the breaker and into the 0.281" diameter holes at the end of the three Phase Connectors. Insert two 1/4-20 X 2-3/4" thread forming screws (item 17) into the two mounting holes at the load side of the breaker and into the two 0.228" diameter holes in the breaker mounting bracket and tighten. Torque all connections to the values specified on the rear of the dead front.



NOTE: If a Branch Neutral Lug Assembly is NOT Required Skip To Step 11.

NOTE: For Switchboard Applications Skip To Step 10

9. Reference fig. 8 - Installing the Branch Neutral Lug (item 20) in a Power Panel. The Branch Neutral is located at the bottom of the "Z-rails", or mirrored at the top depending upon the feed cable location. Two (2) types of Neutral lug assemblies are included in the kit, be sure to install the kind pictured below. The Neutral lug assemblies can be mounted, as shown, on either side of the Branch Neutral depending on cable feed location. Torque all hardware as specified on the rear of the dead front.

