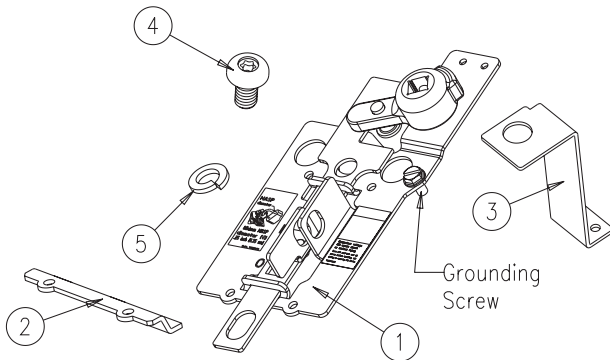


## Installation Instructions

| ⚠ DANGER   | ⚠ PELIGRO  | ⚠ DANGER   |
|--|--|--|
| <br><b>Hazardous Voltage.</b><br>Will cause death or serious injury.<br>Turn off and lock out all power supplying this device before working on this device.<br>Replace all covers before power supplying this device is turned on. | <b>Tensión Peligrosa.</b><br>Puede causar la muerte o lesiones graves.<br>Desenergice totalmente antes de instalar o darle servicio. Reemplace todas las barreras y cubiertas antes de energizar el interruptor. | <b>Tension Dangereuse.</b><br>Danger de morbu risquede blessures graves.<br>Couper l'alimentation de l'appereil erer avant de travailler. Remplacez toutes les couvertures avant que l'approvisionnement de pouvoir soit alimenté. |

### Contents



- Item 1, Breaker Operator Assembly, 1X
- Item 2, Clip support bracket, 2X
- Item 3, Shaft support bracket, 1X
- Item 4, #8-32 x .312 inch button head screw, 6X
- Item 5, #8 Lock washer, 6X
- Item 6, Instruction sheet, 1X

### Other catalog numbers required for complete assembly:

#### Type 3/3R

- RHOH - handle operator length 6.69 inch (169.93 mm) or:
- RHOHC - handle operator lenth 4.08 inch (103.63 mm)
- RHOSSD - shaft assembly 2 inch (50.8 mm) or
- RHOSVD - shaft assembly 12 inch (304.8 mm) or
- RHOSXD - shaft assembly 16 inch (406.4 mm)

#### Type 4/4X

- RHOH4 - handle operator length 6.69 inch (169.93 mm) or:
- RHOH4C - handle operator lenth 4.08 inch (103.63 mm)
- RHOSSD - shaft assembly 2 inch (50.8 mm) or
- RHOSVD - shaft assembly 12 inch (304.8 mm) or
- RHOSXD - shaft assembly 16 inch (406.4 mm)

#### Type 1, 12

- CRHOH - handle operator length 4.02 inch (102.11 mm)
- RHOSSD - shaft assembly 2 inch (50.8 mm) or
- RHOSVD - shaft assembly 12 inch (304.8 mm) or
- RHOSXD - shaft assembly 16 inch (406.4 mm)

### 1. Circuit Breaker Preparation

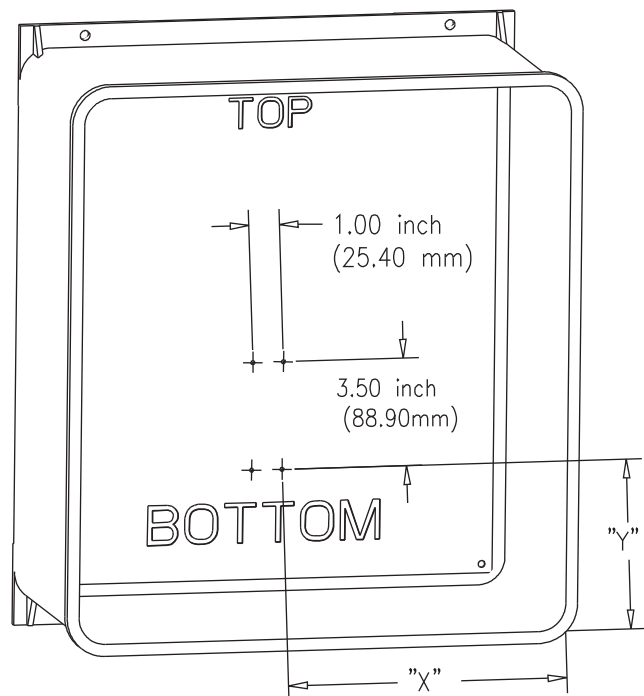
- Ensure that the circuit breaker is in the OFF/"O" position.
- Turn off and lockout all power supplying this device.
- Ensure that NO voltage is present before proceeding with this task.

### 2. Minimum wire bending space based on:

- 2005 NEC (Article 312.6B) requirement.

### 3. Mounting Breaker location.

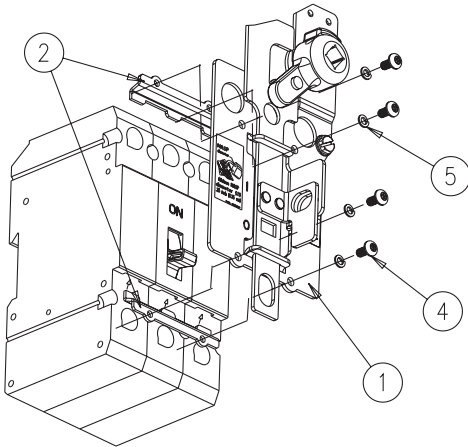
- Mount the circuit breaker in the enclosure considering minimum wire bending space.
- Clearance of 2-1/2 inch (63.5 mm) minimum beyond foot print of circuit breaker on top (on) side for device.



|  |  |  |   |
|--|--|--|---|
|  | <b>⚠ DANGER</b><br>Hazardous Voltage.<br>Will cause death or serious injury.   | <b>⚠ PELIGRO</b><br>Tensión Peligrosa.<br>Puede causar la muerte o lesiones graves.  | <b>⚠ DANGER</b><br>Tension Dangereuse.<br>Danger de mort ou de blessures graves.  |
|  | Turn off and lock out all power supplying this device before working on this device. Replace all covers before power supplying this device is turned on. | Desenergice totalmente antes de instalar o darle servicio. Reemplace todas las barreras y cubiertas antes de energizar el interruptor. | Couper l'alimentation de l'appareil erer avant de travailler. Remplacez toutes les couvertures avant que l'alimentation de pouvoir soit alimenté. |

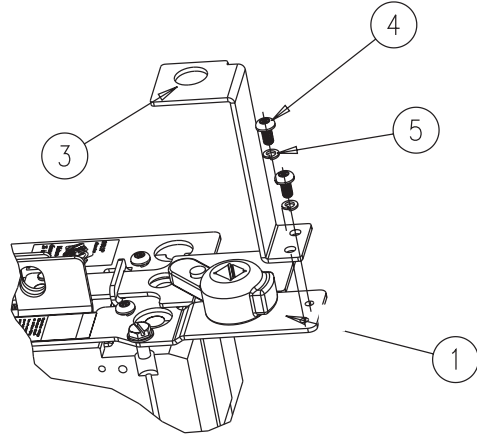
# Installation Instructions

## 4. Mounting Breaker Operator Assembly.



- Place item 2 (clip support) into slots of breaker as shown.
- Place item 1 (breaker operator assembly) onto items 2.
- Engage (loose fit, 4 places) item 5 (#8 lock washer) and item 4 (#8 screw) into item 2. Then torque screws to  $20 \pm 1$  lb-inches (2.26 Nm), 4 places.

## 4A. Mounting Shaft Bracket onto Breaker Operator Assembly.



- Place item 3 as shown (shaft support bracket) onto item 1 (breaker operator assembly).
- Engage (loose fit, 2 places) item 5 (#8 lock washer) and item 4 (#8 screw) into item 1 through item 3. Then, torque screws to  $20 \pm 1$  lb-inches (2.26 Nm), 2 places.

## 5. Handle Operator Location.

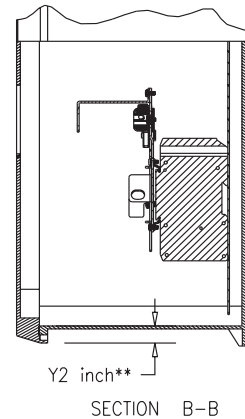
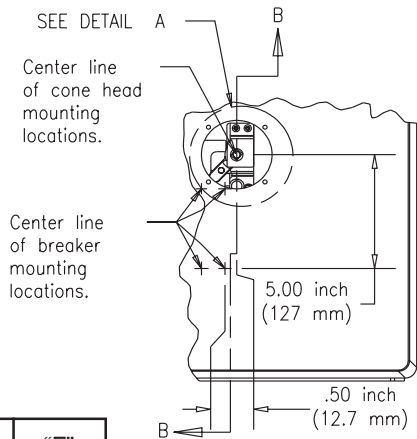
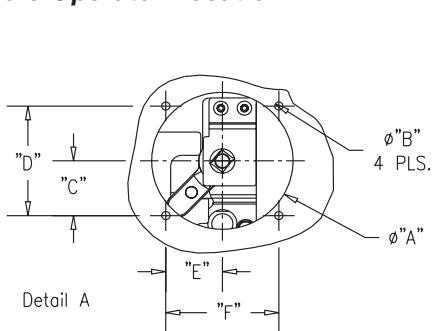
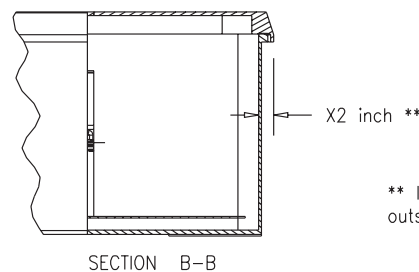




Table in "inch [mm]"

|          | "A"            | "B"            | "C"             | "D"             | "E"             | "F"             |
|----------|----------------|----------------|-----------------|-----------------|-----------------|-----------------|
| CRHOH    | 3.00<br>[76.2] | 1.75<br>[4.44] | 1.20<br>[30.5]  | 2.40<br>[60.9]  | 1.20<br>[30.5]  | 2.40<br>[60.9]  |
| RHOH (4) | 3.50<br>[88.9] | .281<br>[7.14] | 1.59<br>[40.38] | 3.18<br>[80.77] | 1.59<br>[40.38] | 3.18<br>[40.38] |

- Use breaker location "X" & "Y." See step "3" on page 1.
- ["X" - .50 inch (12.7 mm)] + X2 inch =
- ["Y" - 5.00 inch (127 mm)] + Y2 inch =

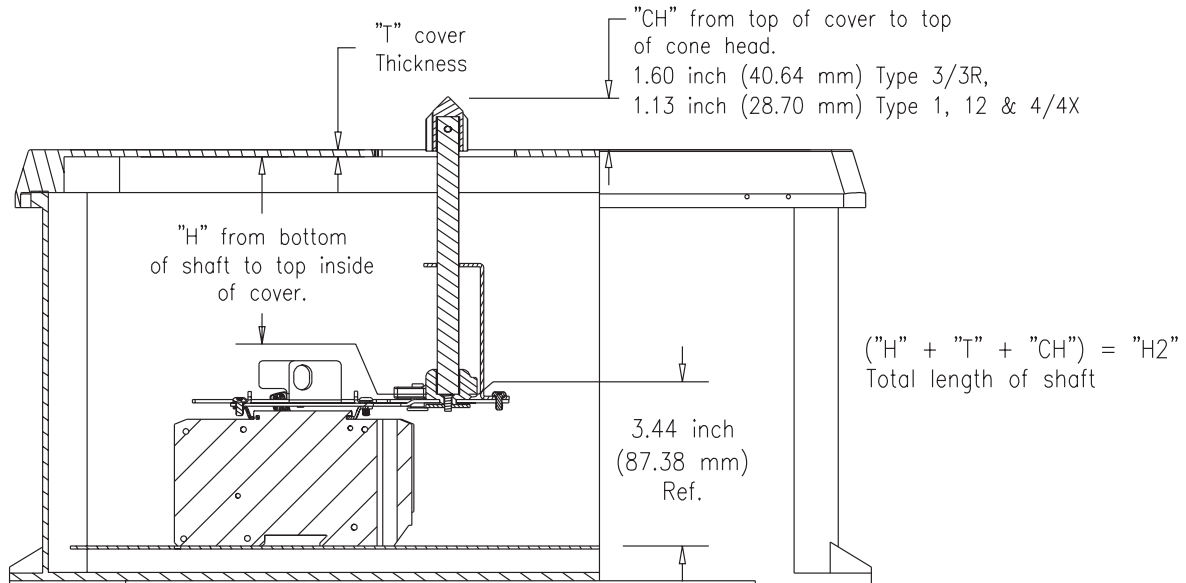


\*\* Inside of box to outside of cover.

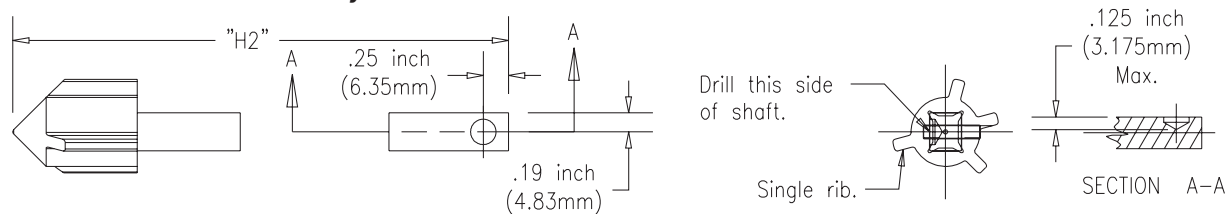
|   |  |  |  |
|---|--|--|--|
|  | <b>⚠ DANGER</b><br>Hazardous Voltage.<br>Will cause death or serious injury.   | <b>⚠ PELIGRO</b><br>Tensión Peligrosa.<br>Puede causar la muerte o lesiones graves.  | <b>⚠ DANGER</b><br>Tension Dangereuse.<br>Danger de mort ou de blessures graves.   |
|  | Turn off and lock out all power supplying this device before working on this device. Replace all covers before power supplying this device is turned on. | Desenergice totalmente antes de instalar o darle servicio. Reemplace todas las barreras y cubiertas antes de energizar el interruptor. | Couper l'alimentation de l'appareil erer avant de travailler. Remplacez toutes les couvertures avant que l'alprovisionnement de pouvoir soit alimenté. |

# Installation Instructions

## 6. Determine Shaft Assembly Length.



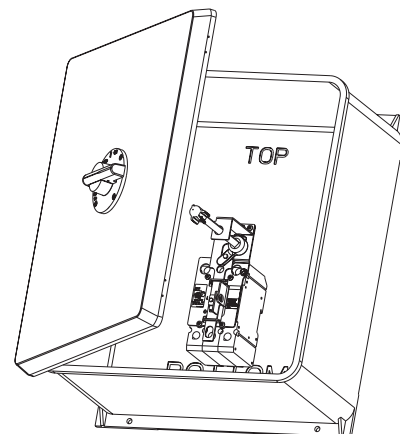
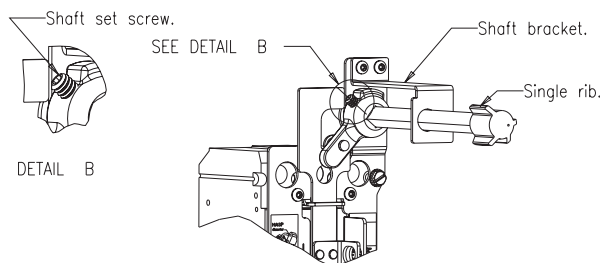
## 7. Cut and Drill Shaft Assembly.




- Cut shaft to desired length, "H2."
- Use 1/4 inch (6.35 mm) drill bit to place hole into shaft (hole to be drilled on same side as single rib on cone head).

## 8. Assembly for Set Screw Shaft Assembly.

## Completed Breaker Operator Assembly



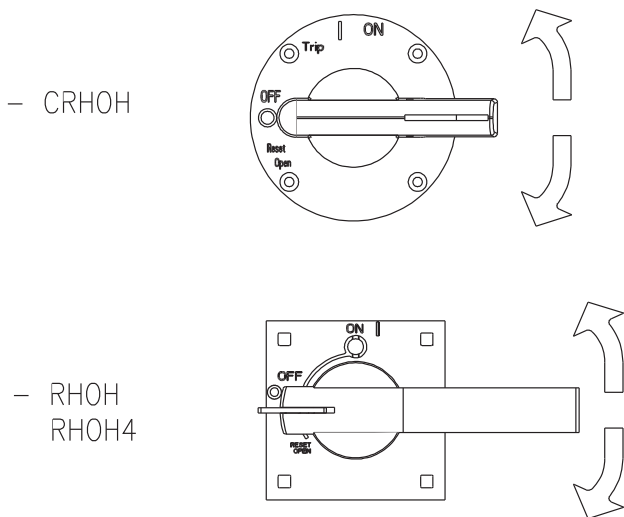
- Place shaft assembly down through shaft bracket as shown.
- Back out shaft set screw. Insert shaft into actuator, secure with shaft set screw, torque the set screw to 70 lb-inches (7.91 Nm).

|  |  |  |   |
|--|--|--|---|
|  | <b>⚠ DANGER</b><br>Hazardous Voltage.<br>Will cause death or serious injury.   | <b>⚠ PELIGRO</b><br>Tensión Peligrosa.<br>Puede causar la muerte o lesiones graves.  | <b>⚠ DANGER</b><br>Tension Dangereuse.<br>Danger de mort ou de blessures graves.  |
|  | Turn off and lock out all power supplying this device before working on this device. Replace all covers before power supplying this device is turned on. | Desenergice totalmente antes de instalar o darle servicio. Reemplace todas las barreras y cubiertas antes de energizar el interruptor. | Couper l'alimentation de l'appareil et avant de travailler. Remplacez toutes les couvertures avant que l'alimentation de pouvoir soit alimenté. |

# Installation Instructions

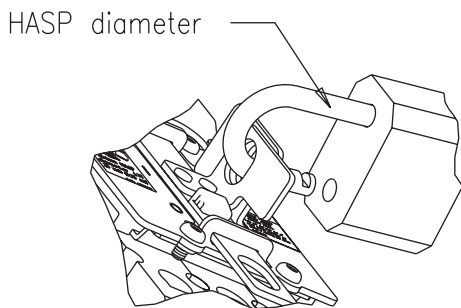
## 9. Closing of Cover.

Type1, 12, 3/3R, 4/4X



NOTE: For type 4 & 4X use RHOH4 only.

- Once the cone head has started to engage with handle operator, handle may be required to be rotated slowly until ribs of shaft assembly and handle operator align up.
- Once aligned, the cover can be closed and secured.



Minimum HASP diameter (Ø)  
.25 inch (6.35 mm)

## Dimensions for Mounting Breaker.

