

SIEMENS

Aux/Alarm Switches & 3SB Adapters

Bloque de interruptores auxiliares y de alarma

Contacts auxiliaires, signalisation et défaut et adaptateur 3SB

| Item: | U.S. Cat. No. | Euro Order No. |
|-------|---------------|----------------|
| | AMBL1 | 3VL9400-2AH01 |
| | AMBL2 | 3VL9400-2AJ11 |
| | AMBL3 | 3VL9400-2AJ21 |

| U.S. Cat. No. | Euro Order No. |
|---------------|----------------|
| ASKL1 | 3VL9400-2AG01 |
| ASKL2 | 3VL9400-2AB01 |
| ASKL3 | 3VL9400-2AD01 |
| ASWPA | 3SB34 00-0J |
| ASWPB | 3SB34 00-0K |

For Use With Frame CG, DG, FG, JG, LG
Para Usar Con Caja Base CG, DG, FG, JG, LG

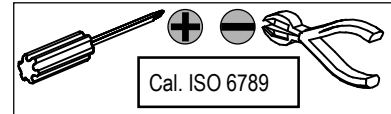
Installation Instructions / Instructivo de Instalación

|  Danger |  Peligro |  Danger! |
|---|---|---|
| <p>Hazardous Voltage Will cause death or serious injury</p> <p>Turn off and lock out all power supplying this device before working on this device. Replace all covers before power supplying this device is turned on.</p> | <p>Tensión peligrosa. Puede causar la muerte o lesiones graves.</p> <p>Desenergice totalmente antes de instalar o darle servicio. Reemplace todas las barreras y cubiertas antes de energizar el interruptor.</p> | <p>Tension dangereuse. Danger de mort ou risque de blessures graves.</p> <p>Couper l'alimentation de l'appareil et barrer avant de travailler. Remplacez tous les couverts avant que l'alimentation de pouvoir soit alimenté.</p> |

Use only with Siemens certified Components.

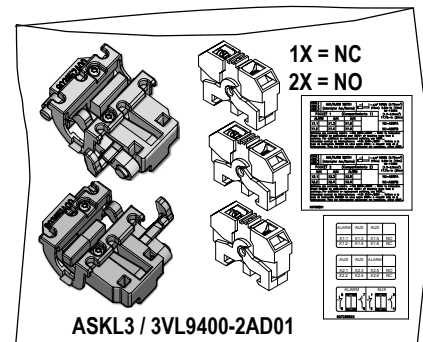
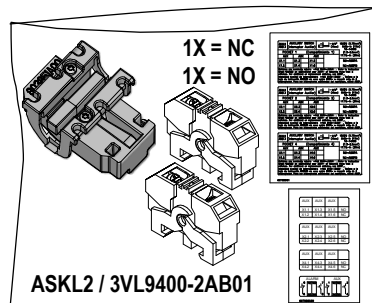
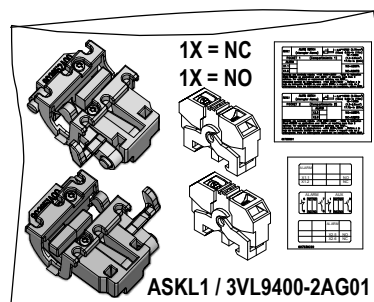
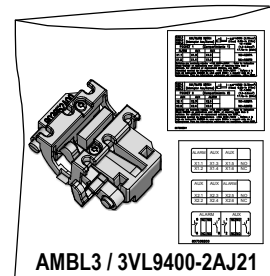
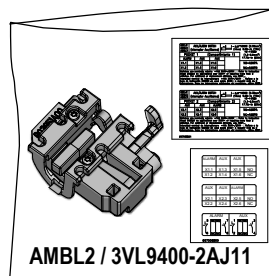
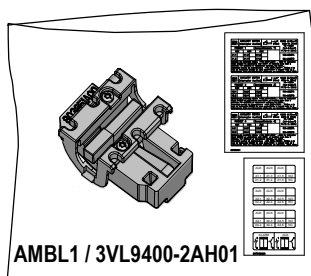
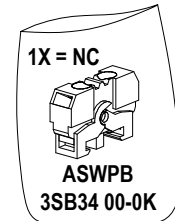
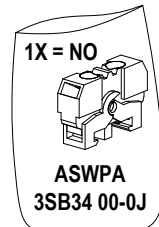
Utilizar únicamente con componentes certificados de Siemens.

A utiliser uniquement avec les composants certifiés Siemens .



NOTE - These instructions do not purport to cover all details or variations in equipment, or to provide for every possible contingency to be met in connection with installation, operation or maintenance. Should further information be desired or should particular problems arise, which are not covered sufficiently for the purchaser's purposes, the matter should be referred to the local Siemens sales office. The contents of this instruction manual shall not become part of or modify any prior or existing agreement, commitment or relationship. The sales contract contains the entire obligation of Siemens. The warranty contained in the contract between the parties is the sole warranty of Siemens. Any statements contained herein do not create new warranties or modify the existing warranty.

Trademarks - Unless otherwise noted, all names identified by ® are registered trademarks of Siemens AG or Siemens Industry, Inc. The remaining trademarks in this publication may be trademarks whose use by third parties for their own purposes could violate the rights of the owner.





Danger

Hazardous Voltage

Will cause death or serious injury

Turn off and lock out all power supplying this device before working on this device.

Replace all covers before power supplying this device is turned on.



Peligro

Tensión peligrosa.

Puede causar la muerte o lesiones graves.

Desenergice totalmente antes de instalar o darle servicio.

Reemplace todas las barreras y cubiertas antes de energizar el interruptor.

Danger!

Tension dangereuse.

Danger de mort ou risque de blessures graves.

Couper l'alimentation de l'appareil et barrer avant de travailler.

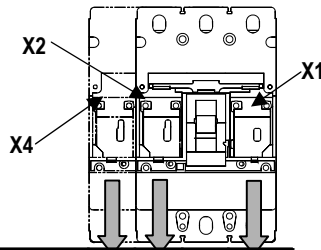
Remplacez tous les couverts avant que l'alimentation de pouvoir soit alimenté.



6 max. per circuit breaker

[6 max. por Interruptor]

[6 max. par le disjoncteur]



| | | | |
|-----------------------|----|----|------|
| ASKL1 / 3VL9400-2AG01 | | X2 | X1 * |
| ASKL2 / 3VL9400-2AB01 | X4 | X2 | X1 |
| ASKL3 / 3VL9400-2AD01 | | X2 | X1 * |
| AMBL1 / 3VL9400-2AH01 | X4 | X2 | X1 |
| AMBL2 / 3VL9400-2AJ11 | | X2 | |
| AMBL3 / 3VL9400-2AJ21 | | | X1 * |

* ≠ JG, LG

AMBL1 / 3VL9400-2AH01
ASKL2 / 3VL9400-2AB01

AMBL3 / 3VL9400-2AJ21
ASKL1 / 3VL9400-2AG01
ASKL3 / 3VL9400-2AD01

AMBL2 / 3VL9400-2AJ11
ASKL1 / 3VL9400-2AG01
ASKL3 / 3VL9400-2AD01

AMBL3 / 3VL9400-2AJ21

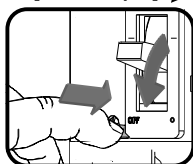
AMBL2 / 3VL9400-2AJ11

1

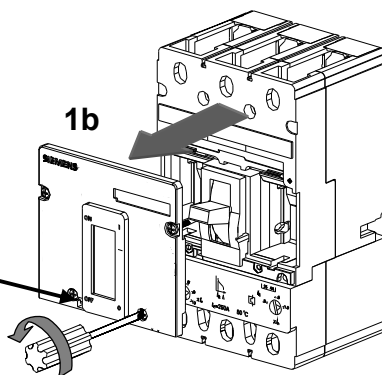


Trip
[Interrumpir]

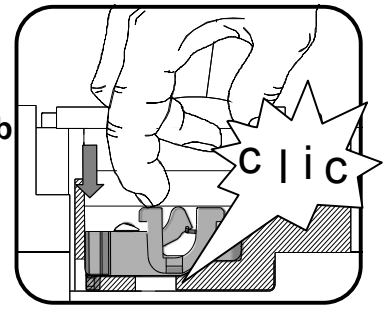
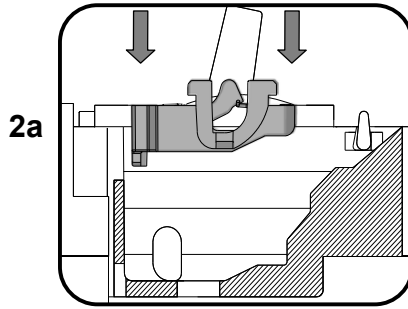
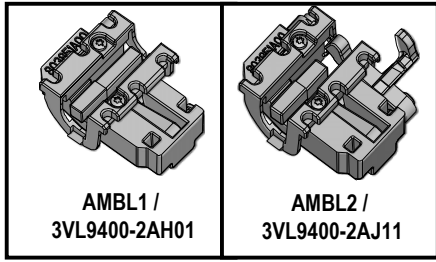
1a



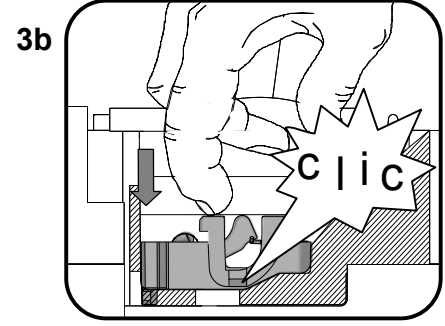
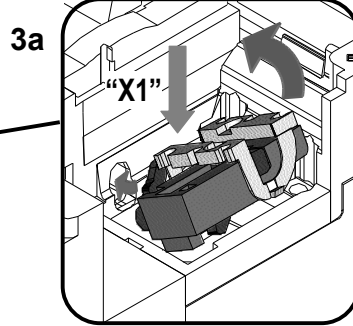
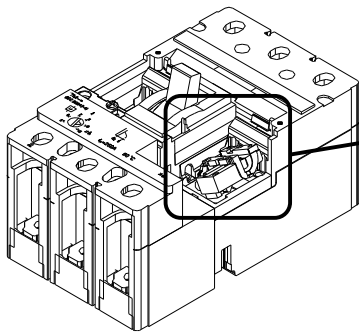
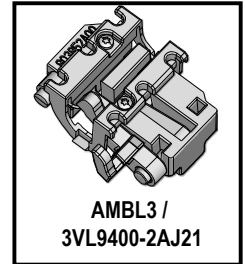
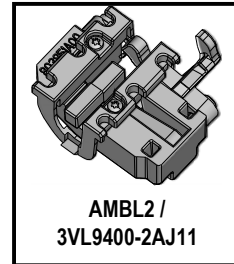
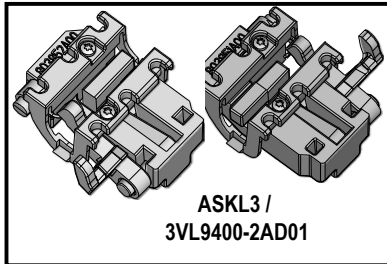
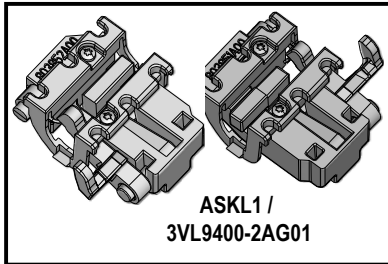
1b



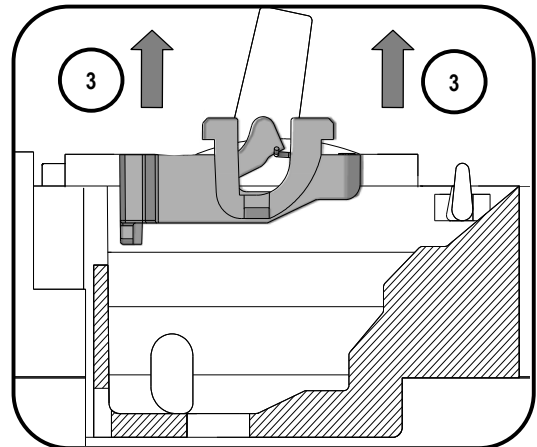
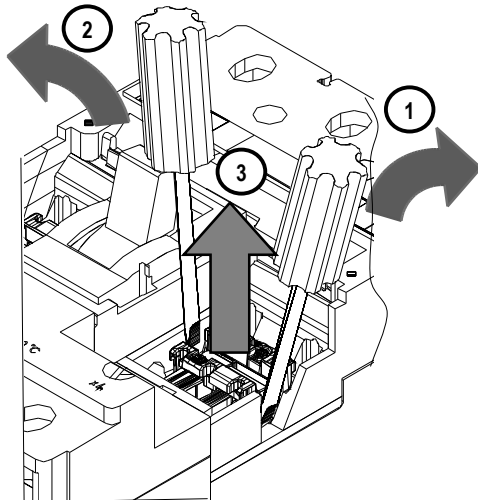
2



3



Removal
[Remover]





Danger

Hazardous Voltage

Will cause death or serious injury

Turn off and lock out all power supplying this device before working on this device.

Replace all covers before power supplying this device is turned on.



Peligro

Tensión peligrosa.

Puede causar la muerte o lesiones graves.

Desenergice totalmente antes de instalar o darle servicio.

Reemplace todas las barreras y cubiertas antes de energizar el interruptor.

Danger!

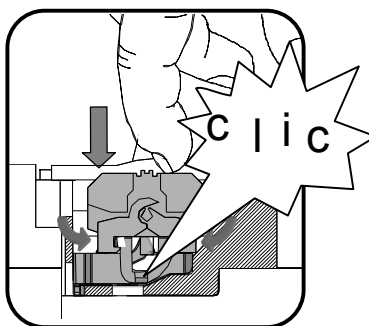
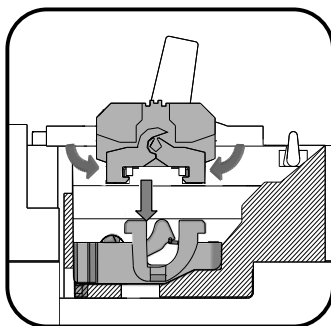
Tension dangereuse.

Danger de mort ou risque de blessures graves.

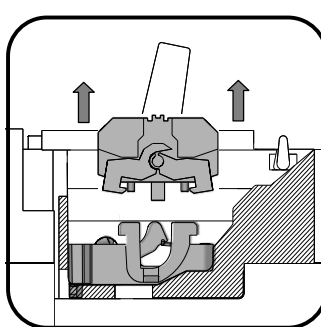
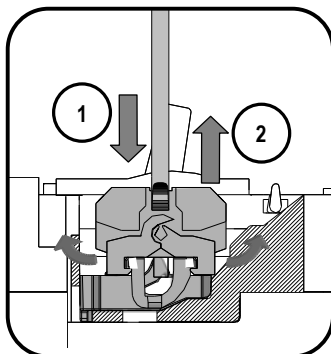
Couper l'alimentation de l'appareil et barrer avant de travailler.

Remplacez tous les couverts avant que l'approvisionnement de pouvoir soit alimenté.

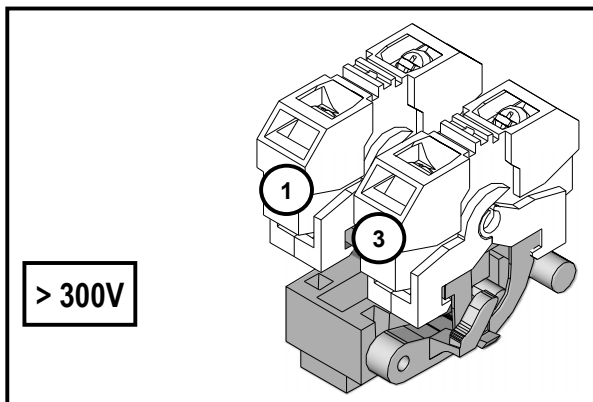
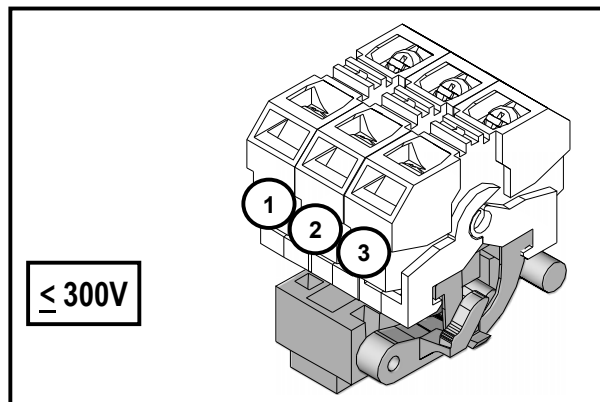
4



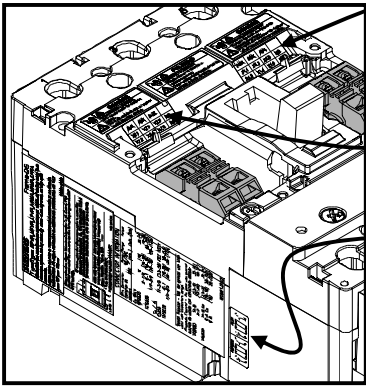
Removal [Remover]



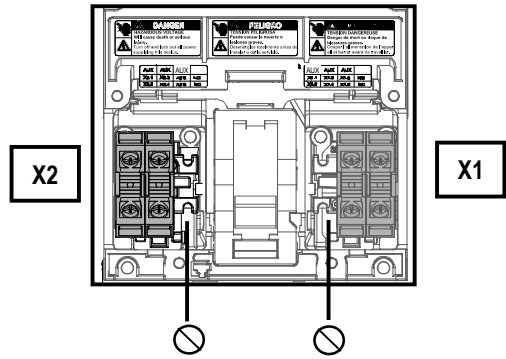
| | Auxiliary [Auxiliar] | | Alarm [Alarma] | |
|-------------------------|---------------------------|--------------|---------------------|--------------|
| | NC 1 2 | NO 3 4 | NC 5 6 | NO 7 8 |
| ON / I | | 0 | I | 0 |
| Trip [Interrumpir] | | I | 0 | I |
| OFF / O | | 0 | I | 0 |



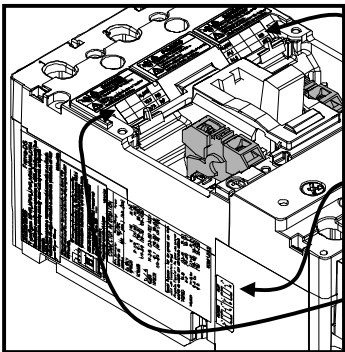
ASKL2 / 3VL9400-2AB01
AMBL1 3VL9400-2AH01



| | | | |
|-------|------|------|----|
| AUX | AUX | AUX | |
| X1.1 | X1.3 | X1.5 | NO |
| X1.2 | X1.4 | X1.6 | NC |
| AUX | AUX | AUX | |
| X2.1 | X2.3 | X2.5 | NO |
| X2.2 | X2.4 | X2.6 | NC |
| AUX | AUX | AUX | |
| X4.1 | X4.3 | X4.5 | NO |
| X4.2 | X4.4 | X4.6 | NC |
| ALARM | | AUX | |
| 5 | 7 | 1 | 3 |
| 6 | 8 | 2 | 4 |
| NC | NC | NC | NC |

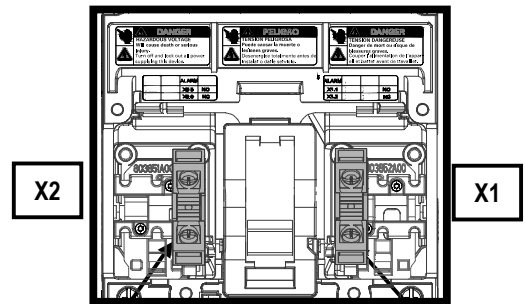


ASKL1 / 3VL9400-2AG01

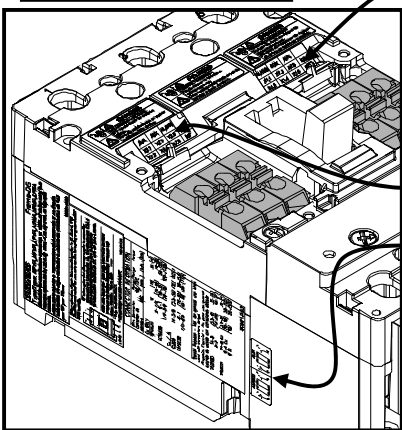


| | | | |
|-------|----|-------|----|
| ALARM | | | |
| X1.1 | | | NO |
| X1.2 | | | NC |
| ALARM | | AUX | |
| 5 | 7 | 1 | 3 |
| 6 | 8 | 2 | 4 |
| NC | NC | NC | NC |
| | | ALARM | |
| | | X2.5 | NO |
| | | X2.6 | NC |

807036C00

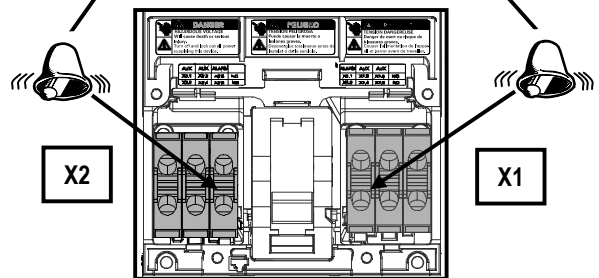


ASKL3 / 3VL9400-2AD01
AMBL2 / 3VL9400-2AJ11
AMBL3 / 3VL9400-2AJ21



| | | | |
|-------|------|-------|----|
| ALARM | AUX | AUX | |
| X1.1 | X1.3 | X1.5 | NO |
| X1.2 | X1.4 | X1.6 | NC |
| AUX | AUX | ALARM | |
| X2.1 | X2.3 | X2.5 | NO |
| X2.2 | X2.4 | X2.6 | NC |
| ALARM | | AUX | |
| 5 | 7 | 1 | 3 |
| 6 | 8 | 2 | 4 |
| NC | NC | NC | NC |

807036B00





Danger

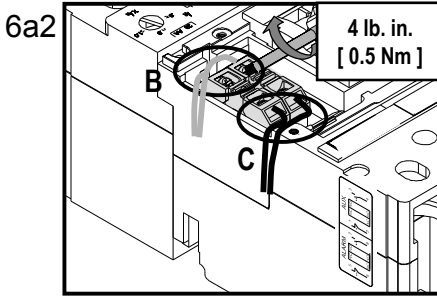
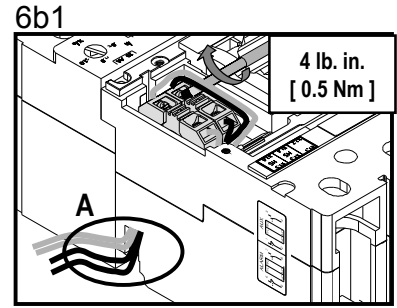
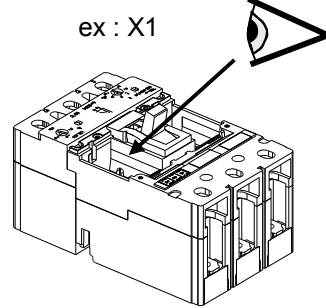
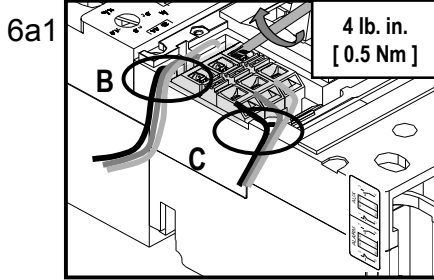
Hazardous Voltage
Will cause death or serious injury
 Turn off and lock out all power supplying this device before working on this device.
 Replace all covers before power supplying this device is turned on.

Peligro

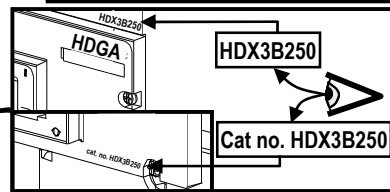
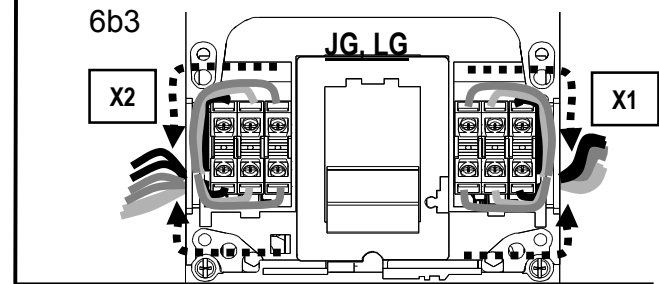
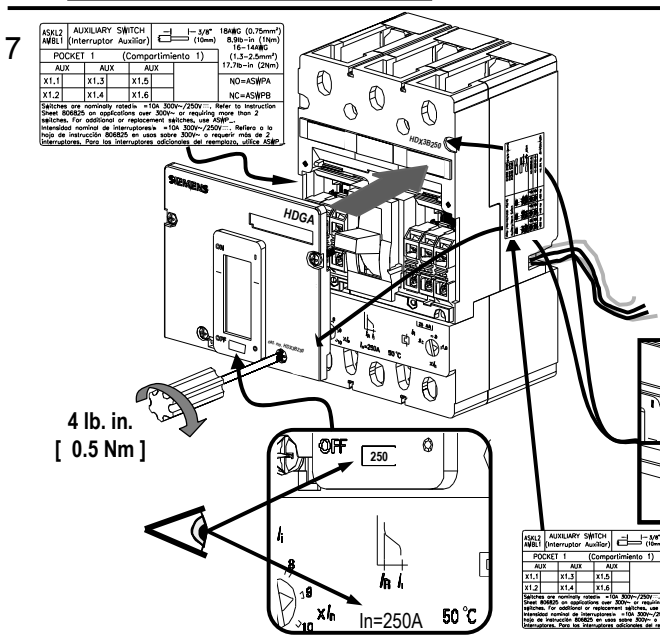
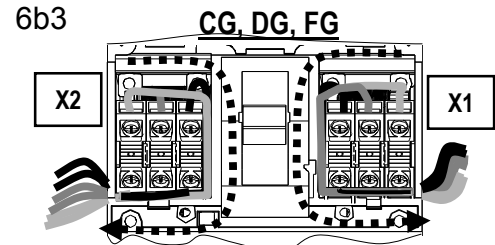
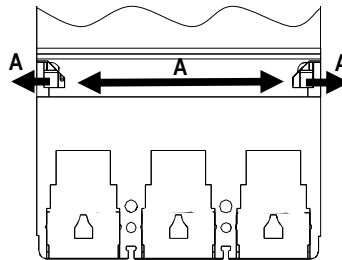
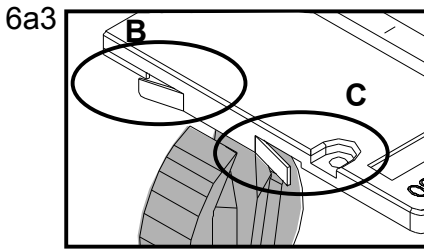
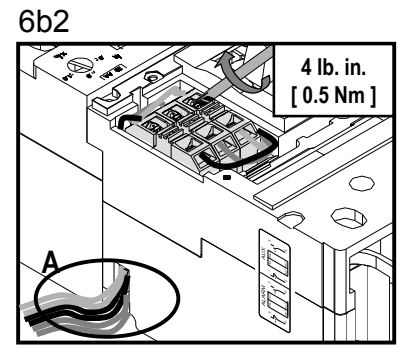
Tensión peligrosa.
Puede causar la muerte o lesiones graves.
 Desenergice totalmente antes de instalar o darle servicio.
 Reemplace todas las barreras y cubiertas antes de energizar el interruptor.

Danger!

Tension dangereuse.
Danger de mort ou risque de blessures graves.
 Couper l'alimentation de l'appareil et barrer avant de travailler.
 Remplacez tous les couverts avant que l'alimentation de pouvoir soit alimenté.



| Wire Size | A Wires [cables] | B Wires [cables] | C Wires [cables] |
|--------------------------------|------------------|------------------|------------------|
| >.38 [10mm] | | | |
| ≤14 AWG [2.5 mm ²] | — | 2 max. | 2 max. |
| ≤16AWG [1.5 mm ²] | 4 max. | 3 max. | 3 max. |
| ≤18 AWG [.75 mm ²] | 6 max. | 4 max. | 4 max. |



| POCKET 1 (Compartimiento 1) | | |
|-----------------------------|------|------|
| AUX | AUX | AUX |
| X1.1 | X1.3 | X1.5 |
| X1.2 | X1.4 | X1.6 |

NO=ASWPA
NC=ASWPB

| POCKET 1 (Compartimiento 1) | | |
|-----------------------------|------|------|
| AUX | AUX | AUX |
| X1.1 | X1.3 | X1.5 |
| X1.2 | X1.4 | X1.6 |

NO=ASWPA
NC=ASWPB

For Support in Europe refer to :

Bestell-Nr. / Order No.: 3ZX1012-0VL68-1AA6

Internet: www.siemens.de/lowvoltage/technical-assistance

GWA 4NEB 179 6825-10 DS 07

Technical Support:

Toll Free: 1-800-241-4453

Internet: www.usa.siemens.com/powerdistribution

Subject to change without prior notice

Siemens Industry, Inc., Norcross, GA 30092 U.S.A.