

Installation Instructions for 100/125 Amp Main Breaker Siemens Type EQ8681 (100A), EQ8682 (125A) and Murray Type M1 (100-125A)

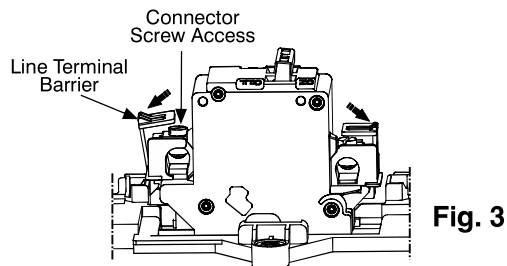
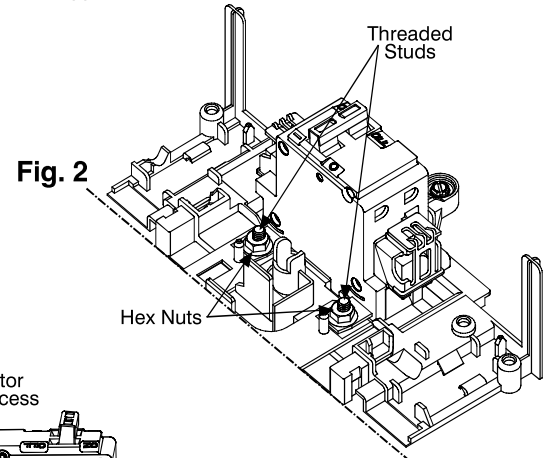
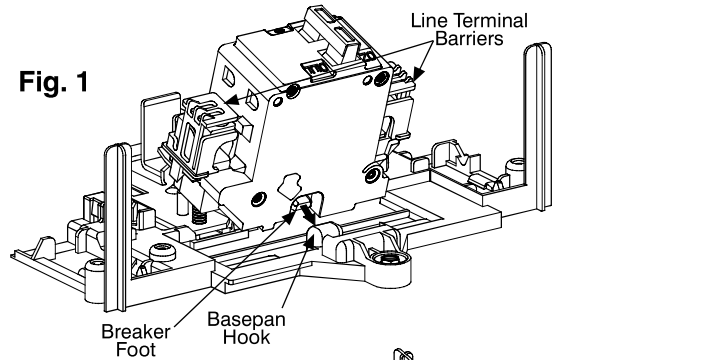
Installation Instructions

	⚠ DANGER
	Hazardous Voltage. Will cause death, serious injury or substantial property damage.
	Turn off power supplying this equipment before working inside.

Kit Contents:
(1) Circuit Breaker
(2) Hex Nuts


Note: This instruction outlines the recommended installation procedure. For installation by a qualified person, as defined by all local electrical codes and/or the National Electrical Code®.

1. Turn off and lock off the power supplying this equipment before working inside.
2. Remove Connectors from Load Center if applicable. Insert the Breaker Foot into the Basepan Hook as shown in Figure 1. Rotate the Breaker, allowing the (2) threaded studs to pass through the terminal slots as shown in Figure 2. Attach using the (2) Hex Nuts and torque to 50 lb.-in.
3. This breaker is equipped with Line Terminal Barriers. Wires can be installed with Barriers in place. Connector Screw can be tightened by pushing top of Barrier outward, exposing connector screw. If Barriers are removed, they must be re-installed before energizing.



Installation Instructions for 100/125 Amp Main Breaker Siemens Type EQ8681 (100A), EQ8682 (125A) and Murray Type M1 (100-125A)

Installation Instructions

	⚠ DANGER
	Hazardous Voltage. Will cause death, serious injury or substantial property damage.
	Turn off power supplying this equipment before working inside.

Kit Contents:
(1) Circuit Breaker
(2) Hex Nuts

Note: This instruction outlines the recommended installation procedure. For installation by a qualified person, as defined by all local electrical codes and/or the National Electrical Code®.

1. Turn off and lock off the power supplying this equipment before working inside.
2. Remove Connectors from Load Center if applicable. Insert the Breaker Foot into the Basepan Hook as shown in Figure 1. Rotate the Breaker, allowing the (2) threaded studs to pass through the terminal slots as shown in Figure 2. Attach using the (2) Hex Nuts and torque to 50 lb.-in.
3. This breaker is equipped with Line Terminal Barriers. Wires can be installed with Barriers in place. Connector Screw can be tightened by pushing top of Barrier outward, exposing connector screw. If Barriers are removed, they must be re-installed before energizing.

