


Door Mount Rotary Handle Operator

Accionamiento Giratorio de Montaje en la Puerta

Mise en marche giratoire d'assemblage dans la porte

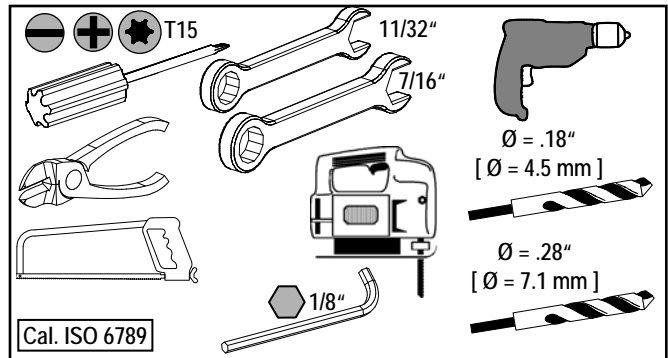
Item: RHVG1212	RHVG164X	RHVM3RH
RHVG1612	RHVGBM	RHVM4XH
RHVGS12	RHVG123R	CRHOH
RHVGS16	RHVG163R	RHOH
RHVG79H	RHVMEMH	RHOH4
RHVG124X	RHVM12H	RHVGEM123R
For Use With Frame NGG		RHVGEM163R
Para Usar Con Caja Base NGG		

Installation Instructions / Instructivo de Instalación

	 Danger	 Peligro	 Danger!
Hazardous Voltage Will cause death or serious injury	Tensión peligrosa. Puede causar la muerte o lesiones graves.	Tension dangereuse. Danger de mort ou risque de blessures graves.	
 Turn off and lock out all power supplying this device before working on this device. Replace all covers before power supplying this device is turned on.	Desenergice totalmente antes de instalar o darle servicio. Reemplace todas las barreras y cubiertas antes de energizar el interruptor.	Couper l'alimentation de l'appareil et barrer avant de travailler. Remplacez tous les couverts avant que l'alimentation de pouvoir soit alimenté.	

Use only with Siemens certified Components.
Utilizar únicamente con componentes certificados de Siemens.
A utiliser uniquement avec les composants certifiés Siemens.

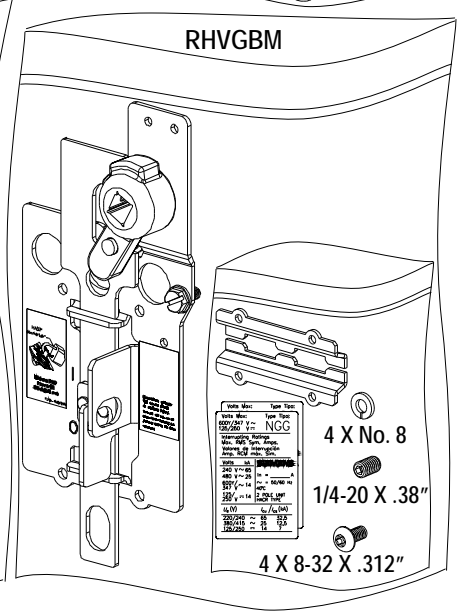
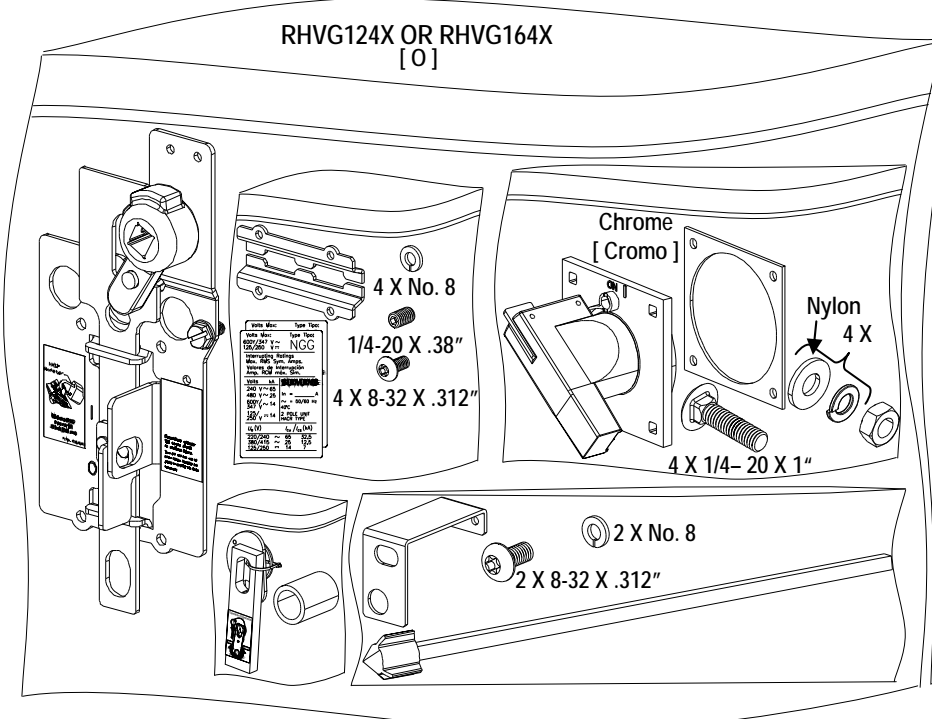
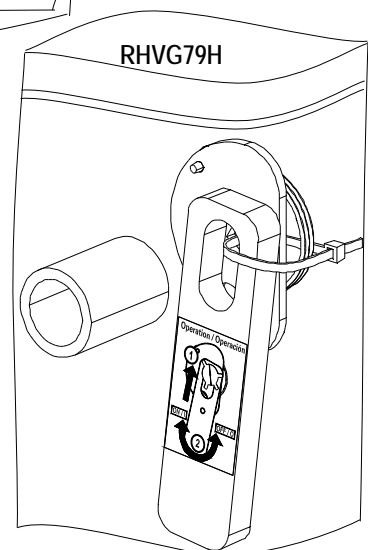
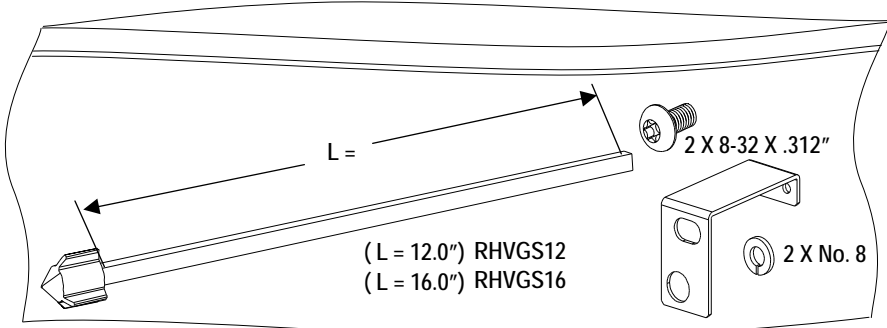
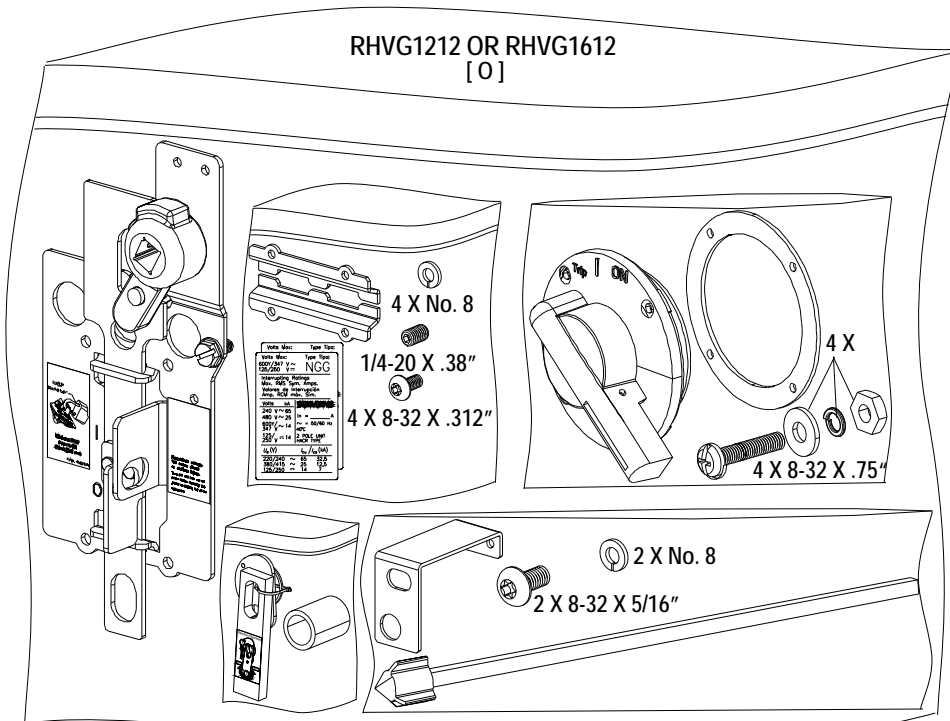
RHVG1212 RHVG1612 RHVM12H CRHOH	Suitable For Type 1 and 12 enclosures [Apto para cajas tipo 1 and 12]
RHVG123R RHVG163R RHVM3RH RHOH	Suitable For Type 1, 2, 3, 3R, 12 and 13 enclosures [Apto para cajas tipo 1, 2, 3, 3R, 12, and 13]
RHVMEMH RHVGEM123R RHVGEM163R	Suitable For Type 1, 2, 3, 3R, 12 and 13 enclosures [Apto para cajas tipo 1, 2, 3, 3R, 12, and 13]
RHVG124X RHVG164X RHVM4XH RHOH4	Suitable For Type 1, 2, 3, 3R, 4, 4X, 12 and 13 enclosures [Apto para cajas tipo 1, 2, 3, 3R, 4, 4X, 12 and 13]



NOTE - These instructions do not purport to cover all details or variations in equipment, or to provide for every possible contingency to be met in connection with installation, operation or maintenance. Should further information be desired or should particular problems arise, which are not covered sufficiently for the purchaser's purposes, the matter should be referred to the local Siemens sales office. The contents of this instruction manual shall not become part of or modify any prior or existing agreement, commitment or relationship. The sales contract contains the entire obligation of Siemens. The warranty contained in the contract between the parties is the sole warranty of Siemens. Any statements contained herein do not create new warranties or modify the existing warranty.

Trademarks - Unless otherwise noted, all names identified by ® are registered trademarks of Siemens AG or Siemens Industry, Inc.

The remaining trademarks in this publication may be trademarks whose use by third parties for their own purposes could violate the rights of the owner.





⚠ Danger

Hazardous Voltage
Will cause death or serious injury

Turn off and lock out all power supplying this device before working on this device.
Replace all covers before power supplying this device is turned on.

⚠ Peligro

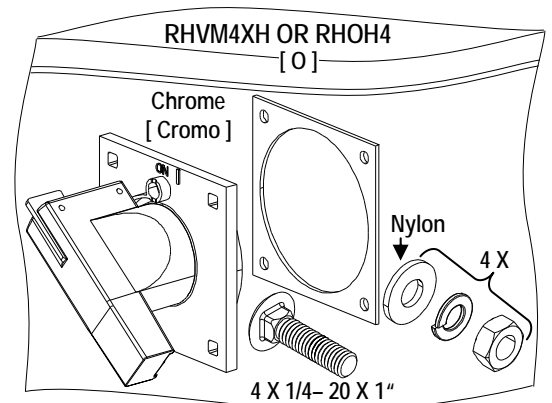
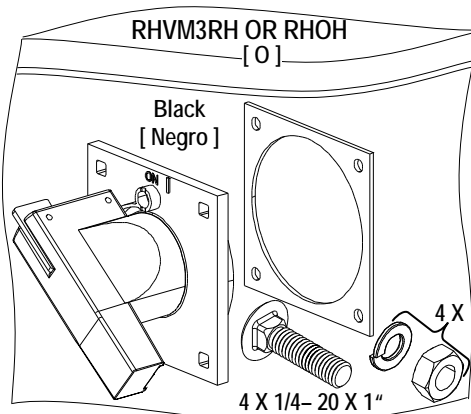
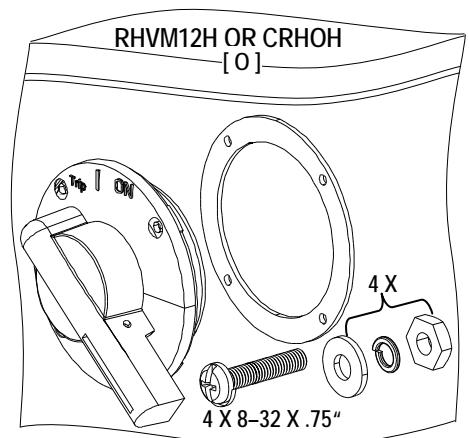
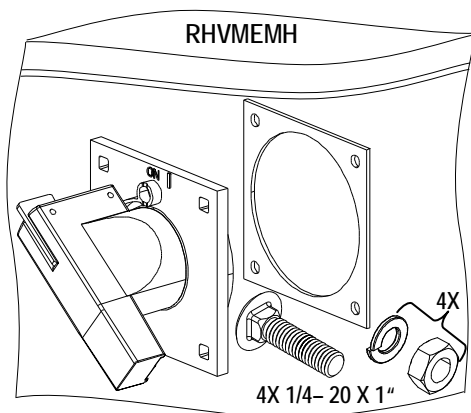
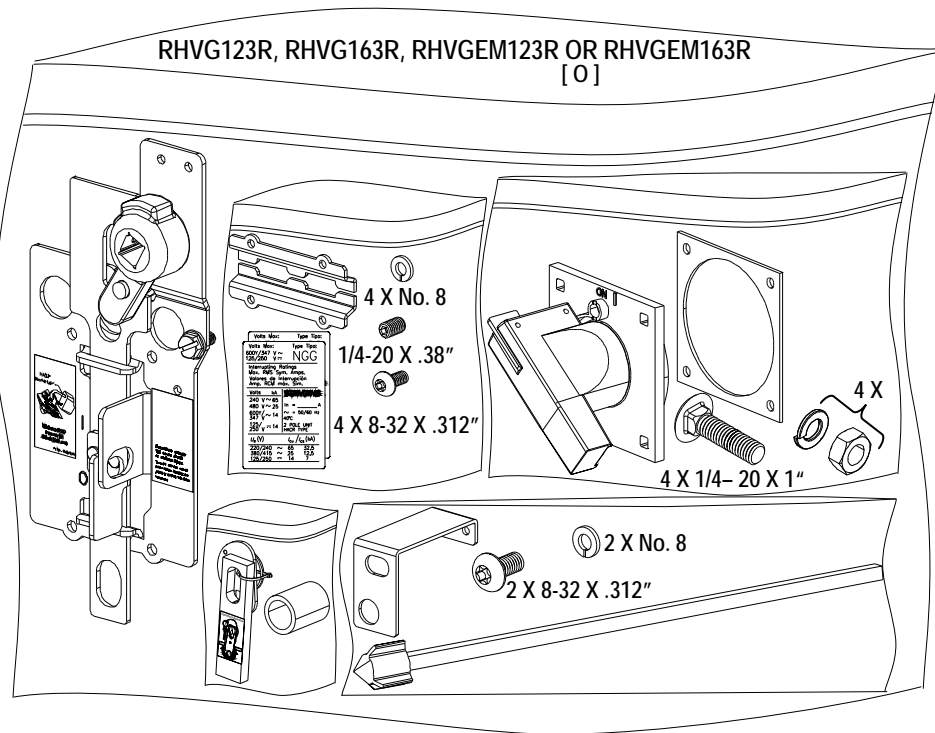
Tensión peligrosa.
Puede causar la muerte o lesiones graves.

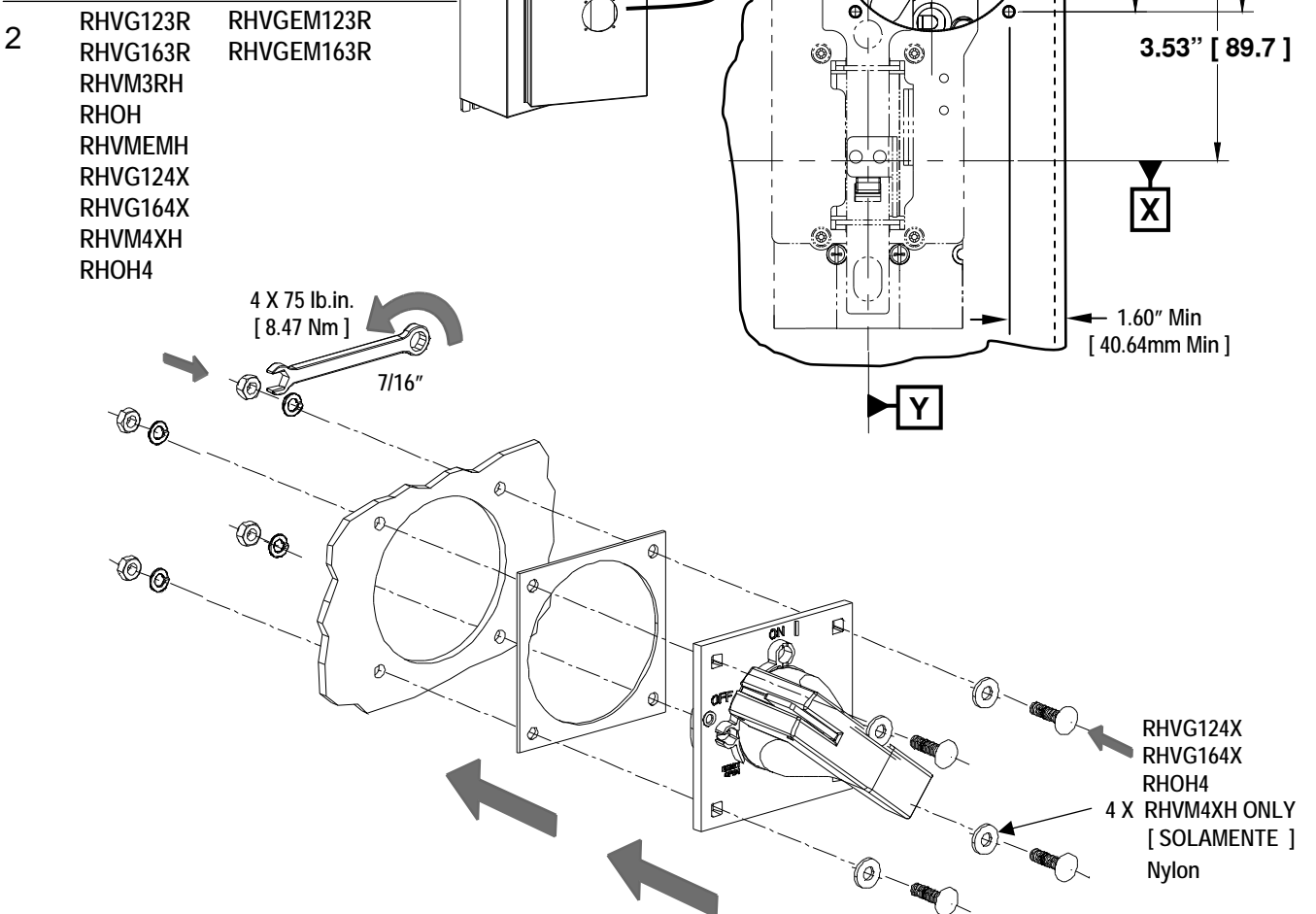
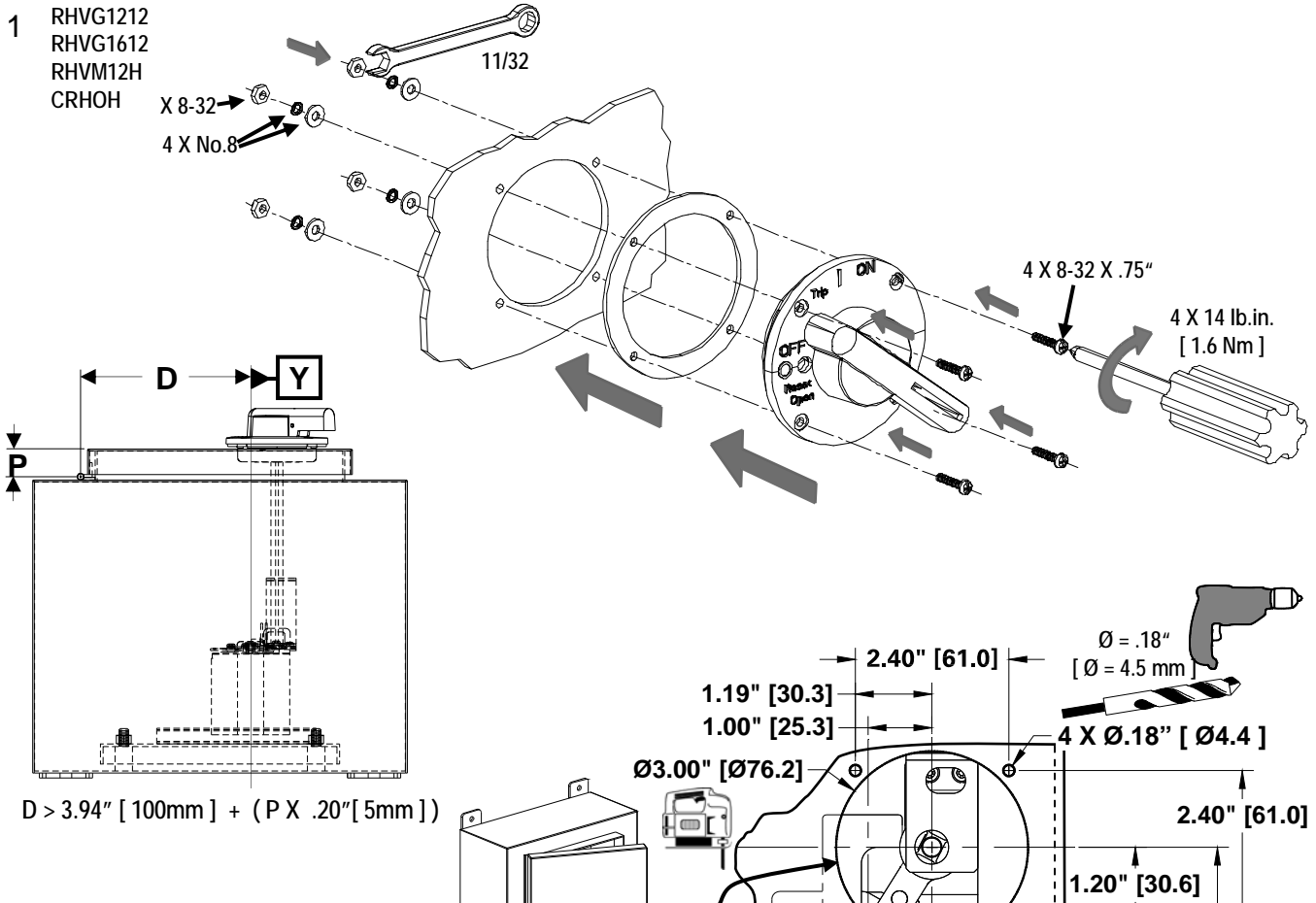
Desenergice totalmente antes de instalar o darle servicio.
Reemplace todas las barreras y cubiertas antes de energizar el interruptor.

⚠ Danger!

Tension dangereuse.
Danger de mort ou risque de blessures graves.

Couper l'alimentation de l'appareil et barrer avant de travailler.
Remplacez tous les couverts avant que l'alimentation de pouvoir soit alimenté.







⚠ Danger

Hazardous Voltage
Will cause death or serious injury

Turn off and lock out all power supplying this device before working on this device.
Replace all covers before power supplying this device is turned on.

⚠ Peligro

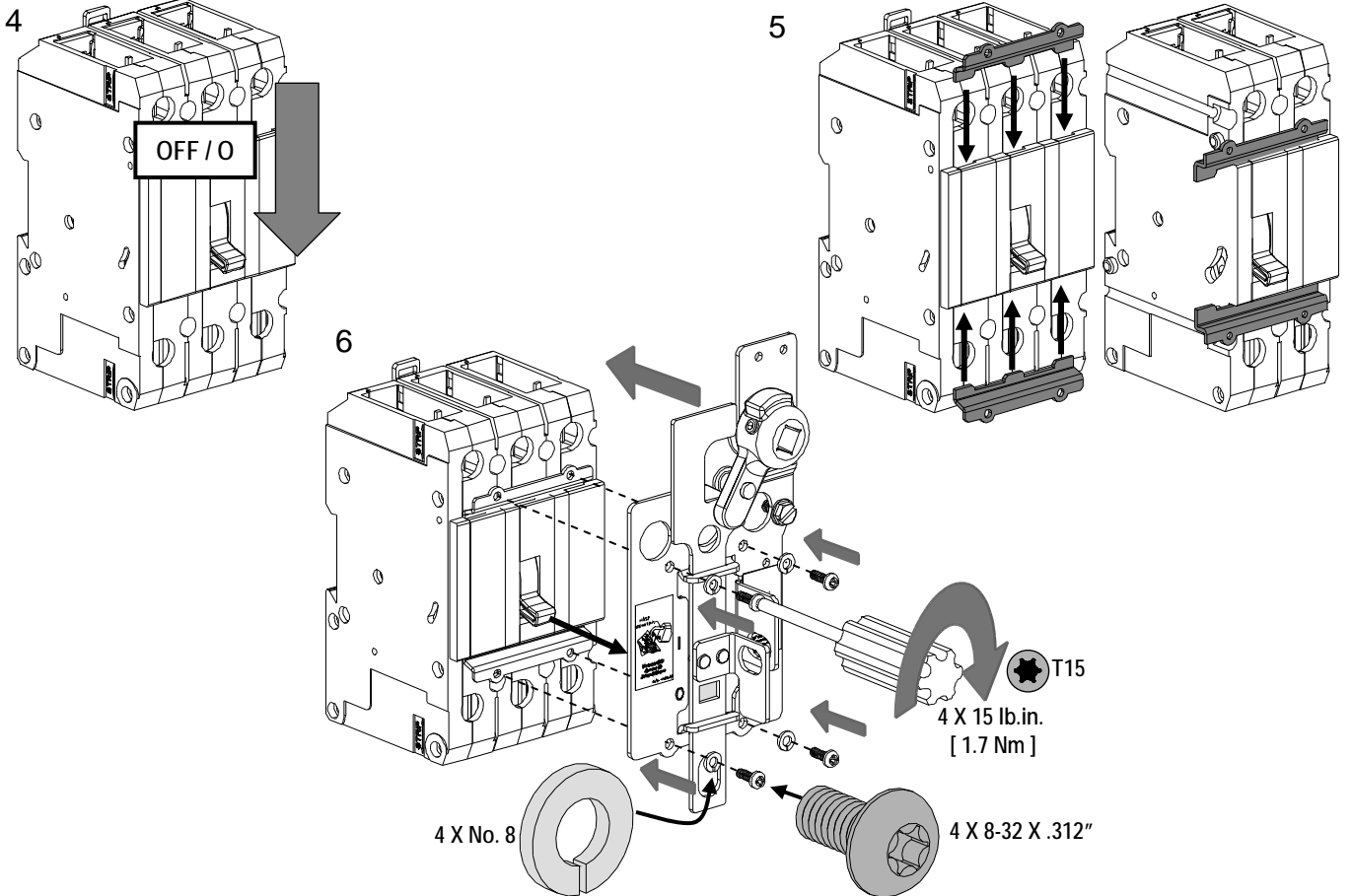
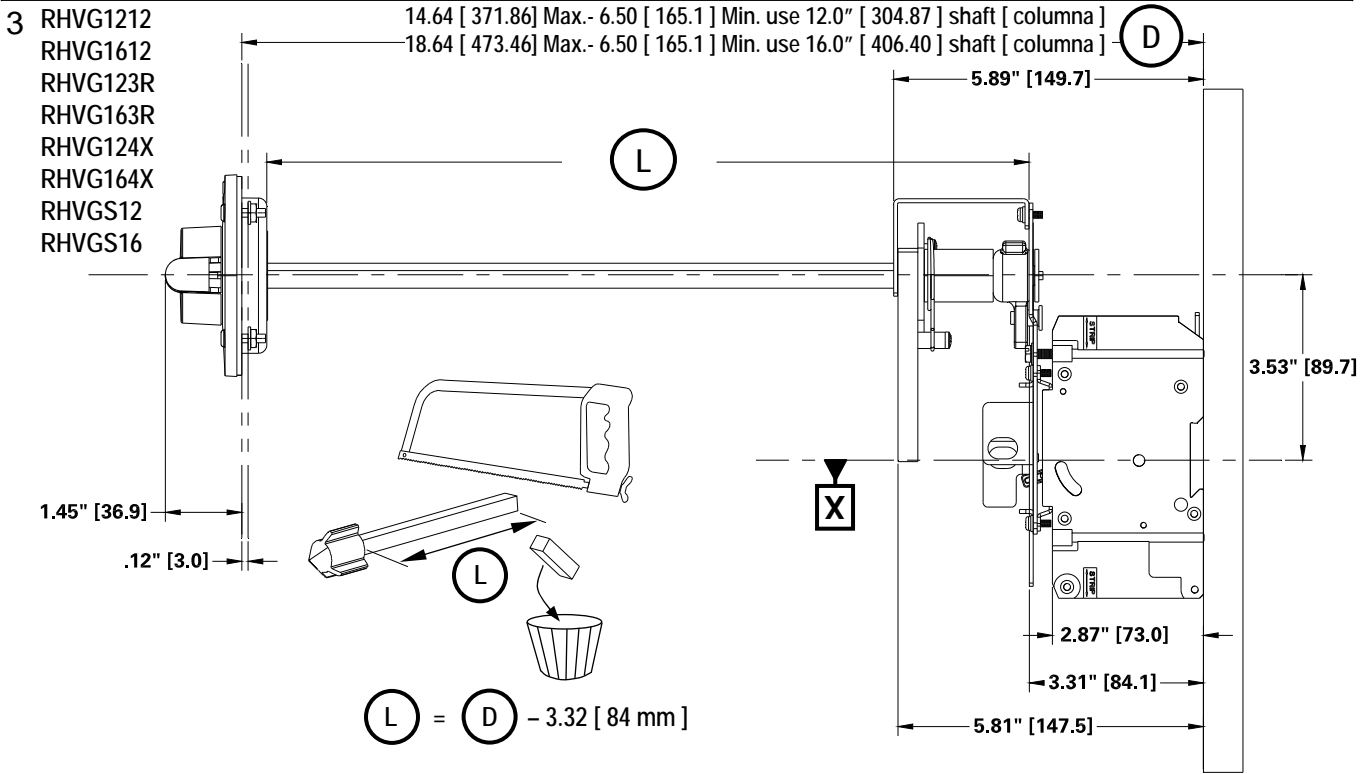
Tensión peligrosa.
Puede causar la muerte o lesiones graves.

Desenergice totalmente antes de instalar o darle servicio.
Reemplace todas las barreras y cubiertas antes de energizar el interruptor.

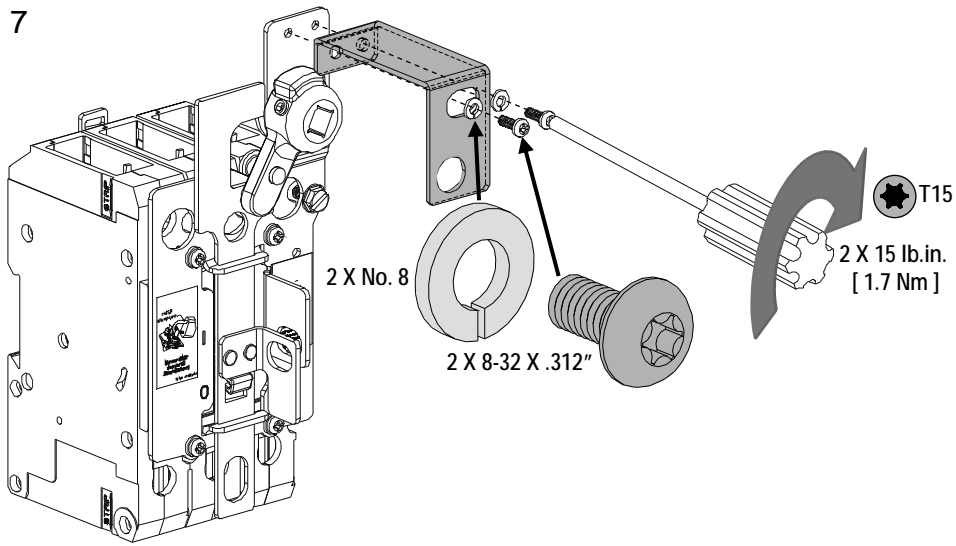
⚠ Danger!

Tension dangereuse.
Danger de mort ou risque de blessures graves.

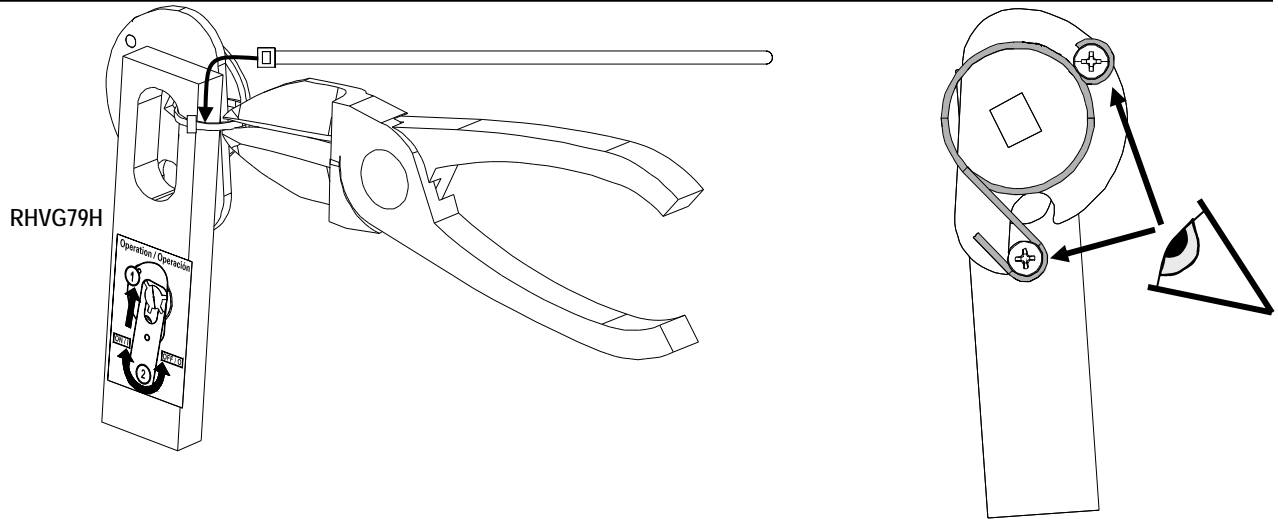
Couper l'alimentation de l'appareil et barrer avant de travailler.
Remplacez tous les couverts avant que l'approvisionnement de pouvoir soit alimenté.



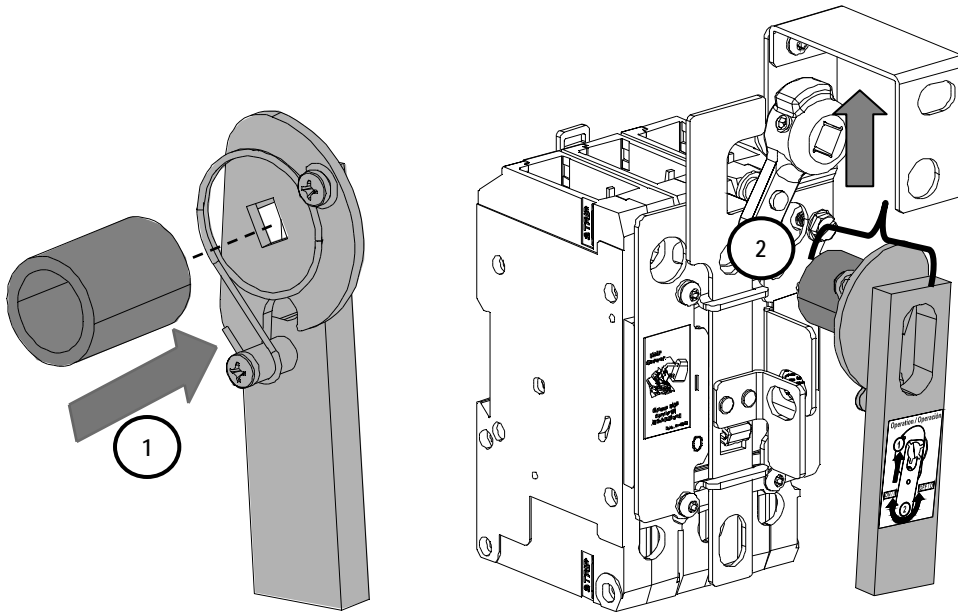
7



8



9





Danger

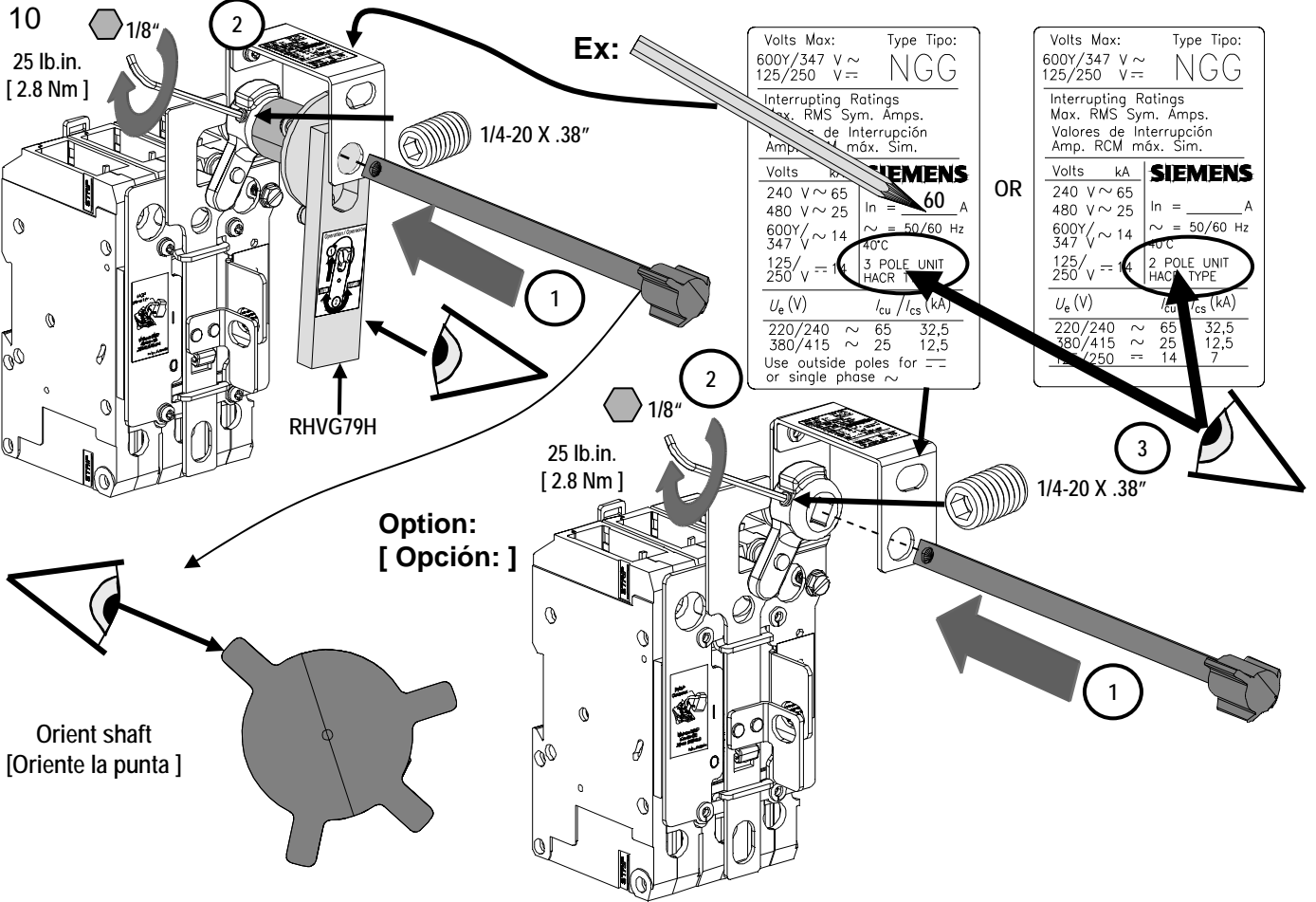
Hazardous Voltage
 Will cause death or serious injury
 Turn off and lock out all power supplying this device before working on this device.
 Replace all covers before power supplying this device is turned on.

Peligro

Tensión peligrosa.
 Puede causar la muerte o lesiones graves.
 Desenergice totalmente antes de instalar o darle servicio.
 Reemplace todas las barreras y cubiertas antes de energizar el interruptor.

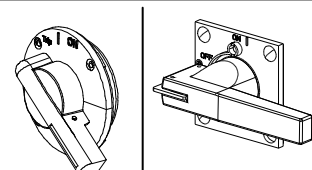



Danger!

Tension dangereuse.
 Danger de mort ou risque de blessures graves.
 Couper l'alimentation de l'appareil et barrer avant de travailler.
 Remplacez tous les couverts avant que l'alimentation de pouvoir soit alimenté.

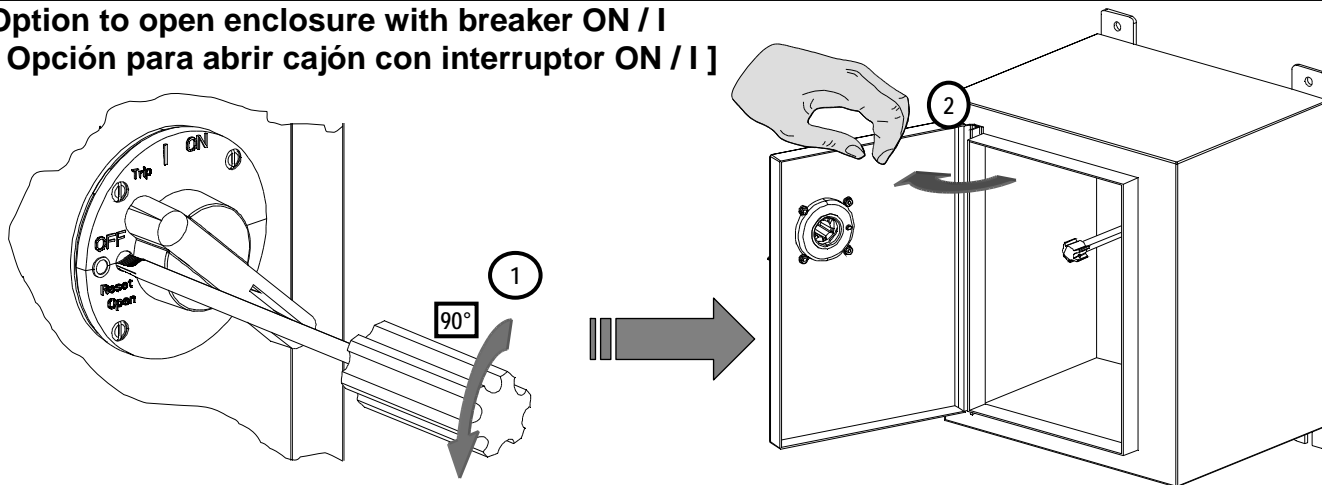


Test: [Prueba:]	Step [Paso]		Result [Resultado]		Step [Paso]
	Image 1	Image 2	Open [Abierta]	Closed [Cerrados]	
11					11b
11a	OFF / O	Reset [Restablecer]	5 lbf [22 N]		Call Technical Support [Llamar a Soporte Técnico]
11b	ON / I	5 lbf [22 N]			Finished / Ready [Terminado / Listo]
					Call Technical Support [Llamar a Soporte Técnico]

Test:
[Prueba:]
12

	Result [Resultado]	Step [Paso]
		Finished / Ready [Terminado / Listo]
		Call Technical Support [Llamar a Soporte Técnico]

Option to open enclosure with breaker ON / I
[Opción para abrir cajón con interruptor ON / I]



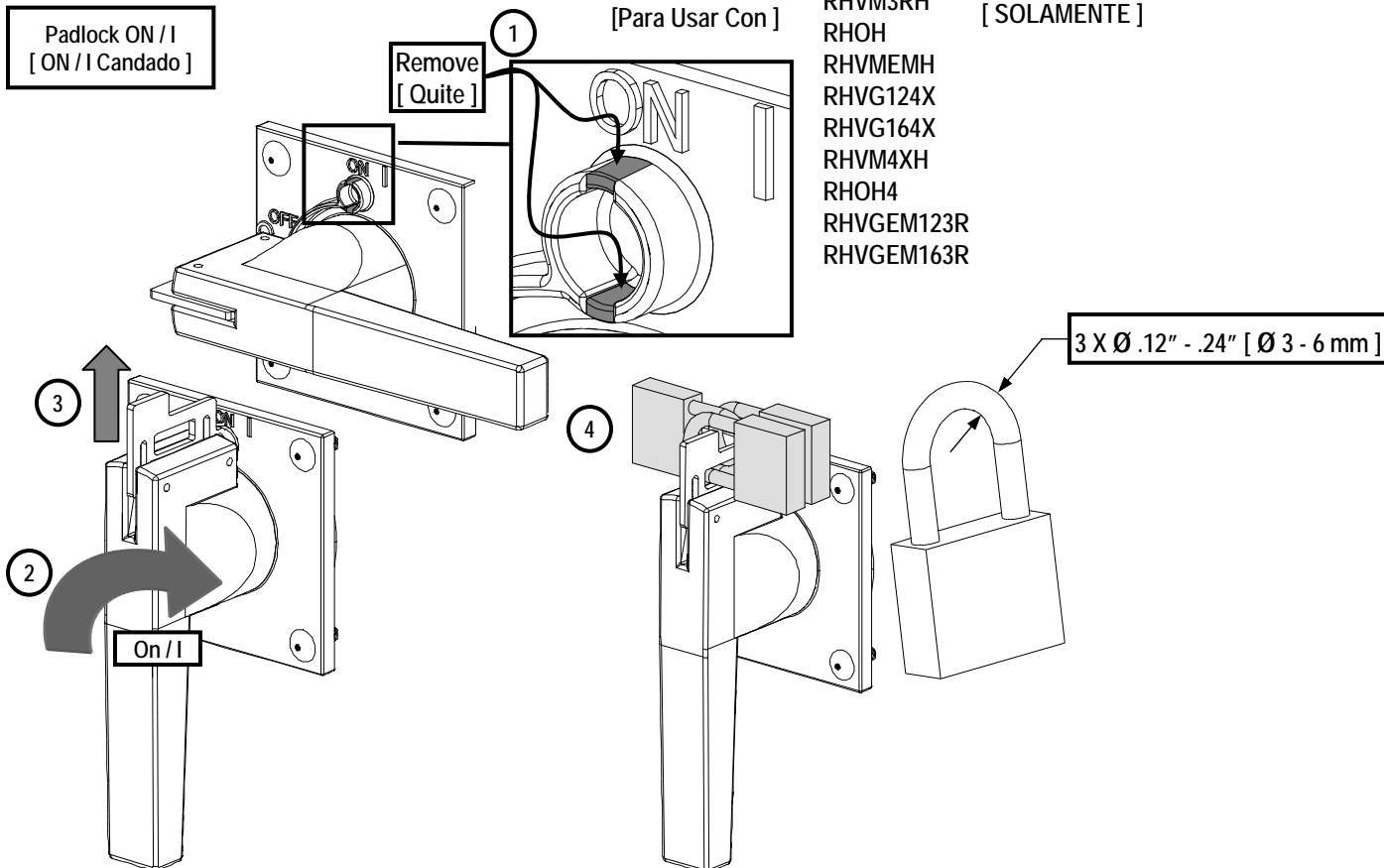
Option:
[Opción:]

Padlock ON / I
[ON / I Candado]

For Use With
[Para Usar Con]

ONLY
[SOLAMENTE]

- RHVG123R
- RHVG163R
- RHVM3RH
- RHOH
- RHVMEMH
- RHVG124X
- RHVG164X
- RHVM4XH
- RHOH4
- RHVGEM123R
- RHVGEM163R





Danger

Hazardous Voltage
Will cause death or serious injury

Turn off and lock out all power supplying this device before working on this device.
Replace all covers before power supplying this device is turned on.

Peligro

Tensión peligrosa.
Puede causar la muerte o lesiones graves.

Desenergice totalmente antes de instalar o darle servicio.
Reemplace todas las barreras y cubiertas antes de energizar el interruptor.

Danger!

Tension dangereuse.
Danger de mort ou risque de blessures graves.

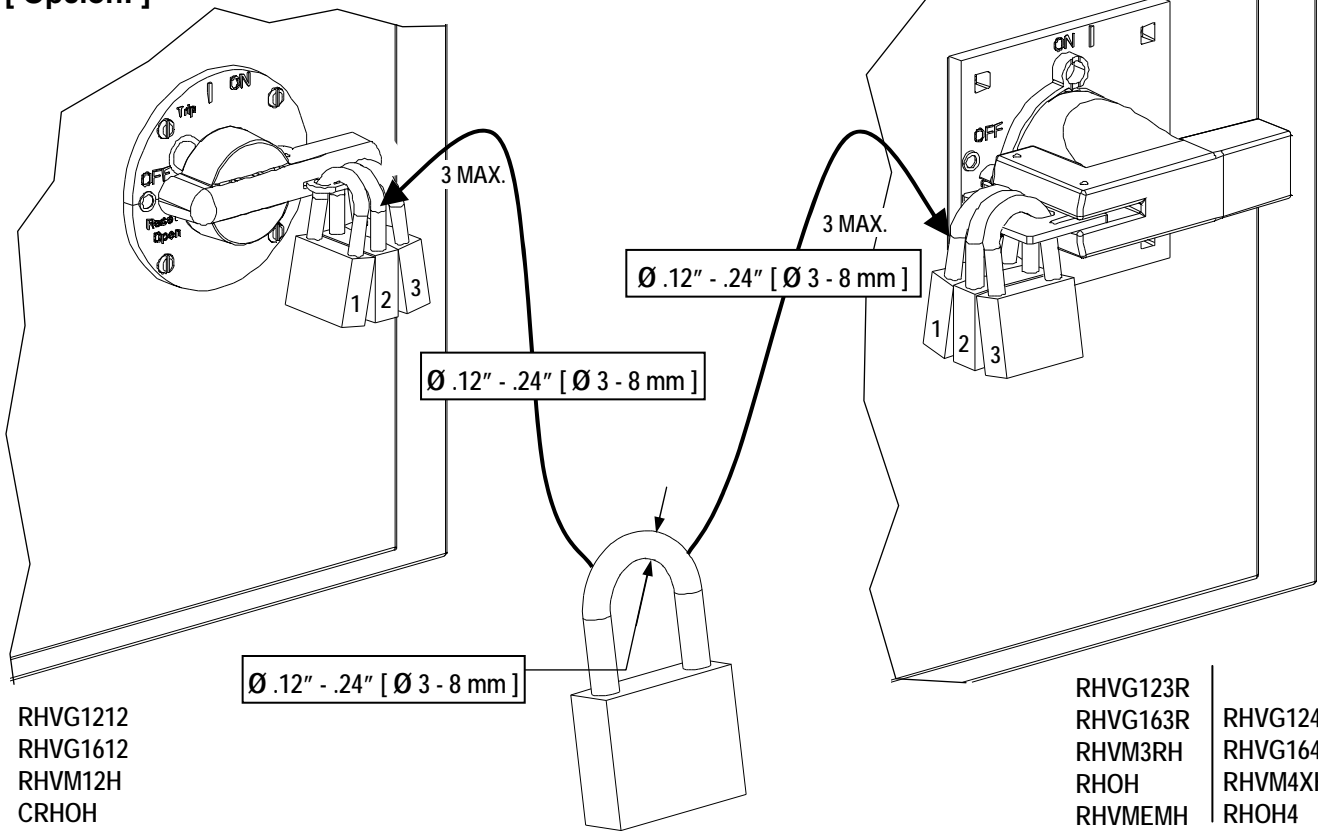
Couper l'alimentation de l'appareil et barrer avant de travailler.
Remplacez tous les couverts avant que l'alimentation de pouvoir soit alimenté.

Option:

[Opción:]

OFF / 0

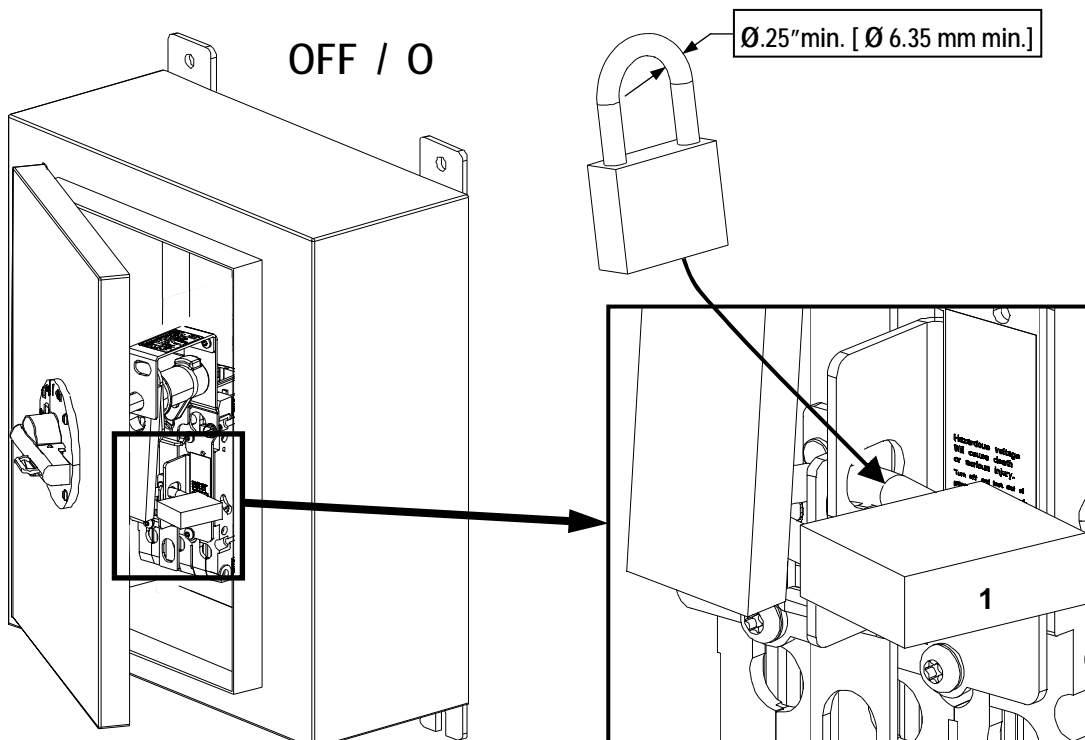
OFF / 0



RHVG1212
RHVG1612
RHVM12H
CRHOH

RHVG123R
RHVG163R
RHVM3RH
RHOH
RHVMEMH

RHVG124X
RHVG164X
RHVM4XH
RHOH4



RHVGBM
RHVG1212
RHVG1612
RHVM12H
CRHOH
RHVG123R
RHVG163R
RHVM3RH
RHOH
RHVMEMH
RHVG124X
RHVG164X
RHVM4XH
RHOH4
RHVGEM123R
RHVGEM163R

Technical Support:

Toll Free: 1-800-241-4453

Internet: www.usa.siemens.com/powerdistribution

Subject to change without prior notice
Siemens Industry, Inc., Norcross, GA 30092 U.S.A.