

9. Reference fig. 9 - Installing the neutral lug assembly (item 13). The branch neutral can be mounted at the bottom of the z-rails or mirrored to the top depending upon the feed location. The neutral lug assembly (item 13) can be mounted (as shown) on either side of the branch neutral depending on feed location. Torque all hardware as specified on the rear of the deadfront.

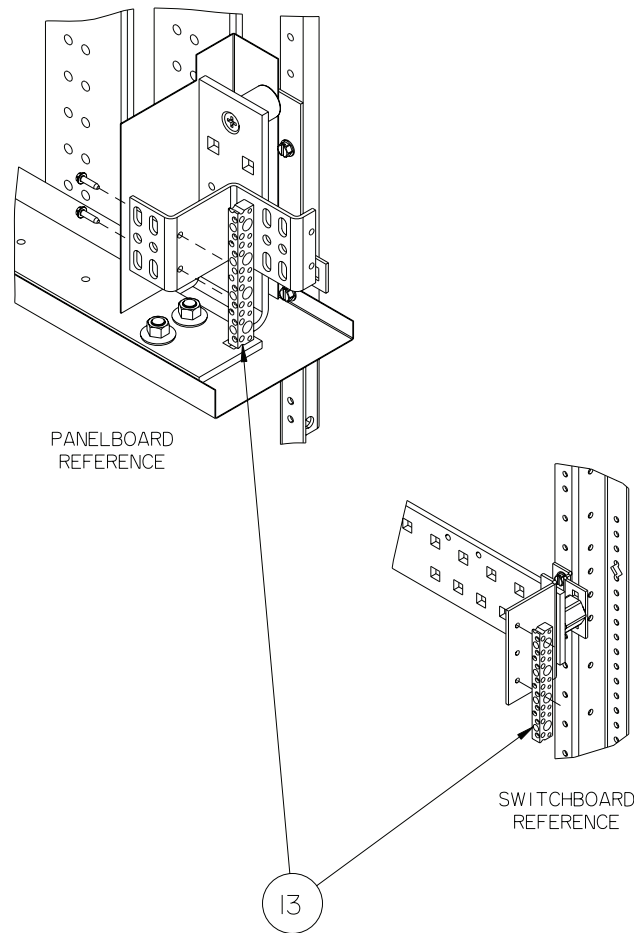


Figure 9

10. Install the 3.75" EB cover plate (item 7), use the blank filler (item 14) to cover empty circuit breaker slots. Reinstall the deadfront using the breaker cover plate supplied with this kit. Other cover plates may be required for proper fit. See filler plate kits listed on the rear of the deadfront.

Switchboard/Powerpanel Kit SEB/SEBD for Branch Mounting Type EB Circuit Breakers

Installation
Instructions

Installation Instructions

The following instructions are for the installation of Siemens EB circuit breakers in switchboard or shallow/deep panelboards applications. This kit will require 3-3/4" of unit space. The parts provided in this kit are for connections to a 3 phase / 3 wire or 3 phase / 4 wire system.



1. Lock off power supplying this equipment before working on it.
2. Reference fig. 1 - Remove the (2) gutter covers and cover plates.

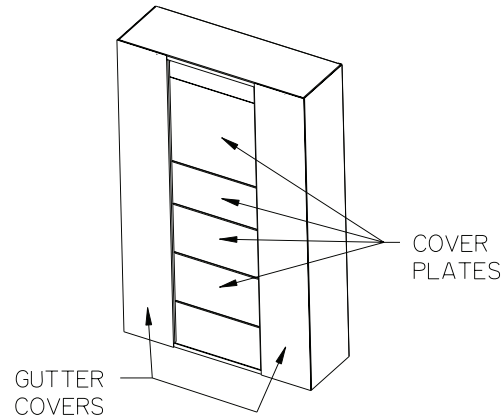


Figure 1

3. Reference fig. 2 - To mount an EB circuit breaker, 3-3/4" of empty unit space is required. To locate the mounting position, measure from the top deadfront support to the top of the empty unit space filler on the deadfront. Transfer this dimension from the deadfront support along the z-rail and mark. This will be the unit space as shown on fig. 4. After marking the z-rail, remove the deadfront.

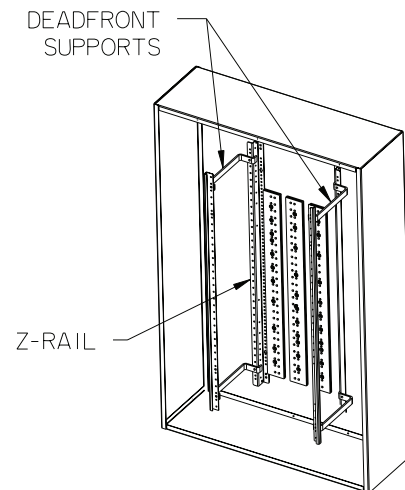


Figure 2

4. Open the shipping box and check the hardware against the following list:

ITEM	DESCRIPTION	QTY.
1	EB 'A/C' PHASE BRANCH BUS	2
2	EB 'B' PHASE BRANCH BUS	1
3	EB MOUNTING BRACKET	2
4	CARD HOLDER	6
5	1/4-20 X 5/8" SHWHSW	6
6	1/4-20 X 3/8" SHWHSW	2
7	3.75" EB COVER PLATE	1
8	BARRIER	2
9	CIRCUIT ID CARD	6
10	LINE CONNECTOR	3
11	10-24 X 1/2" SHWHSW	6
12	STRAP - SECTION BUS HARDWARE KIT	1
13	NEUTRAL LUG ASSEMBLY	1
14	BLANK FILLER	6
15	10-24 X 5/8" SHWHSW	6
16	8-32 X 3/8" HWHS	6
17	MOUNTING BARRIER	2
18	BOX	1
19	CARTON LABEL	1

5. Reference fig. 4 - Installing the branch bus. Locate two 0.228" diameter holes in the Aø bus 1-1/4" down from the top of the 3-3/4" empty unit space selected. Insert two 1/4-20 thread-forming screws (see mounting hardware kit instructions located in item 12 for the proper length) through two 0.281" diameter holes in the A/C strap (item 1) and into the two selected holes in the Aø bus (orienting the A/C strap as shown) and tighten. Repeat this step to mount the second branch to the Cø bus using two 0.228" diameter holes 1-1/4" down from the holes used on the Aø bus and tighten. Insert two more 1/4-20 thread-forming screws through the 0.281" diameter holes in the Bø strap (item 2) and into the 0.228" holes located in the Bø bus, 1-1/4" down from the top of the 3-3/4" empty unit space used on the Aø bus (orienting the Bø strap as shown) and tighten. Torque all hardware as specified on the rear of the deadfront.

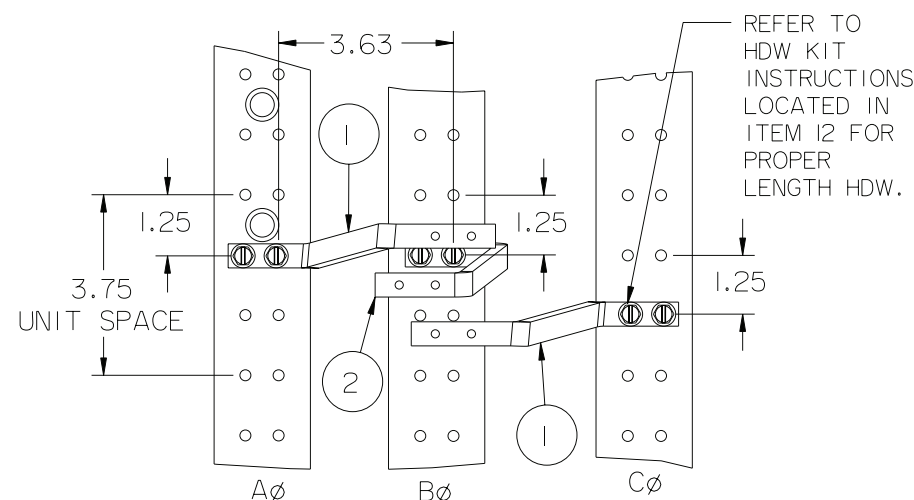


Figure 4

6. Reference fig. 5 - Assembling the mounting bracket. Locate a 0.228" diameter hole in the left z-rail 5/8" below the top of the empty unit space selected. Insert two 1/4-20 X 5/8" screws (item 5) through the ø0.312 hole in a mounting bracket (item 3) and into the selected hole in the z-rail (orienting the barrier as shown) and tighten. Repeat this step for the second mounting bracket. Torque all hardware as specified on the rear of the deadfront.

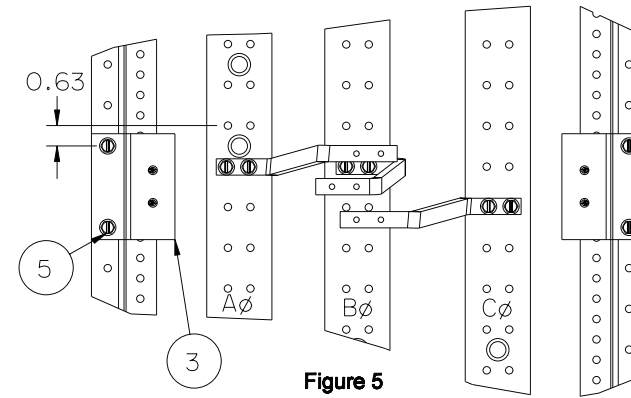


Figure 5

SCREWS AND #6 SCREW CLIPS ARE SUPPLIED WITH EB CIRCUIT BREAKERS. #6 SCREW CLIPS ARE USED WITH 1-POLE BREAKERS

8. Reference figs. 7 - Installing an EB circuit breaker. Place the Mounting Barrier (item 17) between load side of EB breaker and EB mounting bracket. Align the EB circuit breaker mounting holes with the corresponding holes in the mounting barrier (item 17) and mounting holes in the mounting bracket (item 3) and secure the outer screws (supplied with circuit breaker) to the mounting bracket (item 3). Align the breaker line side connectors with the line connectors (item 10). Insert a 10-24 X 5/8" screw (item 11) into the 0.203" diameter hole in the metal contact on the line side of the circuit breaker. Repeat this step for mounting the rest of the hardware. This step can be repeated or mirrored for additional circuit breakers. Torque all hardware as specified on the rear of the deadfront.

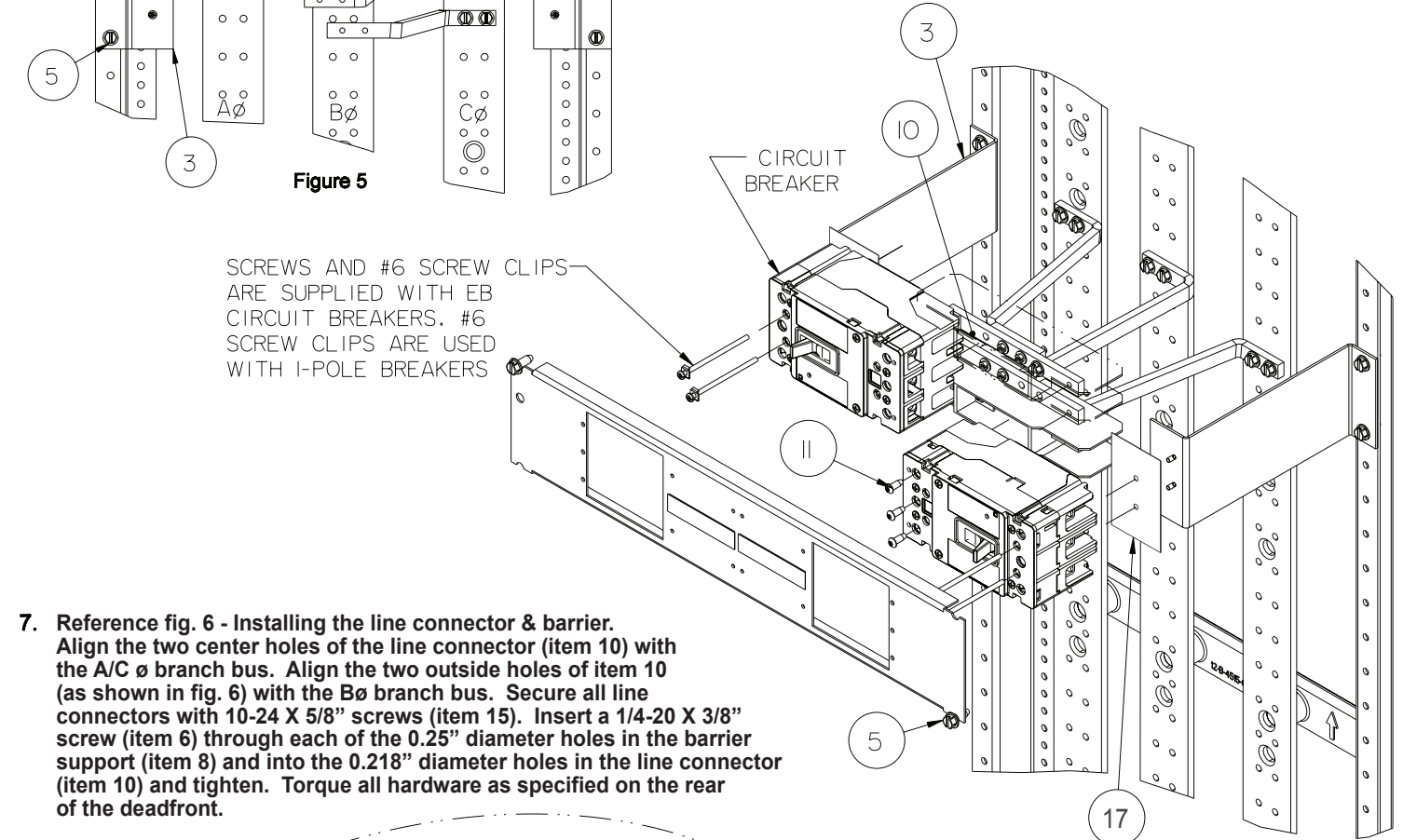


Figure 7

7. Reference fig. 6 - Installing the line connector & barrier. Align the two center holes of the line connector (item 10) with the A/C ø branch bus. Align the two outside holes of item 10 (as shown in fig. 6) with the Bø branch bus. Secure all line connectors with 10-24 X 5/8" screws (item 15). Insert a 1/4-20 X 3/8" screw (item 6) through each of the 0.25" diameter holes in the barrier support (item 8) and into the 0.218" diameter holes in the line connector (item 10) and tighten. Torque all hardware as specified on the rear of the deadfront.

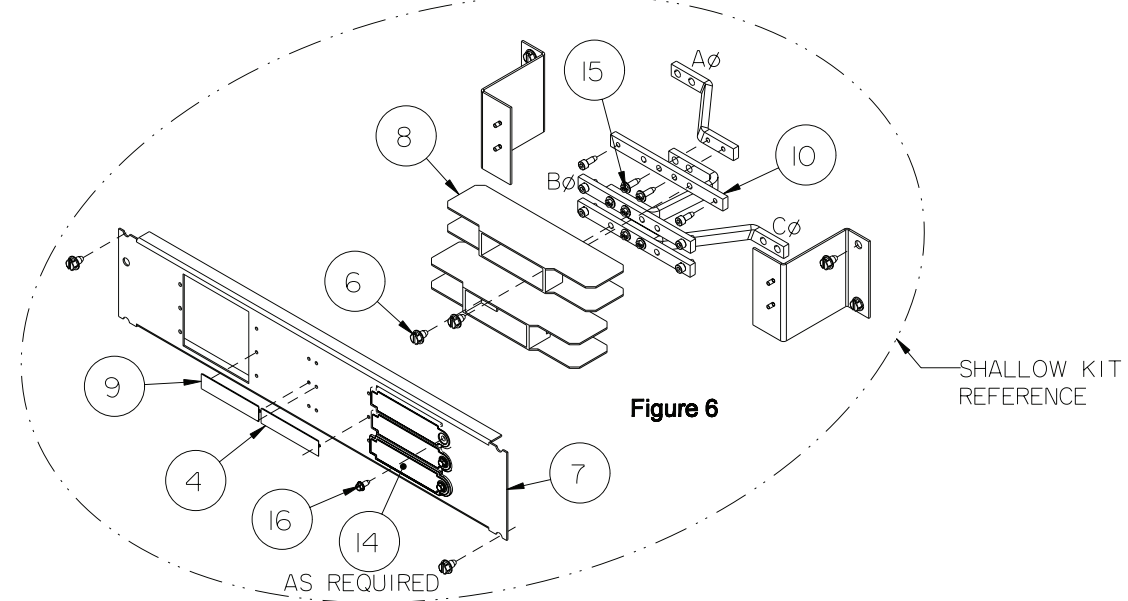


Figure 6