

10. Reinstall the dead front using the breaker cover plate supplied with this kit. Other filler plates may be required for proper fit. See filler plate kits listed on the rear of the dead front.

SIEMENS

Distribution Panel Kit SJ1/SSJ1/SL6/SSL6 for Branch Mounting Type JD/SJD/LD/SLD Breakers

Installation
Instructions

Installation Instructions

The following instructions are for the installation of Siemens class JD/SJD/LD/SLD breakers in shallow panelboards. This kit will require 8-3/4" of unit space. The parts provided in this kit are for connections to a 3 phase / 3 wire or 3 phase / 4 wire system.



DANGER

**Hazardous voltage.
Will cause death or
serious injury.**

Keep out.
Qualified personnel only.
Disconnect and lock off all
power before working on this
equipment.

1. Lock off power supplying this equipment before working on it.
2. Reference fig. 1 - Remove the (2) gutter covers and cover plates.

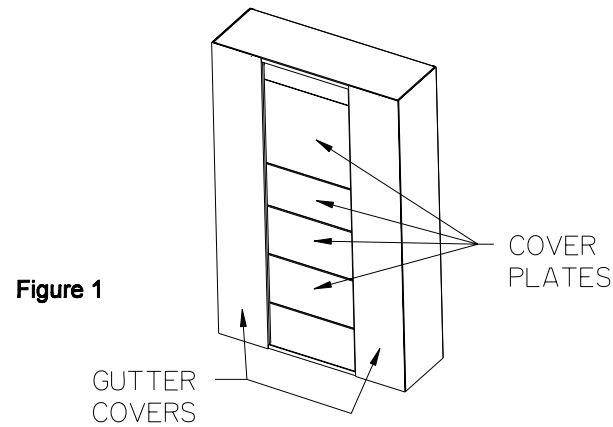


Figure 1

3. Reference fig. 2 - To mount the breaker, 8-3/4" of empty unit space is required. To locate the mounting position, measure from the top dead front support to the top of the empty unit space filler on the dead front. Transfer this dimension from the dead front support along the Z-rail and mark. This will be the unit space as shown on Fig. 6. After marking the Z-rail, remove the dead front.

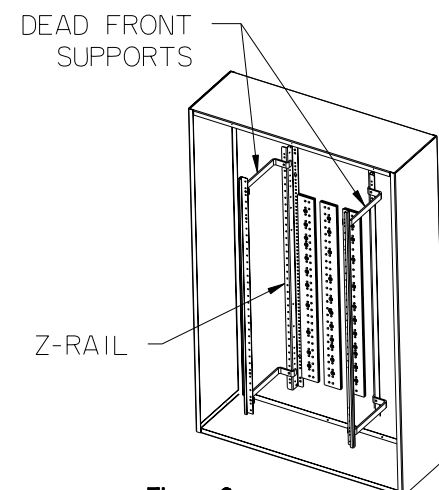


Figure 2

4. Open the shipping box and check the hardware against the following list.

ITEM	DESCRIPTION	QTY.
1	BREAKER INSTALL. INSTR.	1
2	STRAP SUPPORT BARRIER	1
3	LONG PHASE CONNECTOR	1
4	MEDIUM PHASE CONNECTOR	1
5	SHORT PHASE CONNECTOR	1
6	STRAP - SECTION BUS HARDWARE KIT	1
7	BREAKER MOUNTING BRACKET	1
8	BREAKER COVER PANEL	1
9	CARD HOLDER	1
10	CIRCUIT ID CARD	1
11	1/4-20 X 3/8" SHWHSW	2
12	1/4-20 X 1/2" SHWHSW	4
13	1/4-20 X 9/16" SHWHSW	2
14	1/4-20 X 2-3/4" SRHMS THD FORMING	2
15	5/16-18 x 1-1/8" HWHSW SEMS	3
16	NEUTRAL LUG ASSEMBLY	2
17	BOX	1
18	CARTON LABEL	1

5. Reference fig. 4 - Installing the Phase Connectors. Align the two square holes in the Long Phase Connector (item 3) over the two snaps on the Strap Support Barrier (item 2) and press down latching the Phase Connector in place upon the Barrier. Repeat this step for the Medium Phase Connector (item 4).

NOTE: Assembly may be flipped for right feed applications.

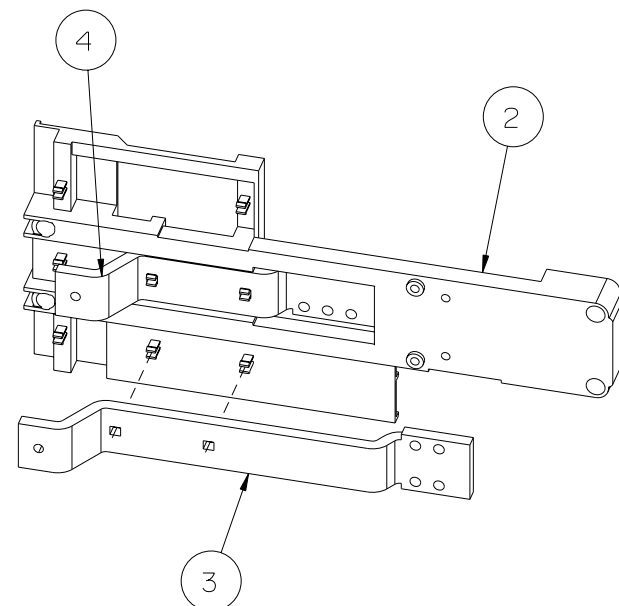


Figure 4

6. Reference fig. 5 - Install the Breaker Mounting Bracket. Insert one 1/4-20 X 9/16" screw (item 13) through each of the two 0.438" diameter holes in the Breaker Mounting Bracket (item 7) and into the threaded inserts on the Strap Support Barrier and tighten.

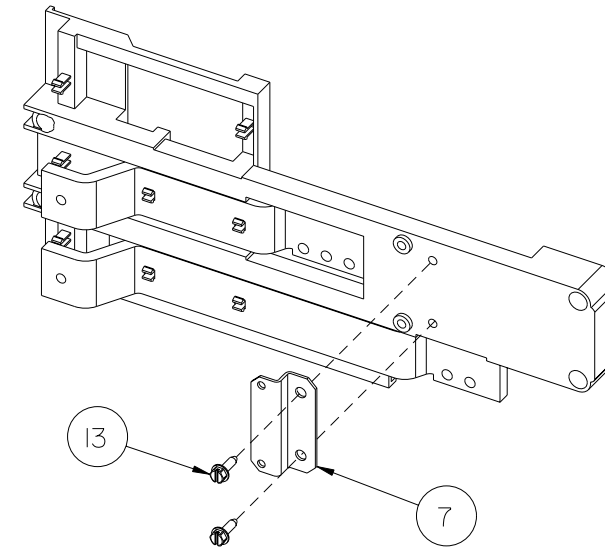


Figure 5

7. Reference fig. 6 - Installing the Support Barrier assembly. Locate a 0.228" diameter hole on each Z-rail 3-1/8" down from the top of the 8-3/4" unit space selected in Step 3. Insert one 1/4-20 X 1/2" screw (item 12) through the top mounting hole at each end of the Support Barrier and into the selected holes on the Z-rails. Repeat this step and install one 1/4-20 X 1/2" screw into each of the bottom holes of the Support Barrier. Install the Short Phase Connector (item 5) by guiding the end with four holes through Support Barrier aligning the other end with the Medium Phase Connector. Insert four 1/4-20 thread forming screws (see the Section Bus Hardware Kit for the proper length) through the four 0.312" diameter holes on the Short Phase Connector and into the 0.228" diameter holes on the AØ bus and tighten. Repeat this step for mounting the Medium and Long Phase Connectors to the BØ and CØ buses respectively. Torque all hardware as specified on the rear of the deadfront.

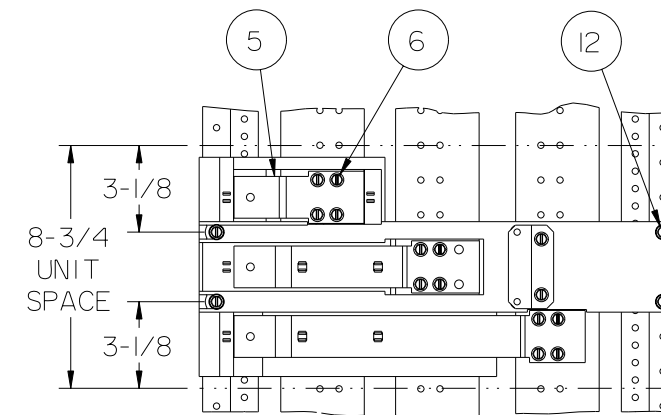


Figure 6

8. Reference fig. 7 - Install the circuit breaker. Insert one 5/16-18 x 1-1/8" machine screw (item 15) through each of the three contacts on the line side of the breaker and into the 0.228" diameter holes at the end of the three Phase Connectors. Insert two 1/4-20 X 2-3/4" thread forming screws (item 14) into the two mounting holes at the load side of the breaker and into the two 0.228" diameter holes in the breaker mounting bracket and tighten. Torque all connections to the values specified on the rear of the dead front.

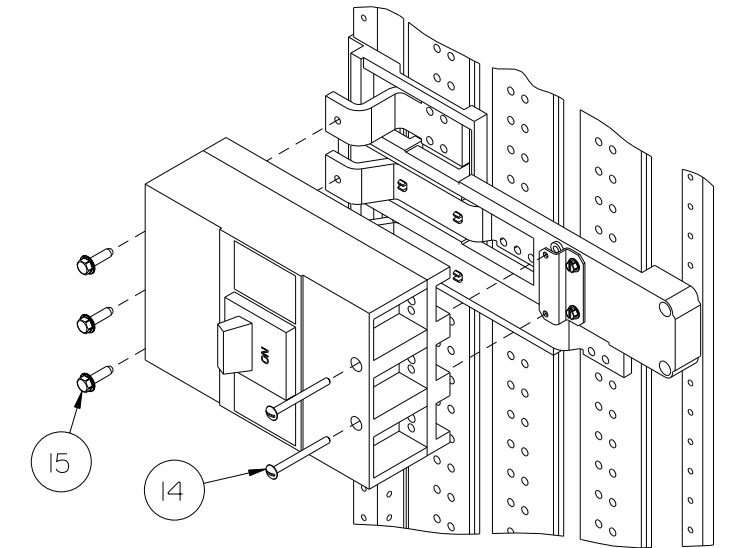


Figure 7

NOTE: If a Branch Neutral Lug Assembly is NOT Required Skip To Step 10.

9. Reference fig. 8 - Installing the Neutral Lug Assembly. The Branch Neutral is located at the bottom of the "Z-rails", or mirrored at the top depending upon the feed cable location. The Neutral Lug Assembly (item 16) can be mounted, as shown, or any available lower location hole on either end of the Branch Neutral depending on cable feed location. Torque all hardware as specified on the rear of the deadfront.

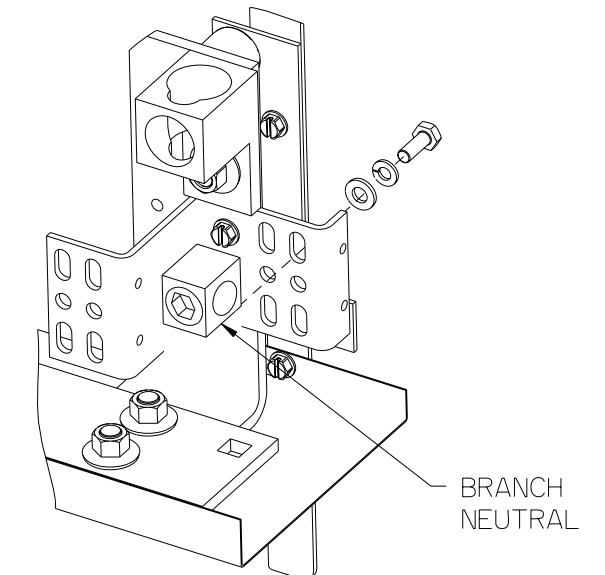


Figure 8