

Catalog Numbers

Catalog No.	Amperage Rating	Max. Interrupting Rating
1 PHASE, 3 WIRE, 120/240V AC MAX		
WS1400CU	400	100,000

- FOR OVERHEAD OR UNDERGROUND SERVICE
- TYPE 3R OUTDOOR ENCLOSURE
- USE CLASS T (300V) FUSES ONLY



Additional Modules, Accessories and Lug Kits

FOR USE WITH:	
Module Description	Siemens Series#
Main Breakers	WB(M), WEB(M), WXB(M), BFT(M)
Switches	WMP, WS, WES, WXS
Tap/Terminal Boxes	WTB, WET, WT, PU, WTBN, WBT(M)
Pull Boxes	WMMB
Meter Module	(W)MM, (W)MT, (W)ML, (W)MK, (W)MLZ(F), (W)MN
Meter Combinations	WC, WCL, WCT,
Extension Box	WSP, WSPD
Bussed Elbow	BE, WELB

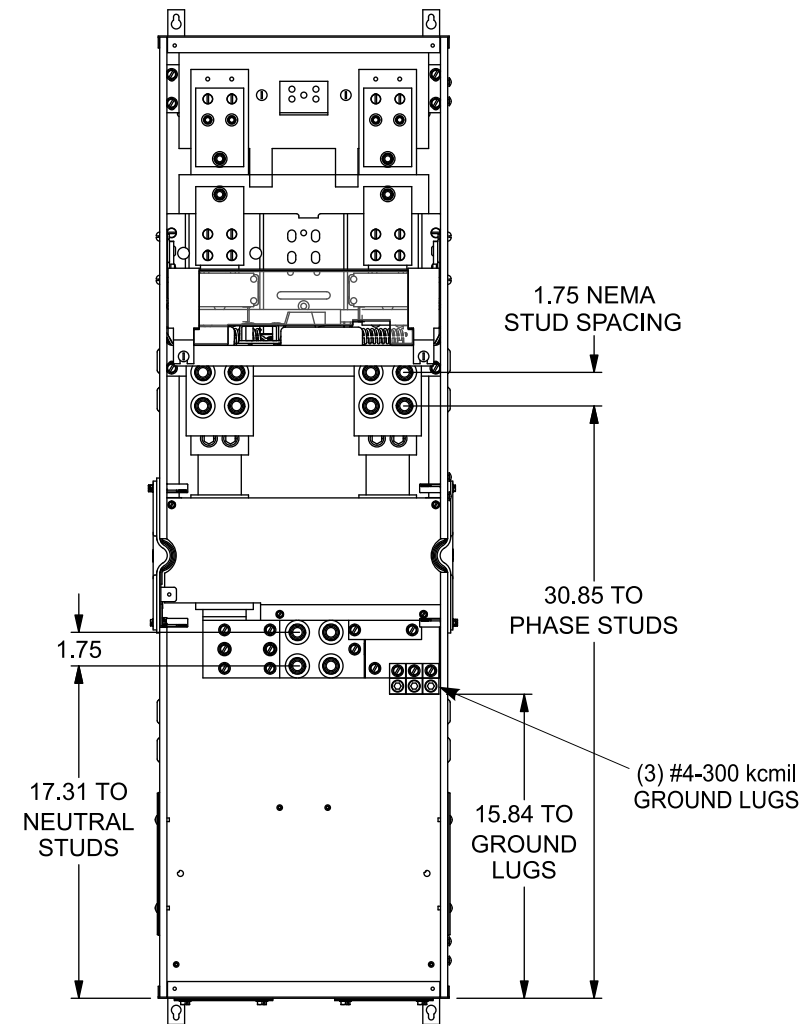
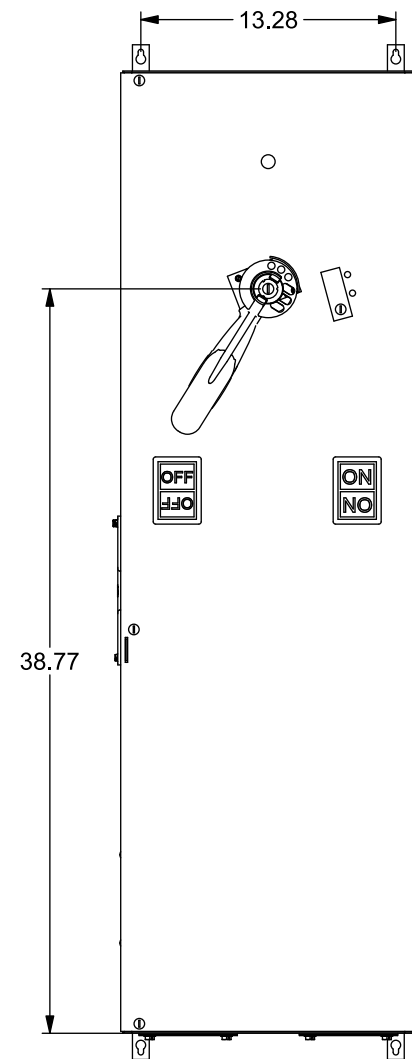
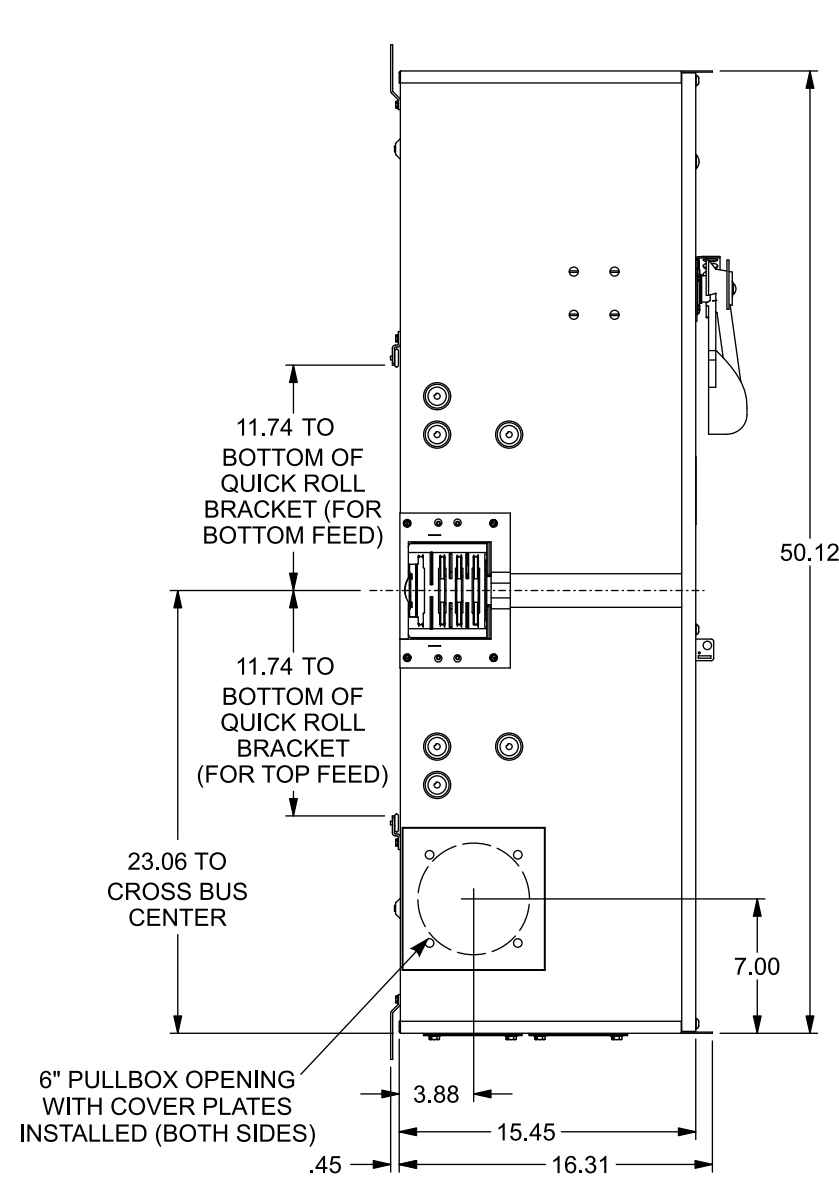
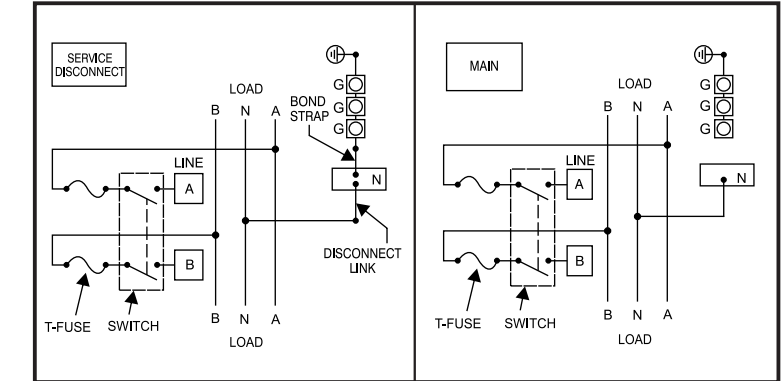
Connect Modules	
Using:	Catalog Number / Torque
QuickConnect	QC1 (1ph) 400-440 lb-in (35-36 ft.-lb.) Torque

Siemens Accessories	Catalog Number
Hub Cover Plate	EC56933S
Type HD Hub 2"	EC56854
Type HD Hub 2-1/2"	EC56855
Type HD Hub 3"	EC56856
Type HD Hub 3-1/2"	EC56857
Type HD Hub 4"	EC56858

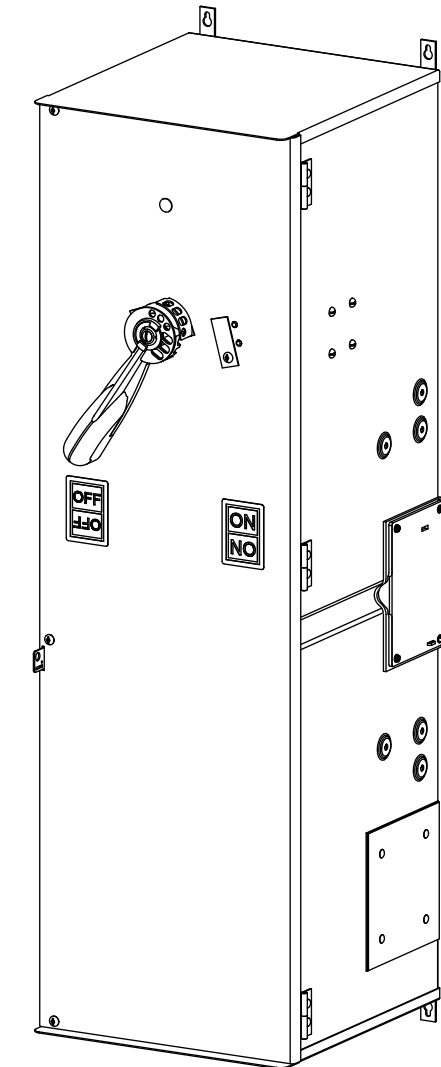
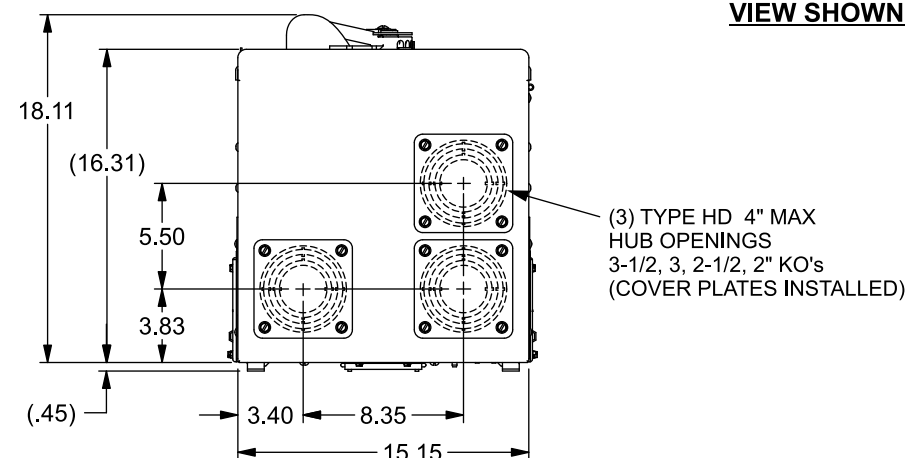
Lugs for Phase and Neutral Connections (not supplied)					
NEMA Lug ^①	MFG	Wire Range	Type	No. Wires per phase	Torque (lb.-in.)
LK11750N2	Siemens	300-750 kcmil	Mechanical	1	500
LK11600N2	Siemens	#2-600 kcmil	Mechanical	1	500
LK12500N2	Siemens	1/0-500 kcmil	Mechanical	2	500
LK12500N2E	Siemens	#2-500 kcmil	Mechanical	2	500
2ACL-500	ILSCO	500 kcmil	Compression	2	NA ^②
2ACL-600	ILSCO	600 kcmil	Compression	1	NA ^②
2ACL-750	ILSCO	750 kcmil	Compression	1	NA ^②

- Order one mechanical lug kit for main breaker and neutral conversions. Contact lug manufacturer for compression lug quantities supplied for each kit.
- See lug manufacturer's instruction sheet supplied with the connector for tool, die, and number of crimps.

Schematics



VIEW SHOWN WITH DOOR REMOVED



© 2018 Copyright Siemens Industry, Inc.

SIEMENS
Siemens Industry, Inc.

PowerMod™ Switch Mains

Description: **1 Phase, 400A, OH/UG, Service Entrance Switch Main**

KAM 9/25/18

DO NOT SCALE DRAWING

Dwg. No.

WS1400CU