

RATINGS:
125A MAXIMUM - SEE MAIN BREAKER RATING. BACK-FED BREAKER REQUIRES HOLD-DOWN KIT ECMBR3.
240/120 V ~, 3Ø 4W DELTA ; 208Y/120 V ~, 3Ø 4W ; 240 V ~, 3Ø 3W

WHEN USED ON A 240/120 V ~, 3 PHASE, 4 WIRE DELTA SYSTEM, THE CENTER BUS MUST BE CONNECTED TO THE PHASE HAVING THE HIGHEST VOLTAGE TO GROUND. ALL BREAKERS CONNECTED TO THIS BUS MUST BE RATED 240 V ~. WHEN USED ON A 240 V ~, 3 PHASE, 3 WIRE SYSTEM, ALL BREAKERS MUST BE RATED 240 V ~.

FOR INSTALLATION BY A QUALIFIED PERSON IN ACCORDANCE WITH ALL LOCAL ELECTRICAL CODES AND/OR THE NATIONAL ELECTRICAL CODE ®.

SUITABLE FOR USE AS SERVICE EQUIPMENT WHEN MAIN BREAKER IS INSTALLED WHEN USED AS SERVICE EQUIPMENT, APPLY "SERVICE DISCONNECT" LABEL TO FRONT NEXT TO MAIN BREAKER HANDLE.

WHEN USED AS SERVICE EQUIPMENT, UNUSED NEUTRAL BAR TERMINALS MAY BE USED TO TERMINATE EQUIPMENT GROUNDING WIRES IN THE COMBINATIONS INDICATED FOR EQUIPMENT GROUND BAR TERMINALS.

WHEN THE NEUTRAL TIE STRAP IS REMOVED, THE LEFT NEUTRAL BAR WILL BECOME THE EQPT. GROUND. INSTALL LUG KIT ECLKB1. MOVE GREEN BONDING SCREW TO LEFT BAR.

TO RESET BREAKERS WITH TRIPPED HANDLE POSITION BETWEEN "ON" AND "OFF", MOVE HANDLE TO "OFF" THEN TO "ON".

REMOVE TWISTOUTS FROM TRIM ONLY WHERE BREAKERS WILL BE INSTALLED. ALL OPENINGS MUST BE FILLED WITH BREAKERS OR FILLER PLATES.

THIS LOAD CENTER IS INVERTIBLE FOR BOTTOM FEED APPLICATIONS.

Siemens Industry, Inc. Norcross, Georgia U.S.A. **J2** 40901433 0101 Rev.00

IMPORTANT: DO NOT ALLOW PETROLEUM BASED (HYDROCARBON) SPRAYS, CHEMICALS, SOLVENTS OR ANY PAINT TO CONTACT INTERIOR COMPONENTS. PETROLEUM BASED CHEMICALS CAN CAUSE DEGRADATION OF ELECTRICAL INSULATING MATERIALS.

⚠ DANGER

Hazardous Voltage.
Will cause death, serious injury
or substantial property damage.

Turn off power supplying this
equipment before working inside.



⚠ PELIGRO

Voltaje peligroso. Causará la
muerte, lesiones graves o daño
substantial a la propiedad.

Desconecte el suministro de energía a este
equipo antes de trabajar en su interior.

USE COPPER OR ALUMINUM 60°/75°C WIRE

SEE BREAKER MARKINGS FOR WIRE SIZE AND TORQUE REQUIREMENTS.

TERMINALS	WIRE	TORQUE
A, B, C	2/0 - 4 AWG	110 LB-INS
N, G	2/0 - 6 AWG	110 LB-INS
NEUTRAL/GROUND BARS (USE TYPE EC3GB GROUND BAR KIT ACCESSORY)	10-14 CU/10-12 AL 8 AWG 6-4 AWG	20 LB-INS 25 LB-INS 35 LB-INS
GROUND CONDUCTORS ONLY	(2) or (3) 14 AWG (2) 12-10 AWG	20 LB-INS 20 LB-INS
ECLK1-2 NEUTRAL LUG KIT	2/0 - 4 AWG	45 LB-INS
ECLK2 NEUTRAL LUG KIT	2/0 - 4 AWG	135 LB-INS
MAIN LUG TO BUS CONNECTION (1/4-20 NUT)		45 LB-INS
BONDING SCREW		45 LB-INS

MAIN BREAKER KITS

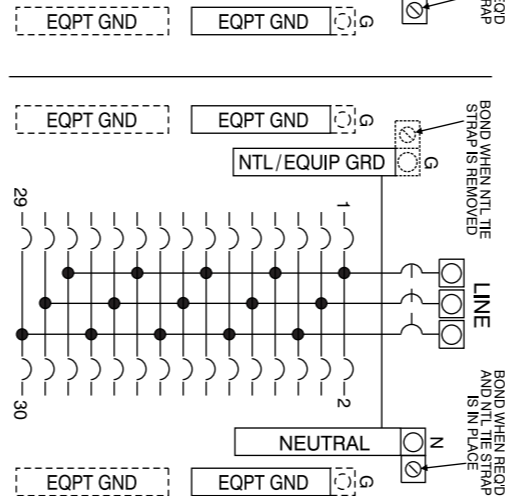
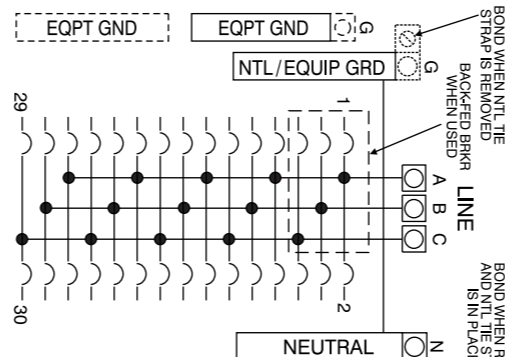
USE APPROPRIATE KIT FROM CHART BELOW TO CONVERT PANEL.

DESCRIPTION	CAT. NO.
MAIN BRKR KITS 10K AIC	MBK3125R
22K AIC	MBK3125HR
65K AIC	MBK3125HHR
100K AIC	HMBK3125HR

ACCESSORIES

DESCRIPTION	CAT. NO.
DOOR LOCK	EQCF12
FILLER PLATE, 1"	EQCF3
BREAKER HOLD-DOWN	ECMCR3
MAIN BRKR FILLER PLATE	EC3PMFPR
BONDABLE GROUND LUG	ECLKB1
SUBFEED LUG KIT	ECLK2125
100-125A MAIN LUG KIT	ECMLK3125
100A MAIN BRKR KIT (BACK-FED)	MBK3100

Assembled in Mexico
© 2016 Copyright Siemens Industry, Inc.
® The National Electrical Code is a registered trademark
of the National Fire Protection Association.



SHORT CIRCUIT CURRENT RATING THIS PANELBOARD HAS A MAXIMUM SHORT CIRCUIT CURRENT RATING OF 100,000 AMPS RMS SYMMETRICAL, 240V~. THE ACTUAL RATING IS DEPENDENT ON THE BRANCH BREAKERS INSTALLED IN THIS PANELBOARD AND THE MAIN/FEEDER BREAKER, IF ANY, INSTALLED AHEAD OF THIS PANELBOARD. IF NO MAIN/FEEDER BREAKER IS USED THE ACTUAL RATING IS EQUAL TO THE LOWEST INTERRUPTING RATING OF ANY INSTALLED BREAKER. THE CORRECT MAIN BREAKER/FEEDER/MAIN BREAKER/BRANCH BREAKER SERIES COMBINATIONS TO BE USED ARE LISTED IN THE TABULATION BELOW. ANY CIRCUIT BREAKER INSTALLED, REPLACED, OR ADDED IN THIS PANELBOARD MUST BE MANUFACTURED BY SIEMENS AND MUST BE OF THE CORRECT TYPE AS INDICATED IN THE TABULATION BELOW. USE OF OTHER CIRCUIT BREAKERS IN THIS EQUIPMENT WILL VOID THE WARRANTY.

MAIN BREAKER	FEEDER/MAIN BREAKER AND THE BREAKER PROTECTING THIS PANELBOARD, SEPARATE OR INTEGRAL, IS A SIEMENS TYPE	BRANCH BREAKER AND THE BRANCH BREAKERS INSTALLED ARE SIEMENS TYPE	THEN THE MAX. SHORT CIRCUIT CURRENT RATING IN RMS SYMMETRICAL AMPS, 120/240 V~ IS
WHEN THE MAIN PROTECTING THE SYSTEM IS A SIEMENS TYPE	NONE USED or QP, QJ2, QR2, MP-T, MQ	QP QG, QAF, QAF2, QFGA2, QPF, QPF2, QE, MP-T, MG, MP-AT, MP-AT2, MP-GAT2, MP-GT, MP-GT2, MP-ET	10,000
NONE USED	NONE USED	QPH, QAFH, QAFH2, QFGAH2, QPHF, QPHF2, QEH, MP-HT, MP-HAT, MP-HAT2, MP-HGAT2, MP-HGT, MP-HGT2, MP-HET	22,000
QPH, MP-HT, QRH2	QP*, QG, QAF, QAF2, QFGA2, QPF, QPF2, QE, MP-T*, MG, MP-AT, MP-AT2, MP-GAT2, MP-GT, MP-GT2, MP-ET	QP*, QPH, MP-T*, MP-HT	42,000
QJH2, MQH	QJH2, MQL	HQP, HQAF2, HQFGA2, HQPF2, MP-MT, MP-MAT2, MP-MGAT2, MP-MGT2	
NONE USED	HQP, HQAF2, HQFGA2, HQPF2, MP-MT, MP-MAT2, MP-MGAT2, MP-MGT2		
FD6(-A), FXD6(-A), HFD6, HFXD6, JXD2(-A), JD6(-A), JXD6(-A), HJD6(-A), HJXD6(-A), LD6(-A), LXD6(-A), HLD6(-A), HLXD6(-A), MD6, MXD6, HMD6, HMXD6, ND6, NXD6, HND6, HNXD6, PD6, PXD6, HPD6, HPPD6, RD6, RXD6, HRD6, HRRD6, NFGA, NFGB, NJGA, NJJA, NLGB, NMG, NNG, NPG or CLASS J, T, R or L FUSES	QPH, MP-HT	QP QPH, QAF, QAFH, QAF2, QAFH2, QFGA2, QFGAH2, QPF, QPHF, QPF2, QPHF2, QE, QEH, MP-T, MP-HT, MP-AT, MP-HAT, MP-AT2, MP-HAT2, MP-HGAT2, MP-HGT, MP-HGT2, MP-HET	65,000
FD6(-A), FXD6(-A), JXD2(-A), JD6(-A), JXD6(-A), LD6(-A), LXD6(-A), MD6, MXD6, ND6, NXD6, PD6, PXD6, RD6, RXD6, NFGA, NFGB, NJGA, NJJA, NLGB, NMG, NNG, NPG	QR2, QRH2		
ED4, ED6	NONE USED or QP, QPH, MP-T, MP-HT	QPH, MP-HT	
FD6(-A), FXD6(-A)	NONE USED or QJ2, QJH2, QJ2H, MQ, MQH, MQL	QP QPH, QAF, QAFH, QAF2, QAFH2, QFGA2, QFGAH2, QPF, QPHF, QPF2, QPHF2, MP-T, MP-HT, MP-AT, MP-HAT, MP-AT2, MP-HAT2, MP-GAT2, MP-HGAT2, MP-GT, MP-HGT, MP-GT2, MP-HGT2	
JXD2(-A), JD6(-A), JXD6(-A), LD6(-A), LXD6(-A), HLD6(-A), HLXD6(-A), NFGA, NFGB, NJGA, NJJA, NLGB CLASS J, T, R, or L FUSES	QJH2, QJ2H, MQH, MQL	QPH, QFGA2, QFGAH2, MP-HT, MP-GAT2, MP-HGAT2	
NONE USED	NONE USED	QPH, MP-HT	
HFD6, HFXD6, HJD6(-A), HJXD6(-A), HLD6(-A), HLXD6(-A), HMD6, HMXD6, HND6, HNXD6, HPD6, HPPD6, HRD6, HRRD6, HFGA, HFGB, HJGA, HLGB, HMG, HNG, HPG, or CLASS J, R, or T FUSES	QR2, QRH2, HQR2	QP, QPH, HQP, QAF, QAFH, QAF2, QAFH2, HQAF2, QFGA2, QFGAH2, HQFGA2, QPF, QPHF, QPF2, QPHF2, QPF2, QE, QEH, MP-T, MP-HT, MP-AT, MP-HAT, MP-AT2, MP-HAT2, MP-GAT2, MP-HGAT2, MP-GT, MP-HGT, MP-GT2, MP-HGT2, MP-MT, MP-AT2, MP-MGAT2, MP-MGT2, MP-HGT2, MP-MGT2, MP-ET, MP-HET	100,000
HFD6, HFXD6 or CLASS T (300V, 200 A MAX) FUSES	NONE USED or QP, QPH, HQP, QJ2, QJH2, QJ2H, MP-T, MP-HT, MP-MT, MQ, MQH, MQL		
HFGA, HFGB or CLASS T (300V, 600 A MAX) FUSES	QPH, HQP, MP-HT, MP-MT	QPH, HQP, QAF2, QAFH2, HQAF2, QFGA2, QFGAH2, HQFGA2, MP-HT, MP-MT, MP-AT2, MP-HAT2, MP-MAT2, MP-GAT2, MP-HGAT2, MP-MGAT2	

* 60-100 AMP ONLY FOR 3 POLE QP BREAKERS