

RATINGS:
200A MAXIMUM - SEE MAIN BREAKER RATING. BACK-FED BREAKER REQUIRES HOLD-DOWN KIT ECMBR3.
240/120 V ~, 3Ø 4W DELTA ; 208Y/120 V ~, 3Ø 4W ; 240 V ~, 3Ø 3W

WHEN USED ON A 240/120 V ~, 3 PHASE, 4 WIRE DELTA SYSTEM, THE CENTER BUS MUST BE CONNECTED TO THE PHASE HAVING THE HIGHEST VOLTAGE TO GROUND. ALL BREAKERS CONNECTED TO THIS BUS MUST BE RATED 240 V ~. WHEN USED ON A 240 V ~, 3 PHASE, 3 WIRE SYSTEM, ALL BREAKERS MUST BE RATED 240 V ~.

FOR INSTALLATION BY A QUALIFIED PERSON IN ACCORDANCE WITH ALL LOCAL ELECTRICAL CODES AND/OR THE NATIONAL ELECTRICAL CODE ®.

SUITABLE FOR USE AS SERVICE EQUIPMENT WHEN MAIN BREAKER IS INSTALLED WHEN USED AS SERVICE EQUIPMENT, APPLY "SERVICE DISCONNECT" LABEL TO FRONT NEXT TO MAIN BREAKER HANDLE.

WHEN USED AS SERVICE EQUIPMENT, UNUSED NEUTRAL BAR TERMINALS MAY BE USED TO TERMINATE EQUIPMENT GROUNDING WIRES IN THE COMBINATIONS INDICATED FOR EQUIPMENT GROUND BAR TERMINALS.

WHEN THE NEUTRAL TIE STRAP IS REMOVED, THE LEFT NEUTRAL BAR WILL BECOME THE EQPT. GROUND. INSTALL LUG KIT ECLKB1 ON MAIN LUG DEVICES. ON MAIN BREAKER DEVICES, MOVE GREEN BONDING SCREW TO LEFT BAR.

SUM OF QT BREAKER RATING IS NOT TO EXCEED 110 AMPS PER BRANCH CIRCUIT BUS STAB.

TO RESET BREAKERS WITH TRIPPED HANDLE POSITION BETWEEN "ON" AND "OFF", MOVE HANDLE TO "OFF" THEN TO "ON".

REMOVE TWISTOUTS FROM TRIM ONLY WHERE BREAKERS WILL BE INSTALLED. ALL OPENINGS MUST BE FILLED WITH BREAKERS OR FILLER PLATES.

Siemens Industry, Inc. Norcross, Georgia U.S.A.

J2

40901454 0101 Rev.00

IMPORTANT: DO NOT ALLOW PETROLEUM BASED (HYDROCARBON) SPRAYS, CHEMICALS, SOLVENTS OR ANY PAINT TO CONTACT INTERIOR COMPONENTS. PETROLEUM BASED CHEMICALS CAN CAUSE DEGRADATION OF ELECTRICAL INSULATING MATERIALS.

⚠ DANGER

Hazardous Voltage.
Will cause death, serious injury or substantial property damage.

Turn off power supplying this equipment before working inside.



⚠ PELIGRO

Voltaje peligroso. Causará la muerte, lesiones graves o daño substancial a la propiedad.

Desconecte el suministro de energía a este equipo antes de trabajar en su interior.

USE COPPER OR ALUMINUM 60°/75°C WIRE

SEE BREAKER MARKINGS FOR WIRE SIZE AND TORQUE REQUIREMENTS.

TERMINALS	WIRE	TORQUE
A, B, C, N	300 kcmil - 4 AWG	275 LB-INS
MAIN BREAKER	4/0 CU; 300kcmil AL	See Breaker
G	2/0 - 6 AWG	110 LB-INS
NEUTRAL/GROUND BARS (USE TYPE EC3GB GROUND BAR KIT ACCESSORY)	10-14 CU/10-12 AL 8 AWG 6-4 AWG	20 LB-INS 25 LB-INS 35 LB-INS
GROUND CONDUCTORS ONLY	(2)or(3) 14 AWG (2) 12-10 AWG	20 LB-INS 20 LB-INS
ECLK1-2 NEUTRAL LUG KIT	2/0 - 4 AWG	45 LB-INS
ECLK2 NEUTRAL LUG KIT	2/0 - 4 AWG	135 LB-INS
ECLK3 NEUTRAL LUG KIT	300 kcmil - 1 AWG	340 LB-INS
MAIN LUG/MAIN BRKR TO BUS CONNECTION (1/4-20 NUT)		45 LB-INS
BONDING SCREW		45 LB-INS

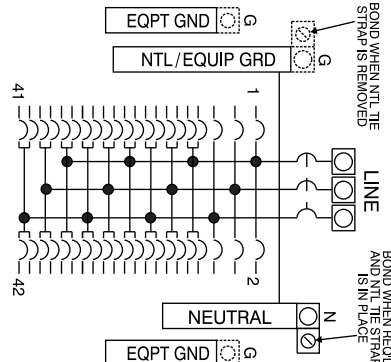
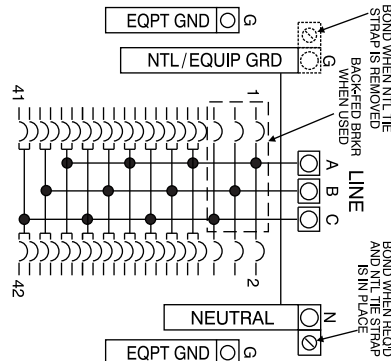
ACCESSORIES	
DESCRIPTION	CAT. NO.
DOOR LOCK	ECQF12
FILLER PLATE, 1"	ECQF3
MAIN BRKR FILLER PLATE	EC3PMFPR
BREAKER HOLD-DOWN	ECMBR3
BONDABLE GROUND LUG	ECLKB1
SUBFEED LUG KIT	ECLK2125 ECLK2225 ECLK3225
150-225 AMP MAIN LUG	ECMLK3225
100A MAIN BREAKER KIT (BACK FED)	MBK3100

MAIN BREAKER KITS	
USE APPROPRIATE KIT FROM CHART BELOW TO CONVERT PANEL.	
AIC RATING	200A CATALOG NO.
10K AIC	MBK3200R
22K AIC	MBK3200HR
65K AIC	MBK3200HHR
100K AIC	HMBK3200HR

125A, 150A, AND 175A BREAKER KITS ARE ALSO AVAILABLE

CONDUIT HUBS	
TRADE SIZE	CAT. NO.
1-1/4 INCH	ECHS125
1-1/2 INCH	ECHS150
2 INCH	ECHS200
2-1/2 INCH	ECHS250

Assembled in Mexico
© 2016 Copyright Siemens Industry, Inc.
® The National Electrical Code is a registered trademark of the National Fire Protection Association.



SHORT CIRCUIT CURRENT RATING THIS PANELBOARD HAS A MAXIMUM SHORT CIRCUIT CURRENT RATING OF 100,000 AMPS RMS SYMMETRICAL, 240V ~. THE ACTUAL RATING IS DEPENDENT ON THE BRANCH BREAKERS INSTALLED IN THIS PANELBOARD AND THE MAIN/FEEDER BREAKER. IF ANY INSTALLED ABOVE OF THIS PANELBOARD. IF NO MAIN/FEEDER BREAKER IS USED THE ACTUAL RATING IS EQUAL TO THE LOWEST INTERRUPTING RATING OF ANY INSTALLED BREAKER. THE CORRECT MAIN BREAKER/FEEDER/MAIN BREAKER/BRANCH BREAKER SERIES COMBINATIONS TO BE USED ARE LISTED IN THE TABULATION BELOW. ANY CIRCUIT BREAKER INSTALLED, REPLACED, OR ADDED IN THIS PANELBOARD MUST BE MANUFACTURED BY SIEMENS AND MUST BE OF THE CORRECT TYPE AS INDICATED IN THE TABULATION BELOW. USE OF OTHER CIRCUIT BREAKERS IN THIS EQUIPMENT WILL VOID THE WARRANTY.

MAIN BREAKER	FEEDER/MAIN BREAKER AND THE BREAKER PROTECTING THIS PANELBOARD, SEPARATE OR INTEGRAL, IS A SIEMENS TYPE	BRANCH BREAKER AND THE BRANCH BREAKERS INSTALLED ARE SIEMENS TYPE	THEN THE MAX. SHORT CIRCUIT CURRENT RATING IN RMS SYMMETRICAL AMPS, 120/240 V ~ IS
WHEN THE MAIN PROTECTING THE SYSTEM IS A SIEMENS TYPE	NONE USED or QP, QJ, QR2, MP-T, MQ	QP, QG, QT, QAF, QAF2, QFGA2, QPF, QPF2, QE, QNR, MR-T, MG, MH-T, MP-AT, MP-AT2, MP-GAT2, MP-GT, MP-GT2, MP-ET, MD-TR	10,000
NONE USED	NONE USED	QPH, QAFH, QAFH2, QFGAH2, QPHF, QPHF2, QEH, QNRH, MR-HT, MP-HAT, MP-HAT2, MP-HGAT2, MP-HGT, MP-HGT2, MP-HET, MD-HTR	22,000
NONE USED	QPH, MP-HT	QP, QG, QT, QAF, QAF2, QFGA2, QPF, QPF2, QE, MP-T, MG, MH-T, MP-AT, MP-AT2, MP-GAT2, MP-GT, MP-GT2, MP-ET, MD-TR	22,000
NONE USED	QRH2	QP, QG, QT, QAF, QAF2, QFGA2, QPF, QPF2, QE, QNR, MR-T, MG, MH-T, MP-AT, MP-AT2, MP-GAT2, MP-GT, MP-GT2, MP-ET, MD-TR	22,000
NONE USED	QJH2, MQH	QP*, QG, QT**, QAF, QAF2, QFGA2, QPF, QPF2, QE, MP-T*, MG, MH-T**, MP-AT, MP-AT2, MP-GAT2, MP-GT, MP-GT2, MP-ET	42,000
NONE USED	QJ2H, MQL	QP*, QPH, MP-T*, MP-HT	42,000
NONE USED	NONE USED	HQP, HQAF2, HQFGA2, HQPF2, HQNR, MP-MT, MP-MAT2, MP-MGAT2, MP-MTR, MP-MGT2	42,000
NONE USED	HQP, MP-MT	QP, QPH, QT, QAF, QAFH, QAF2, QAFH2, QFGA2, QFGAH2, QPF, QPHF, QPF2, QEH, QNR, MR-HT, MP-HAT, MP-HAT2, MP-HGAT2, MP-HGT, MP-HGT2, MP-HET, MP-HET	65,000
SIEMENS BREAKER TYPES FD6(-A), FXD6(-A), JXD2(-A), JD6(-A), JXD6(-A), HJD6(-A), HJXD6(-A), LD6(-A), LXD6(-A), HLD6(-A), HLD6(-A), MD6, MXD6, HMD6, HMXD6, NDB, NXD6, HND6, HNXD6, PD6, PXD6, HPD6, HXPD6, RD6, RXD6, HRD6, HRXD6, NFGA, NFGFB, NJGA, NJJA, NLGB, NMG, NNG, NPG or CLASS J, T, R or L FUSES	NONE USED or QP, QPH, MP-T, MP-HT	QP, QG, QT, QAF, QAFH, QAF2, QAFH2, QFGA2, QFGAH2, QPF, QPHF, QPF2, QE, QEH, QNR, MR-HT, MP-HAT, MP-HAT2, MP-HGAT2, MP-HGT, MP-HGT2, MP-ET, MD-TR	65,000
SIEMENS BREAKER TYPES ED4, ED6	NONE USED	QP, QPH, QT, QAF, QAFH, QAF2, QAFH2, QFGA2, QFGAH2, QPF, QPHF, QPF2, QE, QEH, QNR, MR-HT, MP-HAT, MP-HAT2, MP-HGAT2, MP-HGT, MP-HGT2, MP-ET, MD-TR	65,000
SIEMENS BREAKER TYPES FD6(-A), FXD6(-A), JXD2(-A), JD6(-A), JXD6(-A), LD6(-A), LXD6(-A), MD6, MXD6, NDB, NXD6, PD6, PXD6, RD6, RXD6, NFGA, NFGB, NJGA, NJJA, NLGB, NMG, NNG, NPG	QR2, QRH2	QP, QPH, QAF, QAFH, QAF2, QAFH2, QFGA2, QFGAH2, QPF, QPHF, QPF2, QEH, QNR, MR-HT, MP-HAT, MP-HAT2, MP-HGAT2, MP-HGT, MP-HGT2, MP-ET, MD-TR	65,000
SIEMENS BREAKER TYPES FD6(-A), FXD6(-A)	NONE USED or QJ, QJH2, QJ2H, MQ, MQH, MQL	QP, QG, QT, QAF, QAFH, QAF2, QAFH2, QFGA2, QFGAH2, QPF, QPHF, QPF2, QE, QEH, QNR, MR-HT, MP-HAT, MP-HAT2, MP-HGAT2, MP-HGT, MP-HGT2, MP-ET, MD-TR	65,000
SIEMENS BREAKER TYPES JXD2(-A), JD6(-A), JXD6(-A), LD6(-A), LXD6(-A), HLD6(-A), HLD6(-A), NFGA, NFGB, NJGA, NJJA, NLGB	QJH2, QJ2H, MQH, MQL	QPH, QFGA2, QFGAH2, MP-HT, MP-GAT2, MP-HGAT2	65,000
CLASS J, T, R, or L FUSES	NONE USED	QPH, MP-HT, QNR, QNRH	65,000
NONE USED	HQR2H	QP, QPH, HQP, QT, QAF, QAFH, QAF2, QAFH2, HQAF2, QFGA2, QFGAH2, HQFGA2, HQFGAH2, QPF, QPHF, QPF2, QEH, QNR, MR-HT, MP-HAT, MP-HAT2, MP-HGAT2, MP-HGT, MP-HGT2, MP-ET, MD-TR	100,000
SIEMENS BREAKER TYPES HFD6, HFXD6, HJD6(-A), HJXD6(-A), HLD6(-A), HLD6(-A), HMD6, HMXD6, HND6, HNXD6, HPD6, HXPD6, HRD6, HRXD6, HFGA, HFGB, HJGA, HJGB, HNG, HNG, HPG, or CLASS J, R, or T FUSES	QR2, QRH2, HQR2	QP, QPH, HQP, QT, QAF, QAFH, QAF2, QAFH2, HQAF2, QFGA2, QFGAH2, HQFGA2, HQFGAH2, QPF, QPHF, QPF2, QEH, QNR, MR-HT, MP-HAT, MP-HAT2, MP-HGAT2, MP-HGT, MP-HGT2, MP-ET, MD-TR	100,000
HFD6, HFXD6, or CLASS T (300V, 200 A MAX) FUSES	NONE USED or QP, QPH, HQP, QJ, QJH2, QJ2H, MP-T, MP-HT, MP-MT, MQ, MQH, MQL	QP, QPH, HQP, QT, QAF, QAFH, QAF2, QAFH2, HQAF2, QFGA2, QFGAH2, HQFGA2, HQFGAH2, QPF, QPHF, QPF2, QEH, QNR, MR-HT, MP-HAT, MP-HAT2, MP-HGAT2, MP-HGT, MP-HGT2, MP-ET, MD-TR	100,000
HFGA, HFGB or CLASS T (300V, 600 A MAX) FUSES	QPH, HQP, MP-HT, MP-MT	QP, HQP, QAF2, QAFH2, HQAF2, QFGA2, QFGAH2, HQFGA2, HQFGAH2, MP-MAT2, MP-GAT2, MP-HGAT2, MP-MGAT2	100,000

*60-100 AMP ONLY FOR 3 POLE BREAKERS

**15, 20 AND 40 AMP BREAKERS ONLY