

SIEMENS

Indoor Load Center

Catalog Number
S3054L3200

Enclosure
Type 1

RATINGS:
200A MAXIMUM - SEE MAIN BREAKER RATING. BACK-FED BREAKER REQUIRES HOLD-DOWN KIT ECMBR3.
240/120 V ~, 3Ø 4W DELTA ; 208Y/120 V ~, 3Ø 4W ; 240 V ~, 3Ø 3W

WHEN USED ON A 240/120 V ~, 3 PHASE, 4 WIRE DELTA SYSTEM, THE CENTER BUS MUST BE CONNECTED TO THE PHASE HAVING THE HIGHEST VOLTAGE TO GROUND. ALL BREAKERS CONNECTED TO THIS BUS MUST BE RATED 240 V ~. WHEN USED ON A 240 V ~, 3 PHASE, 3 WIRE SYSTEM, ALL BREAKERS MUST BE RATED 240 V ~.

FOR INSTALLATION BY A QUALIFIED PERSON IN ACCORDANCE WITH ALL LOCAL ELECTRICAL CODES AND/OR THE NATIONAL ELECTRICAL CODE ®.

SUITABLE FOR USE AS SERVICE EQUIPMENT WHEN MAIN BREAKER IS INSTALLED WHEN USED AS SERVICE EQUIPMENT, APPLY "SERVICE DISCONNECT" LABEL TO FRONT NEXT TO MAIN BREAKER HANDLE.

WHEN USED AS SERVICE EQUIPMENT, UNUSED NEUTRAL BAR TERMINALS MAY BE USED TO TERMINATE EQUIPMENT GROUNDING WIRES IN THE COMBINATIONS INDICATED FOR EQUIPMENT GROUND BAR TERMINALS.

SUM OF QT BREAKER RATING IS NOT TO EXCEED 110 AMPS PER BRANCH CIRCUIT BUS STAB.

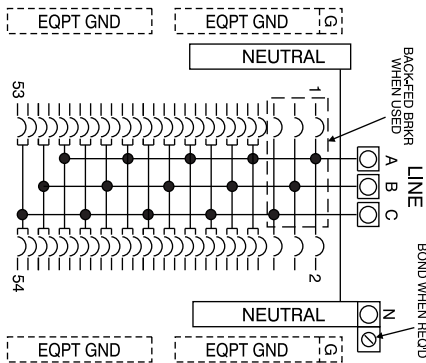
TO RESET BREAKERS WITH TRIPPED HANDLE POSITION BETWEEN "ON" AND "OFF", MOVE HANDLE TO "OFF" THEN TO "ON".

REMOVE TWISTOUTS FROM TRIM ONLY WHERE BREAKERS WILL BE INSTALLED. ALL OPENINGS MUST BE FILLED WITH BREAKERS OR FILLER PLATES.

THIS LOAD CENTER IS INVERTIBLE FOR BOTTOM FEED APPLICATIONS.

Siemens Industry, Inc. Norcross, Georgia U.S.A.	J2	40901440 0101 Rev.00
© 2016 Copyright Siemens Industry, Inc.		Assembled in Mexico
® The National Electrical Code is a registered trademark of the National Fire Protection Association.		

IMPORTANT: DO NOT ALLOW PETROLEUM BASED (HYDROCARBON) SPRAYS, CHEMICALS, SOLVENTS OR ANY PAINT TO CONTACT INTERIOR COMPONENTS. PETROLEUM BASED CHEMICALS CAN CAUSE DEGRADATION OF ELECTRICAL INSULATING MATERIALS.



USE COPPER OR ALUMINUM 60°/75°C WIRE

SEE BREAKER MARKINGS FOR WIRE SIZE AND TORQUE REQUIREMENTS.

TERMINALS	WIRE	TORQUE
A, B, C	300 kcmil - 4 AWG	275 LB-INS
N	4/0-6 CU ; 300-6 AL	275 LB-INS
G	2/0-6 AWG	110 LB-INS
NEUTRAL/GROUND BARS (USE TYPE EC3GB GROUND BAR KIT ACCESSORY)	10-14 CU/10-12 AL 8 AWG 6-4 AWG	20 LB-INS 25 LB-INS 35 LB-INS
GROUND CONDUCTORS ONLY	(2)or(3) 14 AWG (2) 12-10 AWG	20 LB-INS 20 LB-INS
ECLK1-2 NEUTRAL LUG KIT	2/0-4 AWG	45 LB-INS
ECLK2 NEUTRAL LUG KIT	2/0-4 AWG	135 LB-INS
ECLK3 NEUTRAL LUG KIT	300 kcmil - 1 AWG	340 LB-INS
MAIN LUG TO BUS CONNECTION (1/4-20 NUT)		45 LB-INS
BONDING SCREW		45 LB-INS

ACCESSORIES	
DESCRIPTION	CAT. NO.
DOOR LOCK	ECQFL2
FILLER PLATE, 1"	ECQF3
BREAKER HOLD-DOWN	ECMBR3
SUBFEED LUG KIT	ECLK2125 ECLK2225 ECLK3225
150-225A MAIN LUG KIT	ECMLK3225
100A MAIN BREAKER KIT (BACK FED)	MBK3100

SHORT CIRCUIT CURRENT RATING THIS PANELBOARD HAS A MAXIMUM SHORT CIRCUIT CURRENT RATING OF 100,000 AMPS RMS SYMMETRICAL, 240V ~. THE ACTUAL RATING IS DEPENDENT ON THE BRANCH BREAKERS INSTALLED IN THIS PANELBOARD AND THE MAIN/FEEDER BREAKER. IF ANY INSTALLED AHEAD OF THIS PANELBOARD. IF NO MAIN/FEEDER BREAKER IS USED THE ACTUAL RATING IS EQUAL TO THE LOWEST INTERRUPTING RATING OF ANY INSTALLED BREAKER. THE CORRECT MAIN BREAKER/FEEDER/MAIN BREAKER/BRANCH BREAKER SERIES COMBINATIONS TO BE USED ARE LISTED IN THE TABULATION BELOW. ANY CIRCUIT BREAKER INSTALLED, REPLACED, OR ADDED IN THIS PANELBOARD MUST BE MANUFACTURED BY SIEMENS AND MUST BE OF THE CORRECT TYPE AS INDICATED IN THE TABULATION BELOW. USE OF OTHER CIRCUIT BREAKERS IN THIS EQUIPMENT WILL VOID THE WARRANTY.

MAIN BREAKER	FEEDER/MAIN BREAKER AND THE BREAKER PROTECTING THIS PANELBOARD, SEPARATE OR INTEGRAL, IS A SIEMENS TYPE	BRANCH BREAKER AND THE BRANCH BREAKERS INSTALLED ARE SIEMENS TYPE	THEN THE MAX. SHORT CIRCUIT CURRENT RATING IN RMS SYMMETRICAL AMPS, 120/240 V ~ IS
NONE USED	QJ2, QR2, MP-T, MQ	QP, QG, QT, QAF, QAF2, QFGA2, OPF, OPF2, QE, QNR, MP-T, MG, MH-T, MP-AT, MP-AT2, MP-GAT2, MP-GT, MP-GT2, MP-ET, MD-TR	10,000
	QPH, MP-HT	QPH, QAFH, QAFH2, QFGAH2, QPHF, QPHF2, QEH, QNRH, MP-HT, MP-HAT, MP-HAT2, MP-HGAT2, MP-HGT, MP-HGT2, MP-HET, MD-HTR	22,000
	QRH2	QP, QG, QT, QAF, QAF2, QFGA2, OPF, OPF2, QE, QNR, MP-T, MG, MH-T, MP-AT, MP-AT2, MP-GAT2, MP-GT, MP-GT2, MP-ET, MD-TR	42,000
	QJH2, MQH	QP*, QPH, MP-T*, MP-HT	42,000
SIEMENS BREAKER TYPES FD6(-A), FXD6(-A), JXD2(-A), JD6(-A), JXD6(-A), HJD6(-A), HJXD6(-A), LD6(-A), LXD6(-A), HLD6(-A), HLD6(-A), MD6, MXD6, HMD6, HMXD6, NDE, NXD6, HND6, HNXD6, PD6, PDX6, HPD6, HPXD6, RD6, RDX6, HRD6, HRXD6, NFGA, NFGB, NJGA, NJJA, NLGB, NMG, NNG, NPG or CLASS J, T, R or L FUSES	QPH, MP-HT	QP, QPH, QT, QAF, QAFH, QAF2, QAFH2, QFGA2, QFGAH2, OPF, QPHF, QPF2, QPHF2, QE, QEH, MP-HT, MP-HAT, MP-HAT2, MP-HGAT2, MP-GT, MP-HGT, MP-GT2, MP-HGT2, MP-ET, MP-HET	65,000
	QR2, QRH2	QP, QPH, QT, QAF, QAFH, QAF2, QAFH2, QFGA2, QFGAH2, OPF, QPHF, QPF2, QPHF2, QE, QEH, QNR, QNRH, MP-T, MP-AT, MP-AT2, MP-HAT, MP-HAT2, MP-HGAT2, MP-GAT2, MP-GT, MP-HGT, MP-GT2, MP-HGT2, MP-ET, MP-HET, MD-TR, MD-HTR	65,000
	QJH2, QJ2H, MQH, MQL	QP, QPH, QAF, QAFH, QAF2, QAFH2, QFGA2, QFGAH2, OPF, QPHF, QPF2, QPHF2, MP-T, MP-AT, MP-AT2, MP-HAT, MP-HAT2, MP-HGAT2, MP-GAT2, MP-GT, MP-HGT, MP-GT2, MP-HGT2	100,000
	QJH2, QJ2H, MQH, MQL	QPH, QFGA2, QFGAH2, MP-HT, MP-GAT2, MP-HGAT2, QPH, MP-HT, QNR, QNRH	100,000
HFD6, HFXD6, or CLASS T (300V, 200 A MAX) FUSES	NONE USED or QP, QPH, HQP, QJ2, QJH2, MQ, MP-T, MP-HT, MP-MT, MQ, MOH, MQL	QP, QPH, HQP, QT, QAF, QAFH, QAF2, QAFH2, HGA2, QFGA2, QFGAH2, HGF2, HGFH2, QPHF, QPHF2, QPHF2, QEH, QEH, MP-T, MP-AT, MP-AT2, MP-HAT, MP-HAT2, MP-HGAT2, MP-GAT2, MP-GT, MP-HGT, MP-GT2, MP-HGT2, MP-ET, MP-HET	100,000
	QPH, HQP, MP-HT, MP-MT	QPH, HQP, QAF2, QAFH2, HOAF2, QFGA2, QFGAH2, HOFGA2, HOFGAH2, MP-AT2, MP-AT2, MP-MAT2, MP-GAT2, MP-HGAT2, MP-MGAT2	100,000

*60-100 AMP ONLY FOR 3 POLE BREAKERS

**15, 20 AND 40 AMP BREAKERS ONLY

⚠ DANGER

Hazardous Voltage.
Will cause death, serious injury or substantial property damage.

Turn off power supplying this equipment before working inside.



⚠ PELIGRO

Voltaje peligroso. Causará la muerte, lesiones graves o daño substancial a la propiedad.

Desconecte el suministro de energía a este equipo antes de trabajar en su interior.