

SIEMENS

Outdoor Load Center

Catalog Number
SW2442L3200

Enclosure
Type 3R

RATINGS:
200A MAXIMUM - SEE MAIN BREAKER RATING. BACK-FED BREAKER REQUIRES HOLD-DOWN KIT ECMBR3.
240/120 V ~, 3Ø 4W DELTA ; 208Y/120 V ~, 3Ø 4W ; 240 V ~, 3Ø 3W

WHEN USED ON A 240/120 V ~, 3 PHASE, 4 WIRE DELTA SYSTEM, THE CENTER BUS MUST BE CONNECTED TO THE PHASE HAVING THE HIGHEST VOLTAGE TO GROUND. ALL BREAKERS CONNECTED TO THIS BUS MUST BE RATED 240 V ~. WHEN USED ON A 240 V ~, 3 PHASE, 3 WIRE SYSTEM, ALL BREAKERS MUST BE RATED 240 V ~.

FOR INSTALLATION BY A QUALIFIED PERSON IN ACCORDANCE WITH ALL LOCAL ELECTRICAL CODES AND/OR THE NATIONAL ELECTRICAL CODE ®.

SUITABLE FOR USE AS SERVICE EQUIPMENT WHEN MAIN BREAKER IS INSTALLED WHEN USED AS SERVICE EQUIPMENT, APPLY "SERVICE DISCONNECT" LABEL TO FRONT NEXT TO MAIN BREAKER HANDLE.

WHEN USED AS SERVICE EQUIPMENT, UNUSED NEUTRAL BAR TERMINALS MAY BE USED TO TERMINATE EQUIPMENT GROUNDING WIRES IN THE COMBINATIONS INDICATED FOR EQUIPMENT GROUND BAR TERMINALS.

SUM OF QT BREAKER RATING IS NOT TO EXCEED 110 AMPS PER BRANCH CIRCUIT BUS STAB.

TO RESET BREAKERS WITH TRIPPED HANDLE POSITION BETWEEN "ON" AND "OFF", MOVE HANDLE TO "OFF" THEN TO "ON".

REMOVE TWISTOUTS FROM TRIM ONLY WHERE BREAKERS WILL BE INSTALLED. ALL OPENINGS MUST BE FILLED WITH BREAKERS OR FILLER PLATES.

Siemens Industry, Inc. Norcross, Georgia U.S.A. **J2** 40901462 0101 Rev.00

© 2016 Copyright Siemens Industry, Inc. Assembled in Mexico
® The National Electrical Code is a registered trademark of the National Fire Protection Association.

IMPORTANT: DO NOT ALLOW PETROLEUM BASED (HYDROCARBON) SPRAYS, CHEMICALS, SOLVENTS OR ANY PAINT TO CONTACT INTERIOR COMPONENTS. PETROLEUM BASED CHEMICALS CAN CAUSE DEGRADATION OF ELECTRICAL INSULATING MATERIALS.

⚠ DANGER
Hazardous Voltage.
Will cause death, serious injury or substantial property damage.



Turn off power supplying this equipment before working inside.

⚠ PELIGRO
Voltaje peligroso. Causará la muerte, lesiones graves o daño substancial a la propiedad.

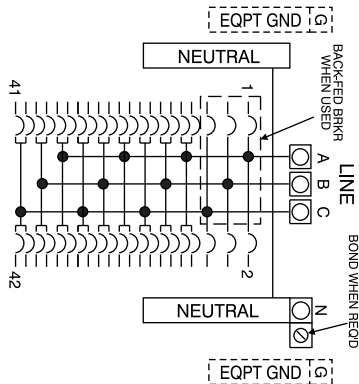
Desconecte el suministro de energía a este equipo antes de trabajar en su interior.

USE COPPER OR ALUMINUM 60°/75°C WIRE

SEE BREAKER MARKINGS FOR WIRE SIZE AND TORQUE REQUIREMENTS.

TERMINALS	WIRE	TORQUE
A, B, C	250kcmil - 4 AWG CU 300kcmil - 4 AWG AL	275 LB-INS
N	4/0 - 6 AWG CU 300kcmil - 6 AWG AL	275 LB-INS
G	2/0 - 6 AWG	110 LB-INS
NEUTRAL/GROUND BARS (USE TYPE EC3GB GROUND BAR KIT ACCESSORY)	10-14 CU/10-12 AL 8 AWG 6-4 AWG	20 LB-INS 25 LB-INS 35 LB-INS
GROUND CONDUCTORS ONLY	(2)or(3) 14 AWG (2) 12-10 AWG	20 LB-INS 20 LB-INS
ECLK1-2 NEUTRAL LUG KIT	2/0 - 4 AWG	45 LB-INS
ECLK2 NEUTRAL LUG KIT	2/0 - 4 AWG	135 LB-INS
ECLK3 NEUTRAL LUG KIT	300 kcmil - 1 AWG	340 LB-INS
MAIN LUG/MAIN BRKR TO BUS CONNECTION (1/4-20 NUT)		45 LB-INS
BONDING SCREW		45 LB-INS

CONDUIT HUBS		ACCESSORIES	
TRADE SIZE	CAT. NO.	DESCRIPTION	CAT. NO.
1-1/4 INCH	ECHS125	FILLER PLATE, 1"	ECQF3
1-1/2 INCH	ECHS150	BREAKER HOLD-DOWN	ECMBR3
2 INCH	ECHS200	SUBFEED LUG KIT	ECLK2125 ECLK2225 ECLK3225
2-1/2 INCH	ECHS250	150-225A MAIN LUG KIT	ECMLK3225
		100A MAIN BREAKER KIT (BACK FED)	MBK3100



SHORT CIRCUIT CURRENT RATING THIS PANELBOARD HAS A MAXIMUM SHORT CIRCUIT CURRENT RATING OF 100,000 AMPS RMS SYMMETRICAL. 240V ~. THE ACTUAL RATING IS DEPENDENT ON THE BRANCH BREAKERS INSTALLED IN THIS PANELBOARD AND THE MAIN/FEEDER BREAKER. IF ANY, INSTALLED AHEAD OF THIS PANELBOARD. IF NO MAIN/FEEDER BREAKER IS USED THE ACTUAL RATING IS EQUAL TO THE LOWEST INTERRUPTING RATING OF ANY INSTALLED BREAKER. THE CORRECT MAIN BREAKER/FEEDER/MAIN BREAKER/BRANCH BREAKER SERIES COMBINATIONS TO BE USED ARE LISTED IN THE TABULATION BELOW. ANY CIRCUIT BREAKER INSTALLED, REPLACED, OR ADDED IN THIS PANELBOARD MUST BE MANUFACTURED BY SIEMENS AND MUST BE OF THE CORRECT TYPE AS INDICATED IN THE TABULATION BELOW. USE OF OTHER CIRCUIT BREAKERS IN THIS EQUIPMENT WILL VOID THE WARRANTY.

MAIN BREAKER	FEEDER/MAIN BREAKER AND THE BREAKER PROTECTING THIS PANELBOARD, SEPARATE OR INTEGRAL, IS A SIEMENS TYPE	BRANCH BREAKER AND THE BRANCH BREAKERS INSTALLED ARE SIEMENS TYPE	THEN THE MAX. SHORT CIRCUIT CURRENT RATING IN RMS SYMMETRICAL AMPS, 120/240 V ~ IS
NONE USED	NONE USED or QP, QJ2, QR2, MP-T, MQ	QP, QG, QT, QAF, QAF2, QFGA2, OPF, OPF2, QE, QNR, MP-T, MG, MH-T, MP-AT, MP-AT2, MP-GAT2, MP-GT, MP-GT2, MP-ET, MD-TR	10,000
	NONE USED	QPH, QAFH, QAFH2, QFGAH2, QPHF, QPHF2, QEH, QNRH, MP-HT, MP-HAT, MP-HAT2, MP-HGAT2, MP-HGT, MP-HGT2, MP-HET, MD-HTR	22,000
	QPH, MP-HT	QP, QG, QT, QAF, QAF2, QFGA2, OPF, OPF2, QE, MP-T, MG, MH-T, MP-AT, MP-AT2, MP-GAT2, MP-GT, MP-GT2, MP-ET, MD-TR	
	QRH2	QP, QG, QT, QAF, QAF2, QFGA2, OPF, OPF2, QE, QNR, MP-T, MG, MH-T, MP-AT, MP-AT2, MP-GAT2, MP-GT, MP-GT2, MP-ET, MD-TR	
	QJH2, MQH	QP*, QG, QT**, QAF, QAF2, QFGA2, OPF, OPF2, QE, MP-T*, MG, MH-T**, MP-AT, MP-AT2, MP-GAT2, MP-GT, MP-GT2, MP-ET	42,000
	QJ2H, MQL	QP*, QPH, MP-T*, MP-HT	
NONE USED	HQP, MP-MT		
SIEMENS BREAKER TYPES FD6(-A), FXD6(-A), JXD2(-A), JD6(-A), JXD6(-A), HJD6(-A), HJXD6(-A), LD6(-A), HLD6(-A), HLDX6(-A), MD6, MXD6, HMD6, HMXD6, NDE, NXD6, HND6, HNXD6, PD6, PDX6, HPD6, HPXD6, RD6, RXD6, HRD6, HRXD6, NFGA, NFGB, NJGA, NJJA, NLGB, NMG, NNG, NPG or CLASS J, T, R or L FUSES	QPH, MP-HT	QP, QPH, QT, QAF, QAFH, QAF2, QAFH2, QFGA2, QFGAH2, OPF, QPHF, OPF2, QPHF2, QE, QEH, QNR, QNRH, MP-HT, MP-HAT, MP-HAT2, MP-HGAT2, MP-HGT, MP-HGT2, MP-HET, MP-HET2	65,000
SIEMENS BREAKER TYPES ED4, ED6	NONE USED or QP, QPH, MP-T, MP-HT		
NONE USED	HQR2	QP, QPH, QT, QAF, QAFH, QAF2, QAFH2, QFGA2, QFGAH2, OPF, QPHF, OPF2, QPHF2, QE, QEH, QNR, QNRH, MP-T, MP-HAT, MP-HAT2, MP-HGAT2, MP-HGT, MP-HGT2, MP-HET, MP-HET2, MD-TR, MD-HTR	
SIEMENS BREAKER TYPES FD6(-A), FXD6(-A), JXD2(-A), JD6(-A), JXD6(-A), HJD6(-A), HJXD6(-A), LD6(-A), HLD6(-A), HLDX6(-A), MD6, MXD6, HMD6, HMXD6, NDE, NXD6, PDX6, HPD6, HPXD6, RD6, RXD6, HRD6, HRXD6, NFGA, NFGB, NJGA, NJJA, NLGB, NMG, NNG, NPG	QR2, QRH2	QP, QPH, QT, QAF, QAFH, QAF2, QAFH2, QFGA2, QFGAH2, OPF, QPHF, OPF2, QPHF2, QE, QEH, QNR, QNRH, MP-T, MP-HAT, MP-HAT2, MP-HGAT2, MP-HGT, MP-HGT2, MP-HET, MP-HET2, MD-TR, MD-HTR	100,000
SIEMENS BREAKER TYPES FD6(-A), FXD6(-A)	NONE USED or QJ2, QJH2, MQ, MQH, MQL	QP, QPH, QAF, QAFH, QAF2, QAFH2, QFGA2, QFGAH2, OPF, QPHF, OPF2, QPHF2, MP-T, MP-HT, MP-AT, MP-HAT, MP-AT2, MP-HAT2, MP-HGAT2, MP-HGT, MP-HGT2, MP-ET, MP-HET, MD-TR, MD-HTR	
SIEMENS BREAKER TYPES JXD2(-A), JD6(-A), JXD6(-A), LD6(-A), LXD6(-A), HLD6(-A), HLDX6(-A), NFGA, NFGB, NJGA, NJJA, NLGB CLASS J, T, R, or L FUSES	QJH2, QJ2H, MQH, MQL	QPH, QFGA2, QFGAH2, MP-HT, MP-GAT2, MP-HGAT2	
NONE USED	NONE USED	QPH, MP-HT, QNR, QNRH	100,000
NONE USED	HQR2H		
SIEMENS BREAKER TYPES HFD6, HFXD6, HJD6(-A), HJXD6(-A), HLD6(-A), HLDX6(-A), HMD6, HMXD6, HND6, HNXD6, HPD6, HPXD6, HRD6, HRXD6, HFGA, HFGB, HJGA, HJGB, HMG, HNG, HPG, or CLASS J, R, or T FUSES	QR2, QRH2, HQR2	QP, QPH, HQP, QT, QAF, QAFH, QAF2, QAFH2, HQAF2, QFGA2, QFGAH2, HOPF2, HOPF2, QEH, QPHF, QPHF2, QPHF2, HOPF2, QE, QEH, MP-T, MP-HAT, MP-AT, MP-HAT, MP-AT2, MP-HAT2, MP-MAT2, MP-GAT2, MP-GAT2, MP-MGAT2, MP-MGT2, MP-ET, MP-HET	
HFD6, HFXD6, or CLASS T (300V, 200 A MAX) FUSES	NONE USED or QP, QPH, HQP, QJ2, QJH2, MQ, MP-T, MP-HT, MP-MT, MQ, MQH, MQL	QPH, HQP, QAF2, QAFH2, HQAF2, QFGA2, QFGAH2, HOPF2, MP-HT, MP-AT, MP-AT2, MP-HAT2, MP-MAT2, MP-GAT2, MP-GAT2, MP-MGAT2, MP-MGT2, MP-ET, MP-HET	
HFGA, HFGB or CLASS T (300V, 600 A MAX) FUSES	QPH, HQP, MP-HT, MP-MT	QPH, HQP, QAF2, QAFH2, HQAF2, QFGA2, QFGAH2, HOPF2, MP-HT, MP-AT, MP-AT2, MP-HAT2, MP-MAT2, MP-GAT2, MP-HGAT2, MP-MGAT2	

*60-100 AMP ONLY FOR 3 POLE BREAKERS **15, 20 AND 40 AMP BREAKERS ONLY

0R180-2581