

SIEMENS

Switchboard/Power Panel Kit SNBD/SNB for Branch Mounting Type NGB Breakers

Installation Instructions

9. Reference fig. 9 - Installing the Neutral Lug Assembly (item 14). The Branch Neutral is mounted at the bottom of the "Z-rails", or mirrored at the top depending upon the feed cable location. The Neutral Lug Assembly (item 14) can be mounted (as shown) on either side of the Branch Neutral depending on cable feed location. Torque all hardware as specified on the rear of the dead front.

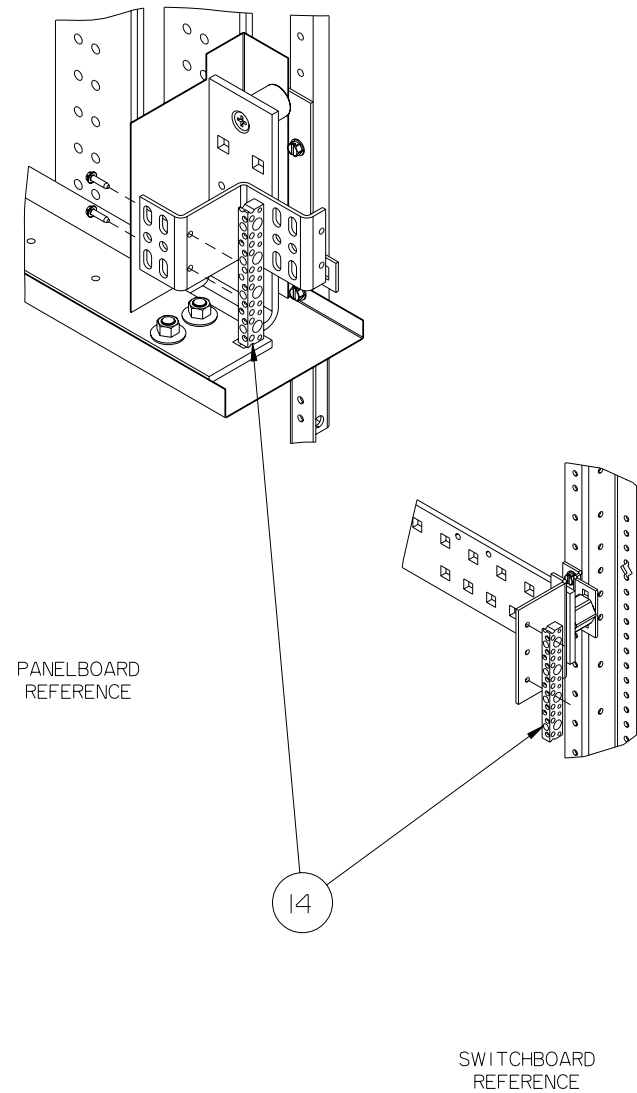


Figure 9

10. Install the Breaker Cover Plate (item 7), use Filler Plate Assemblies (item 15) to cover empty circuit breaker slots. Reinstall the dead front using the breaker cover plate supplied with this kit. Other cover plates may be required for proper fit. See filler plate kits listed on the rear of the dead front.

Installation Instructions

The following instructions are for the installation of Siemens NGB Breakers in switchboard or shallow/deep panelboards. This kit will require 3-3/4" of unit space. The parts provided in this kit are for connections to a 3 phase / 3 wire or 3 phase / 4 wire system.



DANGER

Hazardous voltage.
Will cause death or serious injury.

Keep out.
Qualified personnel only.
Disconnect and lock off all power before working on this equipment.

1. Lock off power supplying this equipment before working on it.
2. Reference fig. 1 - Remove the (2) gutter covers and cover plates.

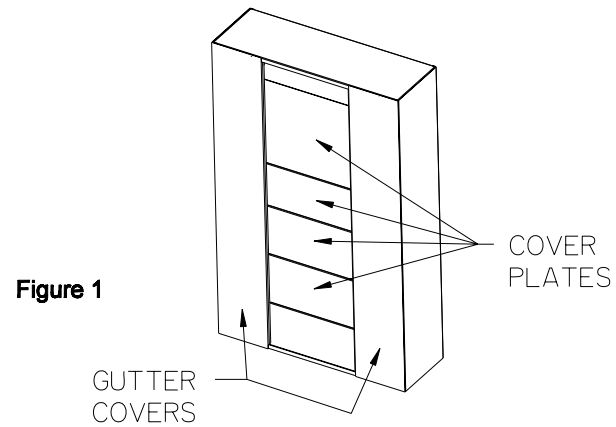


Figure 1

3. Reference fig. 2 - To mount a NGB Breaker, 3-3/4" of empty unit space is required. To locate the mounting position, measure from the top dead front support to the top of the empty unit space filler on the dead front. Transfer this dimension from the dead front support along the Z-rail and mark. This will be the unit space as shown on Fig. 4. After marking the Z-rail, remove the dead front.

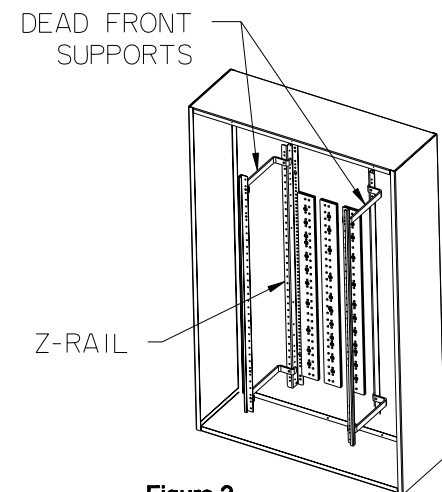


Figure 2

4. Open the shipping box and check the hardware against the following list.

ITEM	DESCRIPTION	QTY.
1	NGB BREAKER INSTALLATION INSTR	1
2	A/C PHASE STRAP	2
3	B PHASE STRAP	1
4	TOP BARRIER	1
5	BARRIER SUPPORT	2
6	A/C BRANCH CONNECTOR	2
7	BREAKER COVER PANEL	1
8	CARD HOLDER	6
9	CIRCUIT ID CARD	1
10	STRAP - SECTION BUS HARDWARE KIT	1
11	10-32 HEX WASHER HEAD SCREW	6
12	10-24 X 3/8" SHWHSW	2
13	1/4-20 X 3/8" SHWHSW	6
14	NEUTRAL LUG ASSEMBLY	1
15	EQ FILLER PLATE	5
16	BOX	1
17	CARTON LABEL	1

5. Reference fig. 4 - Installing the Phase Straps. Locate two 0.228" diameter holes in the A∅ Bus 1-1/4" down from the top of the 3-3/4" empty unit space selected. Insert two 1/4-20 thread forming screws (see mounting hardware kit for the proper length) through two 0.281" diameter holes in an A/C Strap (item 2) and into the holes in the two selected holes in the A∅ Bus (orienting the A/C Strap as shown) and tighten. Repeat this step to mount the second A/C Phase Strap to the C∅ Bus using two 0.228" diameter holes in the C∅ Bus down 1-1/4" from the holes used on the A∅ Bus and tighten. Insert another 1/4-20 thread forming screw through the 0.281" diameter hole in the B∅ Strap (item 3) and into a 0.228" diameter hole in the B∅ Bus down 1-1/4" down from and 3-5/8" to the right of those used on the A∅ Bus (orienting the B∅ Strap as shown) and tighten. Torque all hardware as specified on the rear of the deadfront.

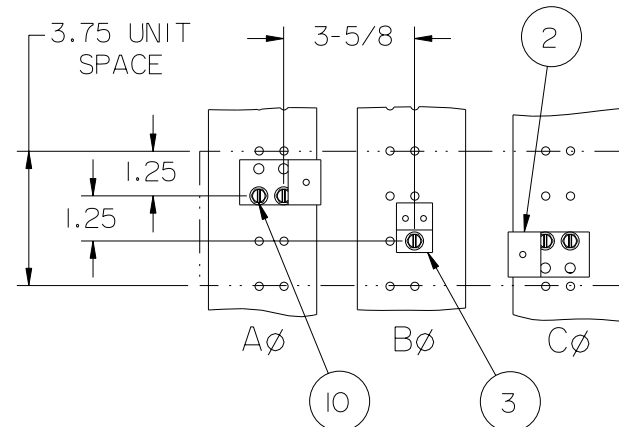


Figure 4

6. Reference fig. 5 - Attach the Barrier Supports. Locate a 0.228" diameter hole in the left Z-rail 1-7/8" below the top of the empty unit space selected. Insert a 1/4-20 X 3/8" screw (item 13) through the ∅0.312 hole in a Barrier Support (item 5) and into the selected hole in the Z-rail (orienting the Barrier Support as shown) and tighten. Repeat this step for the second Barrier Support. Torque all hardware as specified on the rear of the deadfront.

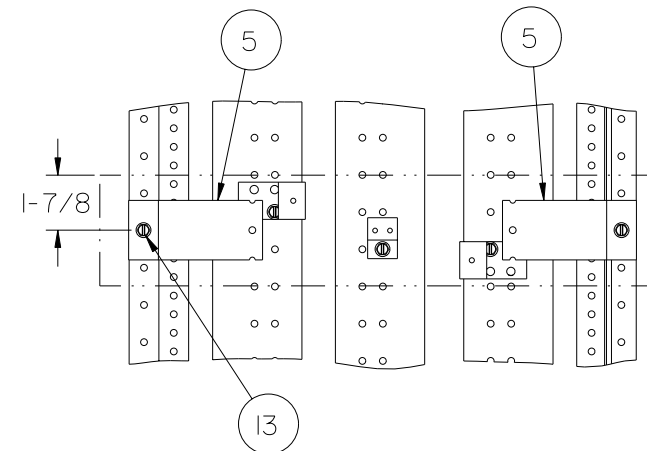


Figure 5

7. Reference fig. 6 - Installing the Top Barrier and Branch Connectors. Insert a 1/4-20 X 3/8" screw (item 13) through each of the 0.25" diameter holes in the Top Barrier (item 4) and into the 0.228" diameter holes in the Barrier Supports and tighten. Insert a 10-24 X 3/8" screw (item 12) through the 0.218" diameter hole in a Branch Connector (item 6) and into the 0.171" diameter hole in the A∅ Strap and tighten. Insert a 10-24 X 3/8" screw (item 12) through the 0.218" diameter hole in a Branch Connector (item 6) and into the 0.171" diameter hole in the C∅ Strap and tighten. Torque all hardware as specified on the rear of the deadfront.

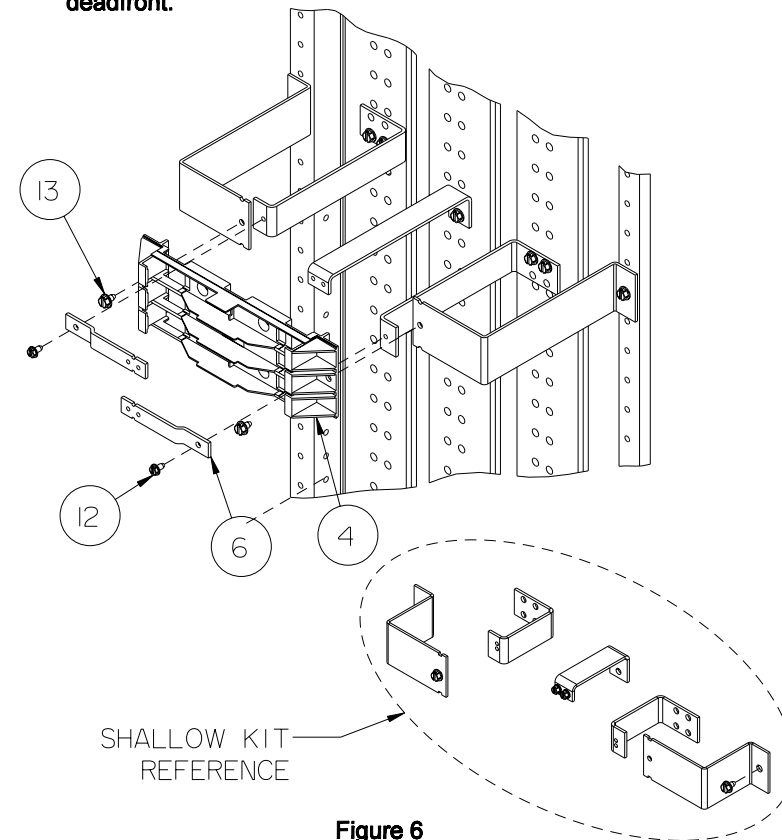


Figure 6

8. Reference figs. 7 and 8 - Installing an NGB Circuit Breaker. Position an NGB type breaker so that the notch in the underside of the breaker case aligns with the uppermost latching tab on either side of the Top Barrier (item 4). Slide the breaker across the barrier surface until the breaker notch engages the tab in the barrier. Insert a 10-32 washer head screw (item 11) through each breaker line connector tab hole and fasten into the Branch Connector (item 6). Torque all hardware as specified on the rear of the deadfront.

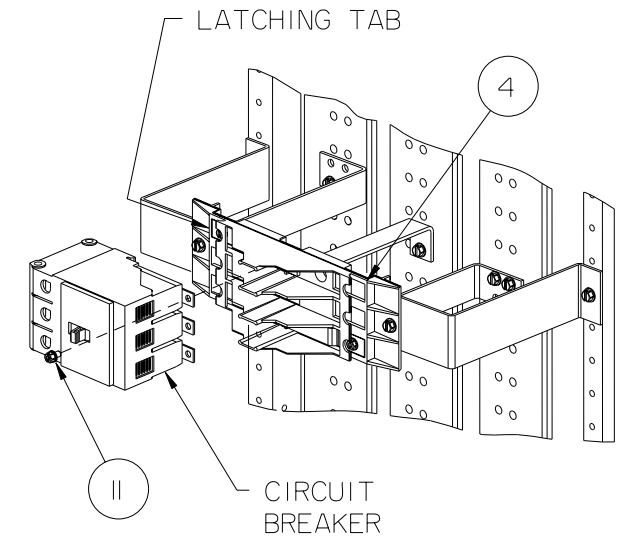


Figure 7

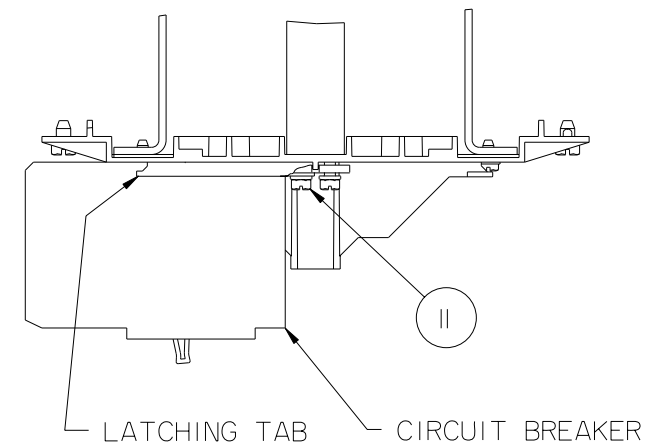


Figure 8

NOTE: If a Branch Neutral Lug Assembly is NOT Required Skip To Step 10.