

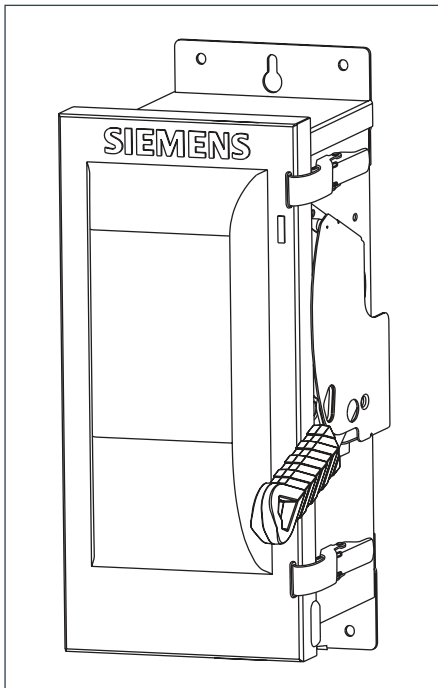
# SIEMENS

Data Sheet

## VBI Heavy Duty Safety Switch

30A, 240V – 600V, Type 4X

[usa.siemens.com/switches](http://usa.siemens.com/switches)



### Standards and Ratings

- UL Listed under file #E4776
- Meets UL98 for switches and UL 50 for enclosures
- Meets NEMA Standard KS-1 for enclosed switches
- Meets NEC wire bending space requirements
- Rated 10,000 AIC with Class H fuses or 200,000 AIC with Class R and J fuses
- Rated 100,000 AIC at 600Vdc with Class R or J fuses
- 12t rated ( $\text{Amps}^2 \times \text{Seconds} = 50,000$ )
- 12X overload current rating exceeds 10X industry standard
- Suitable for use as service entrance equipment
- Includes internal shields which meet 2020 NEC 230.62 line side barrier requirements

### Features

- Quick-make and break switching action
- Double break visible blade design
- Highly visible ON/OFF indication
- Rugged installer friendly enclosure design
- Modular design allows quick and easy replacement of parts
- Front removable lugs which can easily be converted to copper body or compression type lugs
- Defeatable dual cover interlock

# Product Specifications

## Heavy Duty 30A, 240 - 600V Type 4X

### General Information

Catalog Number	Volts	Description	Shipping Weight (lbs.)
HF221S	240	2 Pole, 2 Wire Fusible	13
HF321S	240	3 Pole, 3 Wire, Fusible	14
HF321SS <sup>5</sup>	240	3 Pole, 3 Wire, Fusible	14
HF261S	600	2 Pole, 2 Wire Fusible	15
HF361S	600	3 Pole, 3 Wire, Fusible	15
HF361SS <sup>5</sup>	600	3 Pole, 3 Wire, Fusible	15

### Horsepower Ratings<sup>1,2</sup> – 240 Volts

Catalog Number	1 Phase, 240V AC		3 Phase, 240V AC		250V DC
	Std	Max	Std	Max	
HF261S	1½	3	3	7½	5
HF361S & HF361SS	1½	3	3	7½	5

### Horsepower Ratings<sup>1,2</sup> – 600 Volts

Catalog Number	1 Phase, 480V AC		3 Phase, 600V AC		600V DC
	Std	Max	Std	Max	
HF261S	—	— <sup>3</sup>	—	— <sup>3</sup>	15
HF361S & HF361SS	5	15	7½	20	— <sup>4</sup>

### Mechanical Lug Wire Range (60/75°C, Cu/Al)

Description	Wire Range
Line, Load Neutral	#12-6 AWG (Al) or #14-6 AWG (Cu)
Ground	#14-4 AWG

### Compression Lugs<sup>7</sup>

Wire Size	Burndy		Thomas-Betts		IlSCO	
	CU Only	CU/AL	CU Only	CU/AL	CU Only	CU / AL
#14-10	—	—	—	60096 60097	—	—
#8	YA8C-L BOX YA8C-L1 BOX	—	54104 54130	60101 60102 62202	CRA-8	ACL-8 ACN-8
#8	—	—	—	61107	—	—

<sup>1</sup> Dual horsepower ratings: Std - applies when non-time delay fuses are installed.  
Max - applies when time-delay fuses are installed.

<sup>2</sup> Horsepower ratings listed also apply to Design E motors with no derating.

<sup>3</sup> Also rated 7½ HP at 480V, 1 phase and 10HP at 600V, 1 phase.

<sup>4</sup> Also rated 5HP at 250V DC.

<sup>5</sup> The enclosure of these switches is constructed from 316 grade stainless steel.

<sup>6</sup> Place "DOOR" at the end of the switch catalog number.

<sup>7</sup> If compression lugs are used for the neutral, order compression lug neutral barrier kit HCL612.

### Accessories

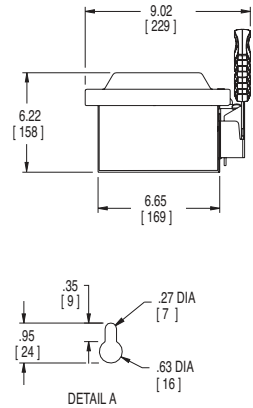
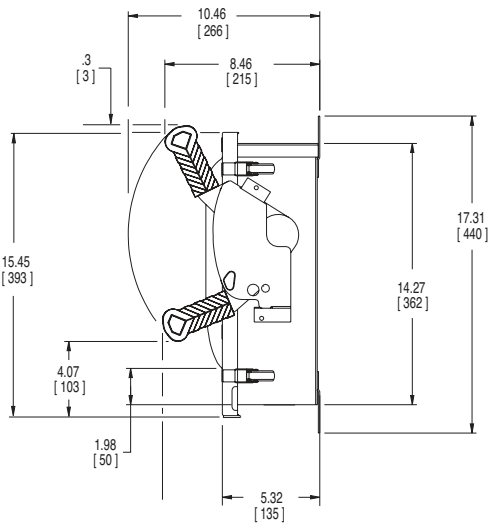
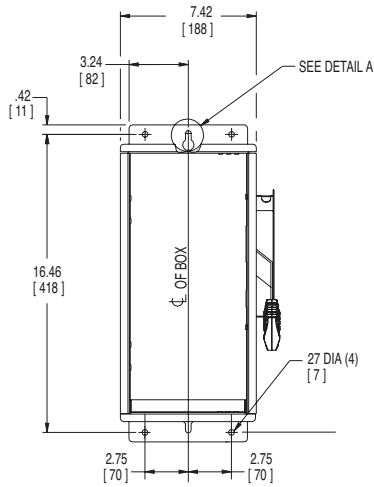
Catalog Number	Description
HA161234	One Normally Open and Closed Auxiliary Switches
HA261234	Two Normally Open and Closed Auxiliary Switches
HA361234	Low Voltage Auxiliary Switch
HG61234	Equipment Ground Lug Kit
HG261234	Isolated Equipment Ground Lug Kit
HP61	Fuse Puller (3 per kit)
HN612	Neutral Kit
HR21	240 Volt Class R Fuse Clip Kit (3 fuse clips per kit) (HF221S, HF321S)
HR612	600 Volt Class R Fuse Clip Kit (3 fuse clips per kit) (HF261S, HF361S)
HLC612	Copper Lug Kit (9 lugs per kit)
HCL612	Compression Lug Neutral Barrier Kit
SSH075	0.75" Type 4/4X Hub
SSH100	1.00" Type 4/4X Hub

### Replacement Parts

Catalog Number	Description
HF21	240 Volt Line Side Replacement Base (HF221S, HF321S)
HBB21	240 Volt Load Side Replacement Base (HF221S, HF321S)
HF612	600 Volt Line Side Replacement Base (HF261S, HF361S)
HBB612	600 Volt Load Side Replacement Base (HF261S, HF361S)
HH6123S	Replacement Handle/Handle Guard
HL612	Replacement Lugs (3 lugs per kit)
HM6123S	Replacement Mechanism
6	Replacement Door

# Dimension Drawings

## Heavy Duty 30A, 240 - 600V Type 4X



No knockouts in enclosures.  
 Dimensions shown in inches and millimeters ( ).  
 Dimension shown accurate to  $\pm \frac{1}{16}$  inch.

	LINE SIDE WIRE BEND	LOAD SIDE WIRE BEND
240V fused	3.02 (77)	5.36 (136)
600V fused	3.02 (77)	2.61 (66)

HF221S, HF321S, HF261S & HF361S  
 Enclosure: 304 Stainless Steel  
 .055 Thick (17 Gauge)  
 HF321SS & HF361SS  
 Enclosure: 316 Stainless Steel  
 .055 Thick (17 Gauge)

**Published by**  
**Siemens Industry, Inc. 2021.**

Siemens Industry, Inc.  
 3617 Parkway Ln  
 Peachtree Corners, GA 30092

For more information, please contact  
 our Customer Support Center.  
 Phone: 1-800-241-4453  
 E-mail: [info.us@siemens.com](mailto:info.us@siemens.com)

[usa.siemens.com/switches](http://usa.siemens.com/switches)

Order No.: SSDS-HF34X-0521  
 Printed in U.S.A.  
 © 2021 Siemens Industry, Inc.

The technical data presented in this document is based on an actual case or on as-designed parameters, and therefore should not be relied upon for any specific application and does not constitute a performance guarantee for any projects. Actual results are dependent on variable conditions. Accordingly, Siemens does not make representations, warranties, or assurances as to the accuracy, currency or completeness of the content contained herein. If requested, we will provide specific technical data or specifications with respect to any customer's particular applications. Our company is constantly involved in engineering and development. For that reason, we reserve the right to modify, at any time, the technology and product specifications contained herein.