

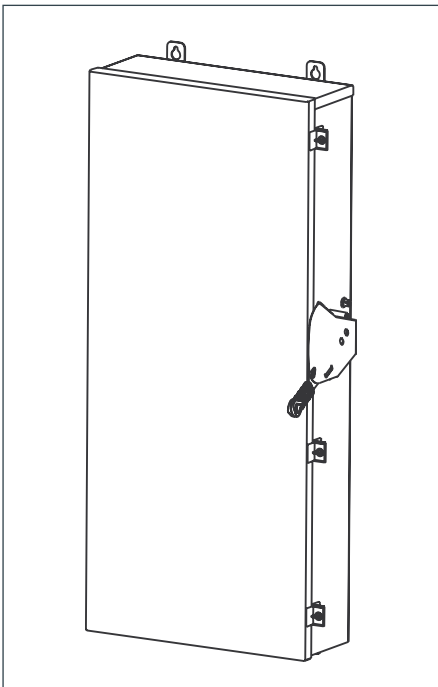
# SIEMENS

Data Sheet

## VBI Heavy Duty Safety Switch

800A & 1200A, 240V–600V, Type 4/4X

[usa.siemens.com/switches](http://usa.siemens.com/switches)



### Standards and Ratings

- UL Listed under file #E4776
- Meets UL98 for switches and UL 50 for enclosures
- Meets NEMA Standard KS-1 for enclosed switches
- Rated 200,000 AIC with Class L or T fuses
- Suitable for use as service entrance equipment

### Features

- Quick-make and break switching action
- Visible blade design
- Highly visible ON/OFF indication
- Modular design allows quick and easy replacement of parts
- Defeatable dual cover interlock
- Viewing windows for "Off" visual confirmation with door closed

# Product Specifications

## Heavy Duty 800 & 1200, 240 - 600V Type 4/4X

### General Information

Catalog Number	Amps	Volts	Description	Shipping Weight (lbs.)
HF327S <sup>1</sup>	800	240	3 Pole, 3 Wire Fusible	370
HF367S	800	600	3 Pole, 3 Wire Fusible	370
HF368S	1200	600	3 Pole, 3 Wire, Fusible	388
HF367SW <sup>2</sup>	800	600	3 Pole, 3 Wire, Fusible, Viewing Window	370
HF368SW <sup>2</sup>	1200	600	3 Pole, 3 Wire, Fusible, Viewing Window	388

### Horsepower Ratings <sup>3</sup> – 240 Volts

Catalog Number	1 Phase, 240V AC		3 Phase, 480V AC		250V DC
	Std	Max	Std	Max	
HF327S	—	—	100	250	—

### Horsepower Ratings <sup>3</sup> – 600 Volts

Catalog Number	3 Phase, 480V AC		3 Phase, 600V AC		600V DC
	Std	Max	Std	Max	
HF367S	200	500	250	500	—
HF368S					
HF367SW					
HF368SW					

### Mechanical Lug Wire Range (75°C, Cu/Al)

Description	Wire Range
Line, Load (800A)	(3) 1/0 AWG - 750 Kcmil
Line, Load (1200A)	(4) 1/0 AWG - 750 Kcmil
Neutral	(4) 1/0 AWG - 750 Kcmil
Ground	(4) #6 AWG - 250 Kcmil

### Compression Lugs (Factory Installed mounting kit HCL67T for top and HCL678 for bottom required)

Wire Size	Burdny		Thomas-Betts		Ilsco	
	CU Only	CU/AL	CU Only	CU/AL	CU Only	CU / AL
2/0	YA26-N	YA26-A1	54160 54951BE	—	—	IACL-2/0 ACN-2/0
3/0	YA27-L Box YA27	YA27A3	54165-TB 54965BE	—	CRB-3/0 CRB-3/0L	IACL-3/0 ACL-3/0
4/0	YA28-L Box YA28	YA28A3	54170 54970BE	60150	CRB-4/0 CRB-4/0L	IACL-4/0 ACN-4/0
250 Kcmil	YA29-L Box YA29	YA29A1	54113 54913BE	61156 60156	CRA-250 CRA-250L	IACL-250 ACL-250
300 Kcmil	YA30-L YA30	YA30A1	54114 54914BE	61162 60162	CRA-300 CRA-300L	IACL-300 ACL-300
350 Kcmil	YA31-L YA31	YA31A1	54915BE	61165 60165	CRA-350 CRA-350L	IACL-350 ACL-350
400 Kcmil	YA32-N	—	54116 54916BE	—	—	—
500 Kcmil	YA34-L6 YA34-N	—	—	61171	—	IACL-500

1 This switch is suitable for use on grounded phase B systems.

2 "W" in catalog number suffix indicates switch with Viewing windows.

3 Dual horsepower ratings: Std - applies when non-time delay fuses are installed.  
Max - applies when time-delay fuses are installed.

4 Catalog number HLC65678 factory installed only.

5 Catalog number HCL65678 factory installed only.

### Accessories

Catalog Number	Description
HA165678	One Normally Open and Closed Auxiliary Switches
HA265678	Two Normally Open and Closed Auxiliary Switches
HA365678	Low Voltage Auxiliary Switch
HG678	Equipment Ground Lug Kit (Factory installed)
HN678	Neutral Kit
TFAK72	800A, 240V Class T Fuse Mounting Kit (1 per pole)
TFAK75	800A, 600V Class T Fuse Mounting Kit (1 per pole)
4	Copper Lug Kit (1 lug per kit)
5	Compression Lug Mounting Kit (2 kits/pole required allows (4) lugs/Ø)

### Replacement Parts

Catalog Number	Description
HFB67A <sup>6 7</sup>	800A, Fusible Line Side Replacement Base
HBB67A <sup>6 7</sup>	800A, Fusible Load Side Replacement Base
HM67	800A, Replacement Mechanism
HL67 <sup>8</sup>	800A, Replacement Lugs
HH65678S	800A, Replacement Handle/Handle Guard
HFB68 <sup>6 7</sup>	1200A, Line Side Replacement
HBB68 <sup>6 7</sup>	1200A, Load Side Replacement
HM678	1200A, Replacement Mechanism
HH68S	1200A, Replacement Handle/Handle Guard
9	Replacement Door

6 Each Line and Load Replacement Base contains one pole.

7 Lugs are provided on Line and Load Replacement Base Assemblies.

8 One lug required per pole for either line or load.

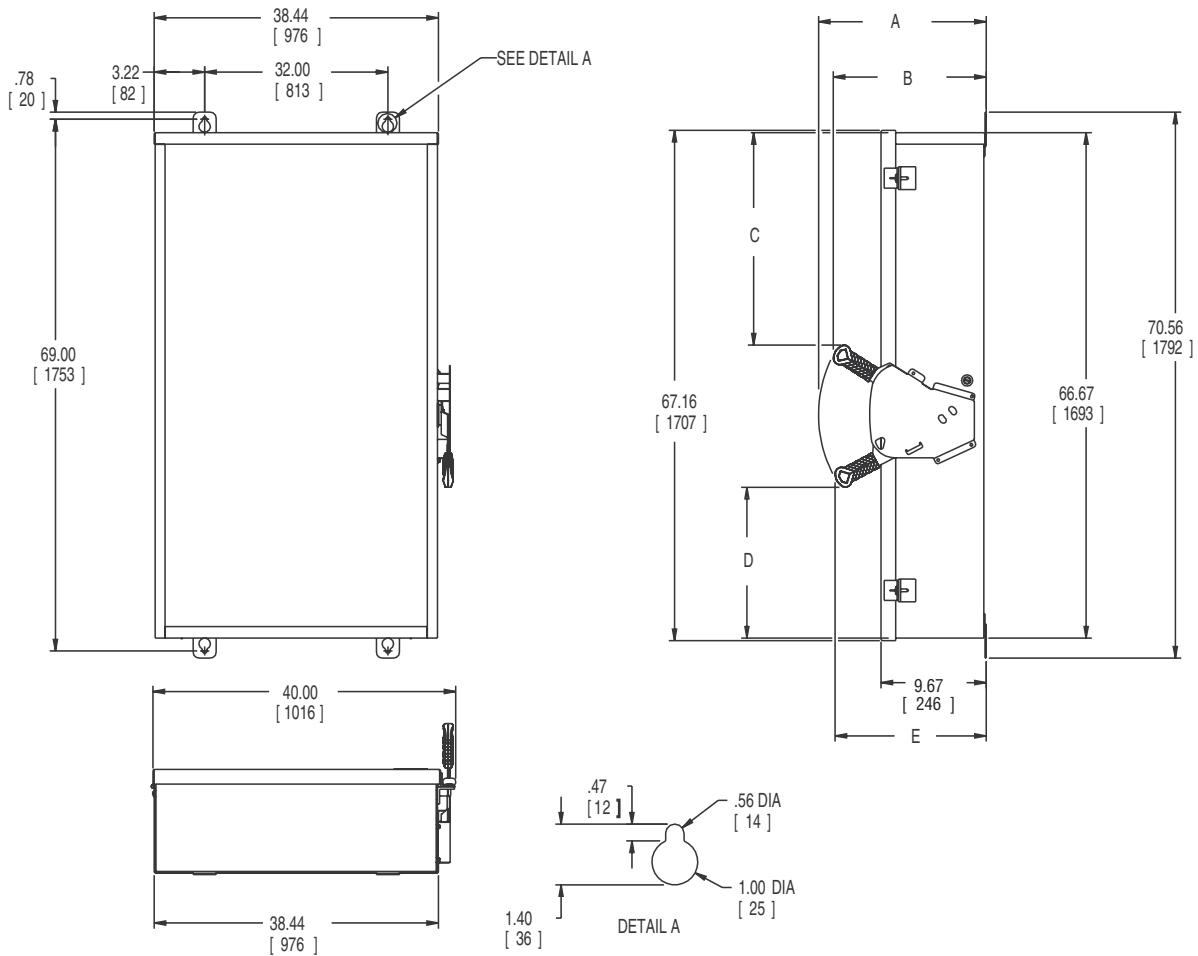
9 Place "DOORA" at the end of the switch catalog number.

# Dimension Drawings

## Heavy Duty 800 & 1200, 240 - 600V Type 4/4X

Dimensions Inches (mm)

Cat. No.	A	B	C	D	E
HF327S HF367S HF367SW	14.68 (373)	13.44 (341)	24.02 (610)	30.46 (774)	13.25 (337)
HF368S HF368SW	17.80 (452)	16.07 (408)	21.90 (556)	29.90 (759)	16.06 (408)



No knockouts in enclosure.  
Dimensions show in inches and millimeters(.).  
Dimension shown accurate to  $\pm \frac{1}{8}$  inch.

	LINE SIDE WIRE BEND	LOAD SIDE WIRE BEND
240V Fused	22 (559)	22 (559)
600V Fused	22 (559)	22 (559)

Enclosure: 304 Stainless Steel  
Box .093 Thick (12 Gauge)  
Cover .123 Thick (10 Gauge)

Published by  
**Siemens Industry, Inc. 2021.**

Siemens Industry, Inc.  
3617 Parkway Ln  
Peachtree Corners, GA 30092

For more information, please contact  
our Customer Support Center.  
Phone: 1-800-241-4453  
E-mail: info.us@siemens.com

[usa.siemens.com/switches](http://usa.siemens.com/switches)

Order No.: SSDS-HF78S-1121  
Printed in U.S.A.  
© 2021 Siemens Industry, Inc.

The technical data presented in this document is based on an actual case or on as-designed parameters, and therefore should not be relied upon for any specific application and does not constitute a performance guarantee for any projects. Actual results are dependent on variable conditions. Accordingly, Siemens does not make representations, warranties, or assurances as to the accuracy, currency or completeness of the content contained herein. If requested, we will provide specific technical data or specifications with respect to any customer's particular applications. Our company is constantly involved in engineering and development. For that reason, we reserve the right to modify, at any time, the technology and product specifications contained herein.