

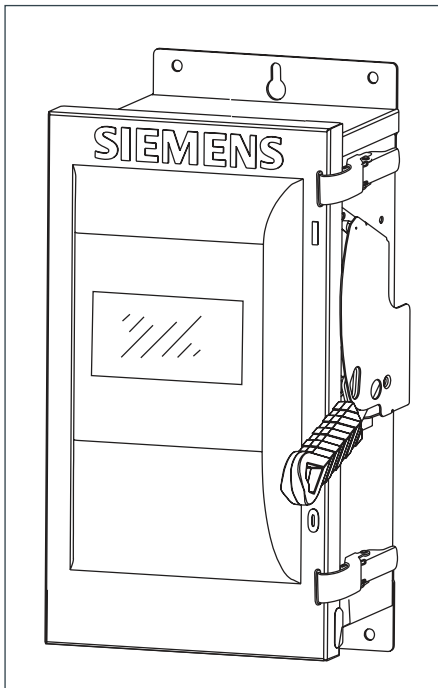
SIEMENS

Data Sheet

VBII Heavy Duty Safety Switch with Viewing Window

60A, 600V, Type 12 and 4/4X

usa.siemens.com/switches



Standards and Ratings

- UL Listed under file #E4776
- Meets UL98 for switches and UL50 for enclosures
- Meets NEMA Standard KS-1 for enclosed switches
- Meets NEC wire bending space requirements
- Rated 10,000 AIC with Class H fuses or 200,000 AIC with Class R and J fuses
- Rated 100,000 AIC at 600Vdc with Class R or J fuses
- 12t rated ($\text{Amps}^2 \times \text{Seconds} = 200,000$)
- 12X overload current rating exceeds standard 10X industry standard
- Suitable for use as service entrance equipment
- Includes internal shields which meet NEC 2020 230.62 line side barrier requirements

Features

- Quick-make and break switching action
- Double break visible blade design
- Highly visible ON/OFF indication
- Window permits viewing of both visible blades and indicating type fuses
- Rugged installer friendly enclosure design
- Modular design allows quick and easy replacement of part
- Front removable lugs which can easily be converted to copper body or compression type lugs
- Defeatable dual cover interlock

Product Specifications

Heavy Duty 600A, 600V Type 12 and 4/4X

General Information

Catalog Number	Volts	Description	Shipping Weight (lbs.)
Type 12 Industrial ¹			
HF362JW	600	3 Pole, 3 Wire Fusible	22
HNF362JW	600	3 Pole, 3 Wire Non-Fusible	20
Type 4/4X Stainless Steel			
HF362SW	600	3 Pole, 3 Wire, Fusible	23
HF362SSW ⁶	600	3 Pole, 3 Wire, Fusible	23
HNF362SW	600	3 Pole, 3 Wire Non-Fusible	23
HNF362SSW ⁶	600	3 Pole, 3 Wire Non-Fusible	23

Horsepower Ratings ^{2 3 4} – 600 Volts

Catalog Number	3 Phase, 480V AC		3 Phase, 600V AC		250V DC
	Std	Max	Std	Max	
HF362JW	15	30	15	50	25
HF362SW	15	30	15	50	25
HF361SSW	15	30	15	50	25
HNF362JW ⁵	—	50	—	60	25
HNF362SSW ⁵	—	50	—	60	25
HNF362SSW	—	50	—	60	25

Mechanical Lug Wire Range (60/75°C, Cu/Al)

Description	Wire Range
Line, Load Neutral	#12-2 AWG (Al) or #14-2 AWG (Cu)
Ground	#14-4 AWG

Compression Lugs ⁸

Wire Size	Burdndy		Thomas-Betts		IlSCO	
	CU Only	CU/AL	CU Only	CU/AL	CU Only	CU/AL
#14-10	—	—	256-30695-1352	60097	—	—
#8	YA8C-L1 BOX YA8C-TC14	YA8CA3	54130 54930BE	60102 61102	—	ACL-8
#6	YA6C-L BOX YA6C	YA6CA1	54105 54905BE	60107 61107	CRB-6 CRB-6L	ACL-6
#4	—	—	54106	61112	CRB-4	—

¹ Also rated 3R/3S for outdoor use.

² Horsepower ratings listed also apply to Design E motors with no derating.

³ Dual horsepower ratings: Std - applies when non-time delay fuses are installed.
Max - applies when time-delay fuses are installed.

⁴ Also rated 10HP at 250V AC systems.

⁵ Also rated 20HP on 3Ø, 240V AC systems

⁶ The enclosure of catalog numbers HF362SSW and HNF362SSW is constructed from 316 grade stainless steel.

⁷ Place "DOOR" at the end of the switch catalog number.

⁸ If compression lugs are used for the neutral, order compression lug neutral barrier kit HCL623.

Accessories

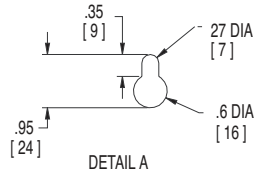
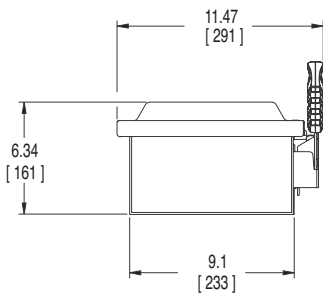
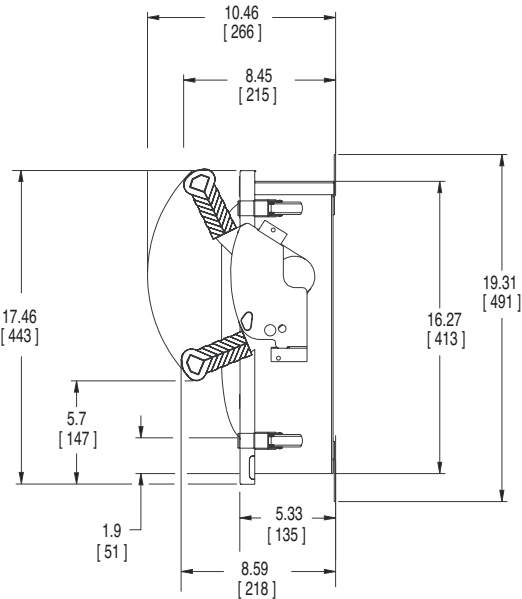
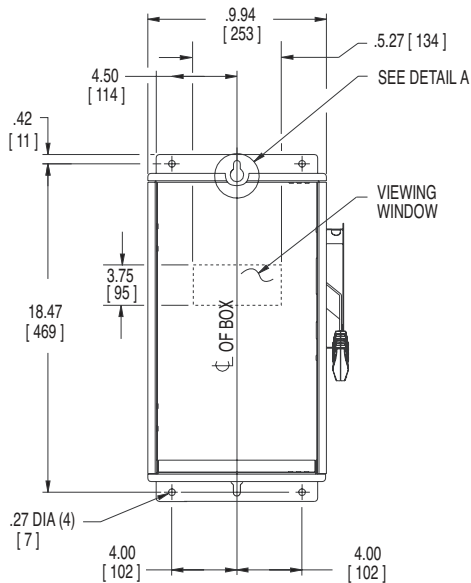
Catalog Number	Description
HA161234	One Normally Open and Closed Auxiliary Switches
HA261234	Two Normally Open and Closed Auxiliary Switches
HA361234	Low Voltage Auxiliary Switch
HG61234	Equipment Ground Lug Kit (Factory installed)
HG261234	Isolated Equipment Ground Lug Kit
HP62	Fuse Puller
HN623	Neutral Kit
HR62	600 Volt Class R Fuse Clip Kit (3 fuse clips per kit)
HLC612	Copper Lug Kit (9 lugs per kit)
HLC623	Compression Lug Neutral Barrier Kit
SSH100	1.00" Type 12 and 4X Hub
SSH150	1.50" Type 12 and 4X Hub

Replacement Parts

Catalog Number	Description
HFB62	Fusible Line Side Replacement Base (HF362JW, HF362SW)
HBB62	Fusible Load Side Replacement Base (HF362JW, HF362SW)
HN623	Non-Fusible 600 Replacement Base (HNF362JW, HNF362SW)
HH6123	Replacement Handle/Handle Guard (HH6123S for Type 4X)
HL612	Replacement Lugs (3 lugs per kit)
HM6123	Replacement Mechanism (HM6123S for Type 4X)
⁷	Replacement Door

Dimension Drawings

Heavy Duty 600A, 600V Type 12 and 4/4X



Type 12 Enclosure: Galvanized Steel
 .054 Thick (17 Gauge)
 Finish: ANSI Grey #61 Paint

HF362SW and HNF362SW
 Type 4X Enclosure: 304 Stainless Steel
 .055 Thick (17 Gauge)

HF362SSW and HNF362SSW
 Type 4X Enclosure: 316 Stainless Steel
 .055 Thick (17 Gauge)

	LINE SIDE WIRE BEND	LOAD SIDE WIRE BEND
600V fused	3.54 (90)	3.57 (91)
Non-Fused	3.54 (90)	8.68 (220)

No knockouts in enclosures.
 Dimensions shown in inches and millimeters ().
 Dimension shown accurate to $\pm 1/8$ inch.

Published by
Siemens Industry, Inc. 2021.

Siemens Industry, Inc.
 3617 Parkway Ln
 Peachtree Corners, GA 30092

For more information, please contact
 our Customer Support Center.
 Phone: 1-800-241-4453
 E-mail: info.us@siemens.com

usa.siemens.com/switches

Order No.: SSDS-HF6SW-0521
 Printed in U.S.A.
 © 2021 Siemens Industry, Inc.

The technical data presented in this document is based on an actual case or on as-designed parameters, and therefore should not be relied upon for any specific application and does not constitute a performance guarantee for any projects. Actual results are dependent on variable conditions. Accordingly, Siemens does not make representations, warranties, or assurances as to the accuracy, currency or completeness of the content contained herein. If requested, we will provide specific technical data or specifications with respect to any customer's particular applications. Our company is constantly involved in engineering and development. For that reason, we reserve the right to modify, at any time, the technology and product specifications contained herein.