

600V DC Solar Photovoltaic Switches Type VBII, 30 Amp, Type 1 (Indoor)

Standards and Ratings

- UL Listed and specifically designed and tested for use with three separate 600V DC circuits
- Specific catalog numbers are available for use with negative and for positive ground system
- Switches comply with UL98 requirements and are UL listed in file number E335018 as UL1741 Photovoltaic Disconnect switches
- Door labeling as required by Article 690 of the NEC supplied as standard
- Rated 10,000 AIC when protected by Class K, J or R fuses rated at 600V DC
- UL approved for field installation of optional copper body and crimp type terminals

Features

- Innovative magnetic arc suppression incorporated into the line base
- Quick-make and break switching action
- Double break visible blade design
- Highly visible ON/OFF indication
- Rugged installer friendly enclosure design
- Front removable line and load lugs which can easily be converted to copper body or compression type lugs
- Defeatable dual cover interlock
- Ground bar factory installed as standard
- Two and 3 point mounting provisions are standard
- Large wire gutters and oversized lugs allow for larger cables to minimize voltage drop on long cable runs

General Information

Catalog Number	Volts DC	Description	Shipping Weight (lbs.)	Rated Isc per NEC Article 690
Negative Ground				
HF361PV	600	3 Pole, 3 Wire, Fusible	14	19.2A
Positive Ground				
HF361PVP	600	3 Pole, 3 Wire, Fusible	14	19.2A

Accessories

Catalog Number	Description
HA161234	One Normally Open and Closed Auxiliary Switches
HA261234	Two Normally Open and Closed Auxiliary Switches
HA361234	Low Voltage Auxiliary Switch
HG261234	Isolated Equipment Ground Lug Kit
HP61	Fuse Puller (3 per kit)
HN612	Neutral Kit
HR612	600 Volt Class R Fuse Clip Kit (3 fuse clips per kit)
HLC612	Copper Lug Kit (9 lugs per kit)

Replacement Parts

Catalog Number	Description
HBB612	600 Volt Load Side Replacement Base
HH6123	Replacement Handle/Handle Guard
HL612	Replacement Lugs (3 lugs per kit)
HM6123	Replacement Mechanism

Mechanical Lug Wire Ranges (60/75°C, Cu/Al)

Description	Wire Range
Line, Load	#12-6 AWG (Al) or
Neutral	#14-6 AWG (Cu)
Ground	#14-4 AWG

Product Specification Sheet HD30.21

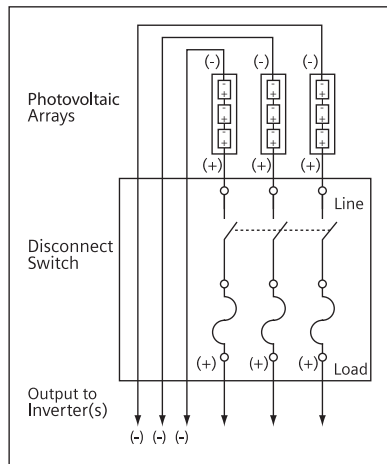
Product Specification Sheet #HD30.21 (page 2 of 2)

Compression Lugs

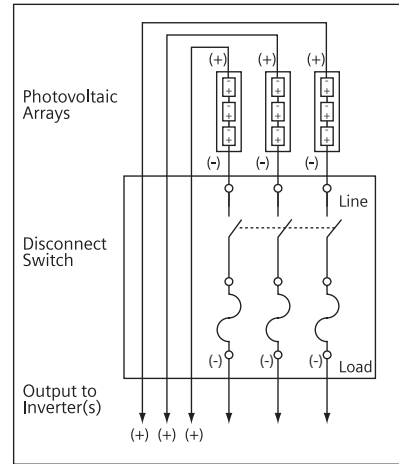
Wire Size	Burndy		Thomas-Betts		IlSCO	
	CU Only	CU/AL	CU Only	CU/AL	CU Only	CU/AL
#14-10				60096 60097		
#8	YA8C-L BOX YA8C-L1 BOX		54104 54130	60101 60102 61102	CRA-8	ACL-8 ACN-8
#6				61107		

Wiring Diagrams

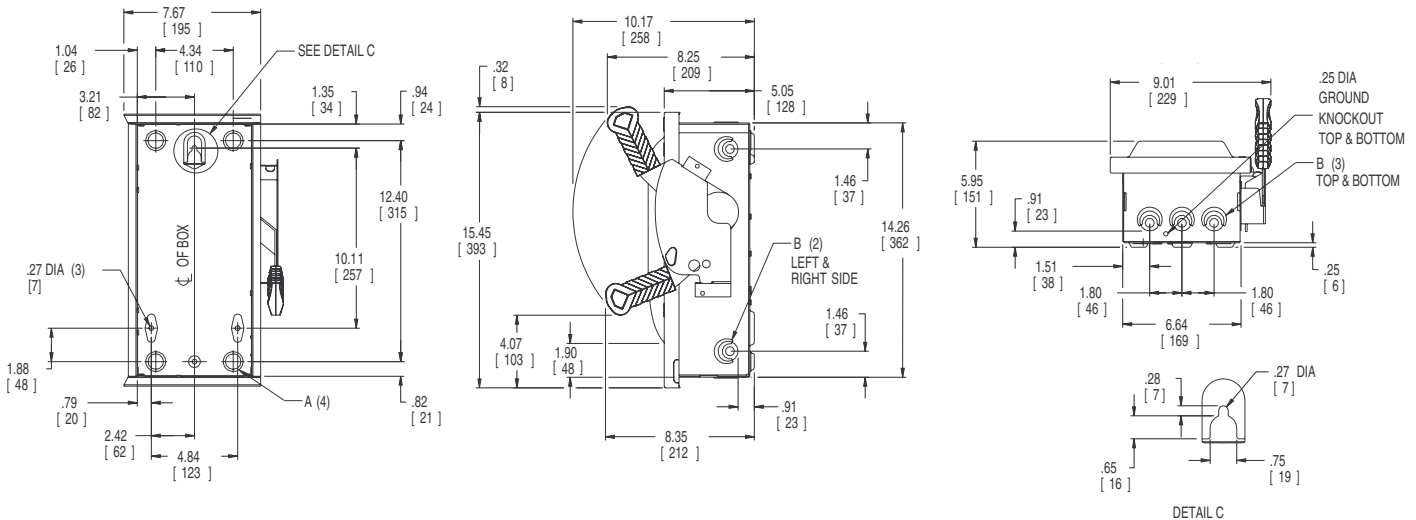
For negative ground PV systems
HF361PV



For positive ground PV systems
HF361PVPG



Dimension Drawing



Dimensions shown in inches and millimeters ().
Dimension shown accurate to ± 1/8 inch.

KNOCKOUT CODE	CONDUIT SIZE		
	A (Concentric)	.75	1.00
B (Tangential)	.50	.75	1.00

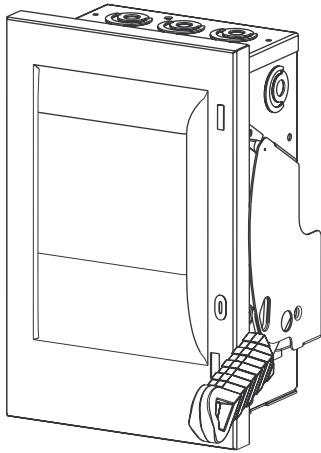
	LINE SIDE	LOAD SIDE
	WIRE BEND	WIRE BEND
240V	3.02 (77)	5.36 (136)
600V	3.02 (77)	2.61 (66)

Enclosure: Cold Rolled Steel
.054 Thick (17 Gauge)
Finish: ANSI Grey #61 Paint

Siemens Industry, Inc.
Building Technologies Division
5400 Triangle Parkway
Norcross, GA 30092
1-800-241-4453

Subject to change without prior notice.
All rights reserved.
Printed in USA
©2011 Siemens Industry, Inc.

Siemens is a registered trademark of Siemens AG.
Product names mentioned may be trademarks or
registered trademarks of their respective companies.



600V DC Solar Photovoltaic Switches Type VBII, 30 Amp, Type 1 (Indoor)

Standards and Ratings

- UL Listed and specifically designed and tested for use with three separate 600V DC circuits
- Specific catalog numbers are available for use with negative and for positive ground system
- Switches comply with UL98 requirements and are UL listed in file number E335018 as UL1741 Photovoltaic Disconnect switches
- Door labeling as required by Article 690 of the NEC supplied as standard
- Rated 10,000 AIC when protected by Class K, J or R fuses rated at 600V DC
- UL approved for field installation of optional copper body and crimp type terminals

Features

- Innovative magnetic arc suppression incorporated into the line base
- Quick-make and break switching action
- Double break visible blade design
- Highly visible ON/OFF indication
- Rugged installer friendly enclosure design
- Front removable line and load lugs which can easily be converted to copper body or compression type lugs
- Defeatable dual cover interlock
- Ground bar factory installed as standard
- Two and 3 point mounting provisions are standard
- Large wire gutters and oversized lugs allow for larger cables to minimize voltage drop on long cable runs

General Information

Catalog Number	Volts DC	Description	Shipping Weight (lbs.)	Rated Isc per NEC Article 690
Negative Ground				
HNF361PV	600	3 Pole, 3 Wire, Non-Fusible	12	24.0A
Positive Ground				
HNF361PVP	600	3 Pole, 3 Wire, Non-Fusible	14	24.0A

Accessories

Catalog Number	Description
HA161234	One Normally Open and Closed Auxiliary Switches
HA261234	Two Normally Open and Closed Auxiliary Switches
HA361234	Low Voltage Auxiliary Switch
HG261234	Isolated Equipment Ground Lug Kit
HN612	Neutral Kit
HLC612	Copper Lug Kit (9 lugs per kit)

Replacement Parts

Catalog Number	Description
HH6123	Replacement Handle/Handle Guard
HL612	Replacement Lugs (3 lugs per kit)
HM6123	Replacement Mechanism

Mechanical Lug Wire Ranges (60/75°C, Cu/Al)

Description	Wire Range
Line, Load	#12-6 AWG (Al) or
Neutral	#14-6 AWG (Cu)
Ground	#14-4 AWG

Product Specification Sheet HD30.22

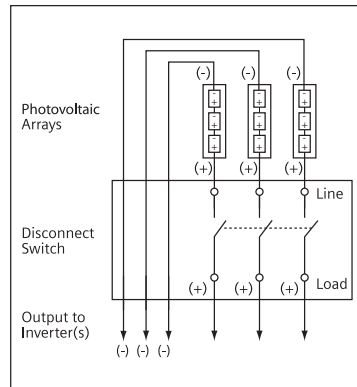
Product Specification Sheet #HD30.22 (page 2 of 2)

Compression Lugs

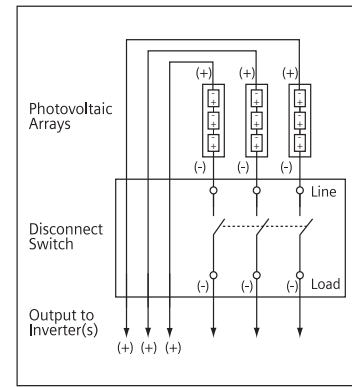
Wire Size	Burndy		Thomas-Betts		IlSCO	
	CU Only	CU/AL	CU Only	CU/AL	CU Only	CU/AL
#14-10				60096 60097		
#8	YA8C-L BOX YA8C-L1 BOX		54104 54130 61102	60101 60102	CRA-8	ACL-8 ACN-8
#6			61107			

Wiring Diagrams

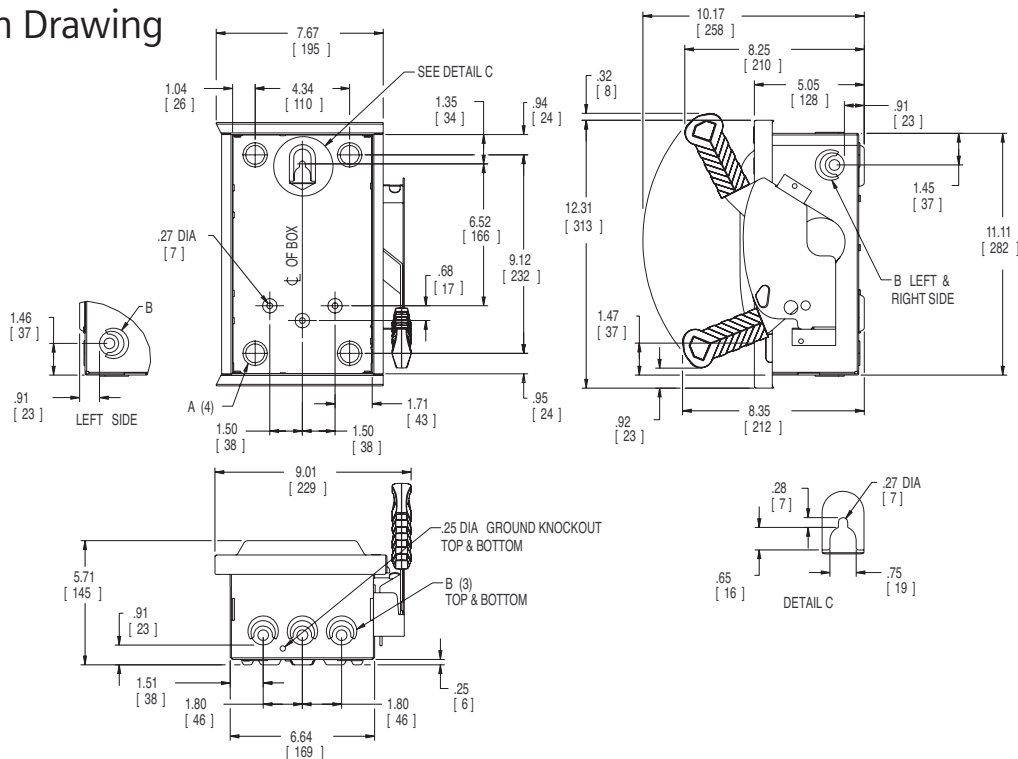
For negative ground PV systems
HNF361PV



For positive ground PV systems
HNF361PVPG



Dimension Drawing



KNOCKOUT CODE	CONDUIT SIZE	
	A (Concentric)	.75
B (Tangential)	.50	.75 1.00

	LINE SIDE WIRE BEND	LOAD SIDE WIRE BEND
	Non-Fused	3.02 (77)

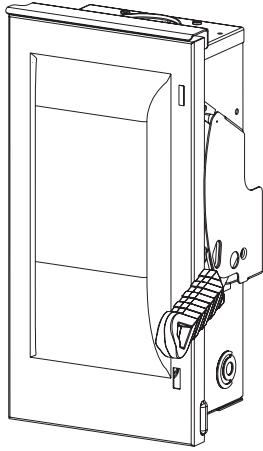
Dimensions shown in inches and millimeters ().
Dimension shown accurate to $\pm 1/8$ inch.

Enclosure: Cold Rolled Steel
.054 Thick (17 Gauge)
Finish: ANSI Grey #61 Paint

Siemens Industry, Inc.
Building Technologies Division
5400 Triangle Parkway
Norcross, GA 30092
1-800-241-4453

Subject to change without prior notice.
All rights reserved.
Printed in USA
©2011 Siemens Industry, Inc.

Siemens is a registered trademark of Siemens AG.
Product names mentioned may be trademarks or
registered trademarks of their respective companies.



600V DC Solar Photovoltaic Switches Type VBII, 30 Amp, Type 3R (Outdoor)

Standards and Ratings

- UL Listed and specifically designed and tested for use with three separate 600V DC circuits
- Specific catalog numbers are available for use with negative and for positive ground system
- Switches comply with UL98 requirements and are UL listed in file number E335018 as UL1741 Photovoltaic Disconnect switches
- Door labeling as required by Article 690 of the NEC supplied as standard
- Rated 10,000 AIC when protected by Class K, J or R fuses rated at 600V DC
- UL approved for field installation of optional copper body and crimp type terminals

Features

- Innovative magnetic arc suppression incorporated into the line base
- Quick-make and break switching action
- Double break visible blade design
- Highly visible ON/OFF indication
- Rugged installer friendly enclosure design
- Front removable line and load lugs which can easily be converted to copper body or compression type lugs
- Defeatable dual cover interlock
- Ground bar factory installed as standard
- Two and 3 point mounting provisions are standard
- Large wire gutters and oversized lugs allow for larger cables to minimize voltage drop on long cable runs

General Information

Catalog Number	Volts DC	Description	Shipping Weight (lbs.)	Rated Isc per NEC Article 690
Negative Ground				
HF361RPV	600	3 Pole, 3 Wire, Fusible	15	19.2A
Positive Ground				
HF361RPVPG	600	3 Pole, 3 Wire, Fusible	15	19.2A

Accessories

Catalog Number	Description
HA161234	One Normally Open and Closed Auxiliary Switches
HA261234	Two Normally Open and Closed Auxiliary Switches
HA361234	Low Voltage Auxiliary Switch
HG261234	Isolated Equipment Ground Lug Kit
HP61	Fuse Puller (3 per kit)
HN612	Neutral Kit
HR612	600 Volt Class R Fuse Clip Kit (3 fuse clips per kit)
HLC612	Copper Lug Kit (9 lugs per kit)
ECHS075	0.75" Type "HS" Outdoor Hub
ECHS100	1.00" Type "HS" Outdoor Hub

Replacement Parts

Catalog Number	Description
HBB612	600 Volt Load Side Replacement Base
HH6123	Replacement Handle/Handle Guard
HL612	Replacement Lugs (3 lugs per kit)
HM6123	Replacement Mechanism

Mechanical Lug Wire Ranges (60/75°C, Cu/Al)

Description	Wire Range
Line, Load	#12-6 AWG (Al) or
Neutral	#14-6 AWG (Cu)
Ground	#14-4 AWG

Product Specification Sheet HD30.23

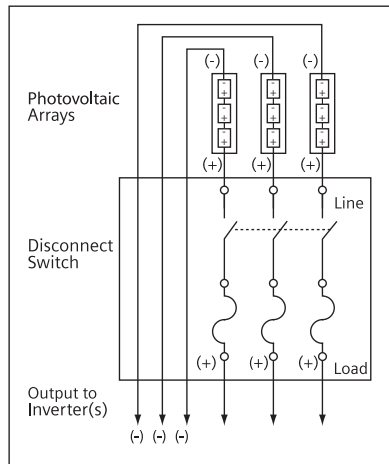
Product Specification Sheet #HD30.23 (page 2 of 2)

Compression Lugs

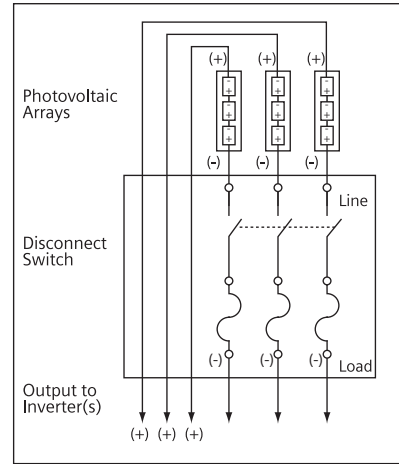
Wire Size	Burndy		Thomas-Betts		IlSCO	
	CU Only	CU/AL	CU Only	CU/AL	CU Only	CU/AL
#14-10				60096 60097		
#8	YA8C-L BOX YA8C-L1 BOX		54104 54130	60101 60102 61102	CRA-8	ACL-8 ACN-8
#6				61107		

Wiring Diagrams

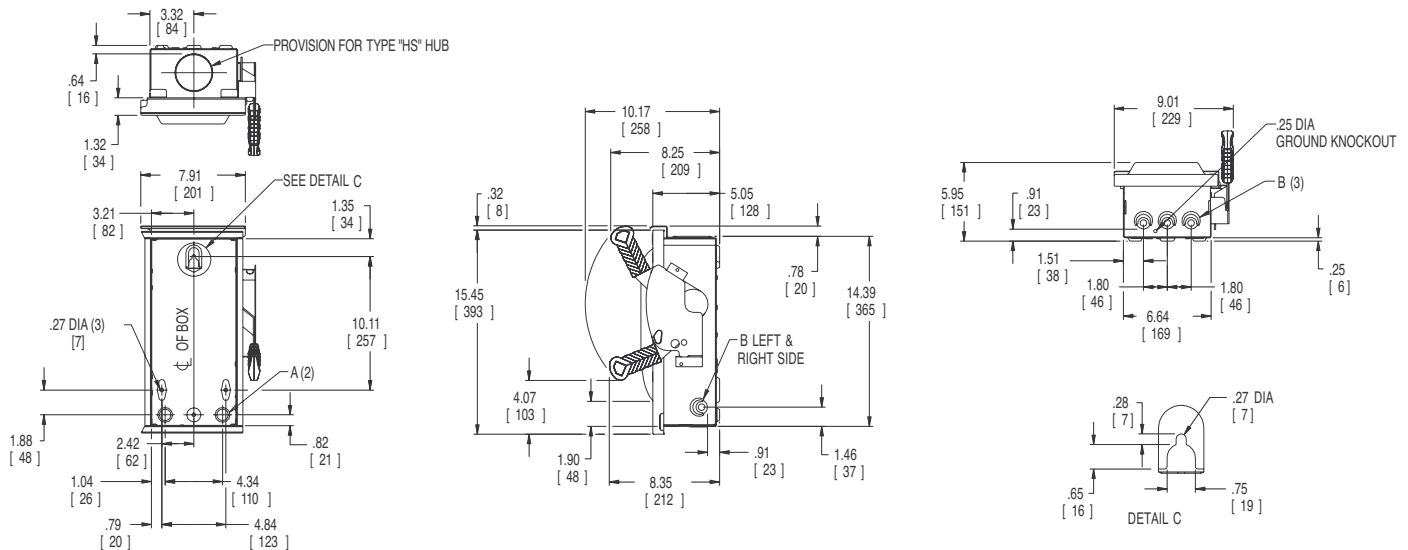
For negative ground PV systems
HF361RPV



For positive ground PV systems
HF361RPVPG



Dimension Drawing



Dimensions shown in inches and millimeters ().
Dimension shown accurate to ± 1/8 inch.

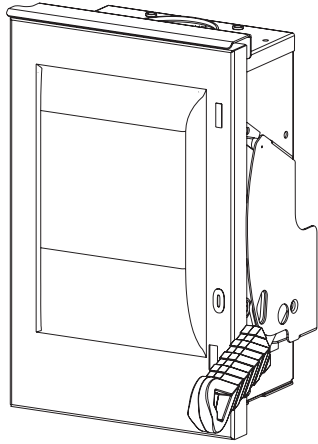
KNOCKOUT CODE	CONDUIT SIZE		LINE SIDE WIRE BEND	LOAD SIDE WIRE BEND
	.75	1.00		
A (Concentric)	.75	1.00	3.02 (77)	5.36 (136)
B (Tangential)	.50	.75 1.00	3.02 (77)	2.61 (66)

Enclosure: Galvanized Steel
.054 Thick (17 Gauge)
Finish: ANSI Grey #61 Paint

Siemens Industry, Inc.
Building Technologies Division
5400 Triangle Parkway
Norcross, GA 30092
1-800-241-4453

Subject to change without prior notice.
All rights reserved.
Printed in USA
©2011 Siemens Industry, Inc.

Siemens is a registered trademark of Siemens AG.
Product names mentioned may be trademarks or
registered trademarks of their respective companies.



600V DC Solar Photovoltaic Switches Type VBII, 30 Amp, Type 3R (Outdoor)

Standards and Ratings

- UL Listed and specifically designed and tested for use with three separate 600V DC circuits
- Specific catalog numbers are available for use with negative and for positive ground system
- Switches comply with UL98 requirements and are UL listed in file number E335018 as UL1741 Photovoltaic Disconnect switches
- Door labeling as required by Article 690 of the NEC supplied as standard
- Rated 10,000 AIC when protected by Class K, J or R fuses rated at 600V DC
- UL approved for field installation of optional copper body and crimp type terminals

Features

- Innovative magnetic arc suppression incorporated into the line base
- Quick-make and break switching action
- Double break visible blade design
- Highly visible ON/OFF indication
- Rugged installer friendly enclosure design
- Front removable line and load lugs which can easily be converted to copper body or compression type lugs
- Defeatable dual cover interlock
- Ground bar factory installed as standard
- Two and 3 point mounting provisions are standard
- Large wire gutters and oversized lugs allow for larger cables to minimize voltage drop on long cable runs

General Information

Catalog Number	Volts DC	Description	Shipping Weight (lbs.)	Rated Isc per NEC Article 690
Negative Ground				
HNF361RPV	600	3 Pole, 3 Wire, Non-Fusible	13	24.0A
Positive Ground				
HNF361RPVPG	600	3 Pole, 3 Wire, Non-Fusible	13	24.0A

Accessories

Catalog Number	Description
HA161234	One Normally Open and Closed Auxiliary Switches
HA261234	Two Normally Open and Closed Auxiliary Switches
HA361234	Low Voltage Auxiliary Switch
HG261234	Isolated Equipment Ground Lug Kit
HN612	Neutral Kit
HLC612	Copper Lug Kit (9 lugs per kit)
ECHS075	0.75" Type "HS" Outdoor Hub
ECHS100	1.00" Type "HS" Outdoor Hub

Replacement Parts

Catalog Number	Description
HH6123	Replacement Handle/Handle Guard
HL612	Replacement Lugs (3 lugs per kit)
HM6123	Replacement Mechanism

Mechanical Lug Wire Ranges (60/75°C, Cu/Al)

Description	Wire Range
Line, Load	#12-6 AWG (Al) or
Neutral	#14-6 AWG (Cu)
Ground	#14-4 AWG

Product Specification Sheet HD30.24

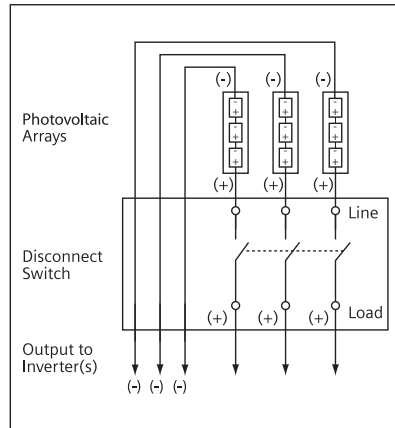
Product Specification Sheet #HD30.24 (page 2 of 2)

Compression Lugs

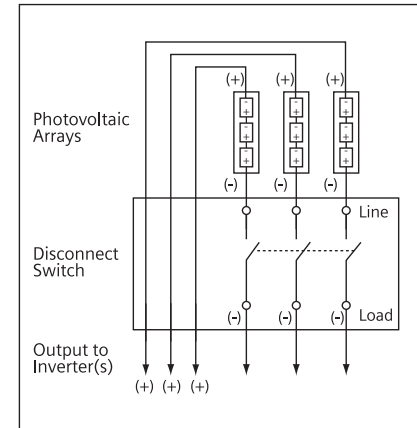
Wire Size	Burndy		Thomas-Betts		IlSCO	
	CU Only	CU/AL	CU Only	CU/AL	CU Only	CU/AL
#14-10				60096 60097		
#8	YA8C-L BOX YA8C-L1 BOX		54104 54130	60101 60102 61102	CRA-8	ACL-8 ACN-8
#6				61107		

Wiring Diagrams

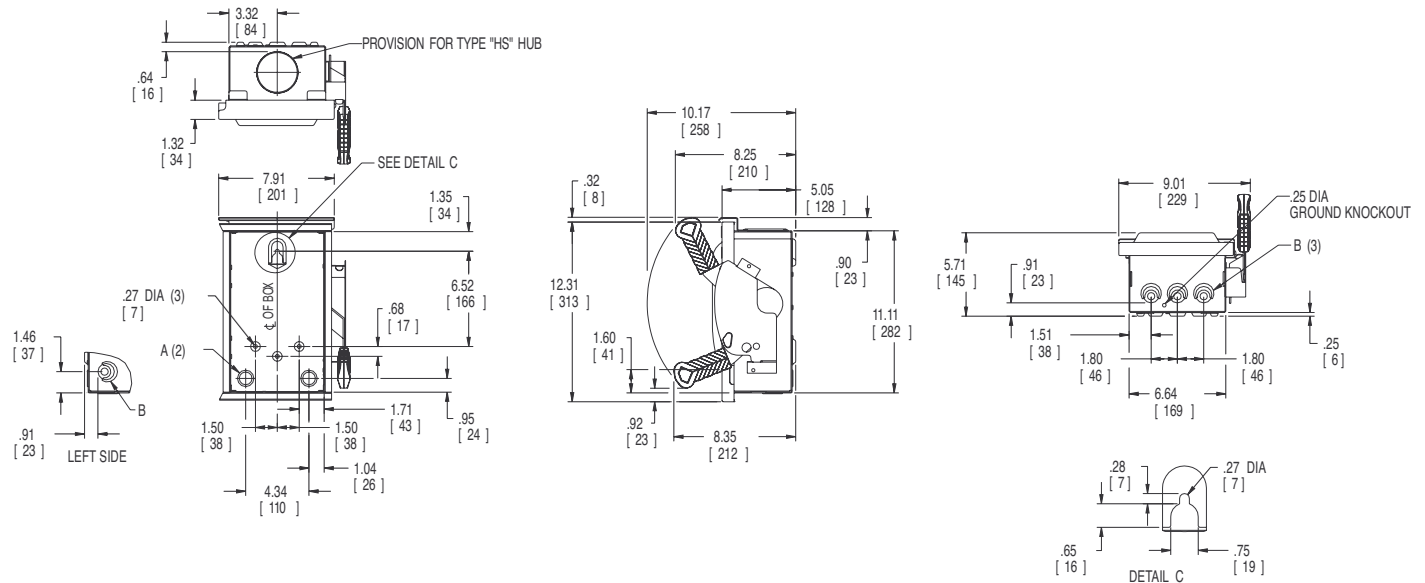
For negative ground PV systems
HNF361RPV



For positive ground PV systems
HF361RPVPG



Dimension Drawing



KNOCKOUT CODE	CONDUIT SIZE	
	.75	1.00
A (Concentric)	.75	1.00
B (Tangential)	.50	.75 1.00

	LINE SIDE WIRE BEND	LOAD SIDE WIRE BEND
	Non-Fused	3.02 (77)

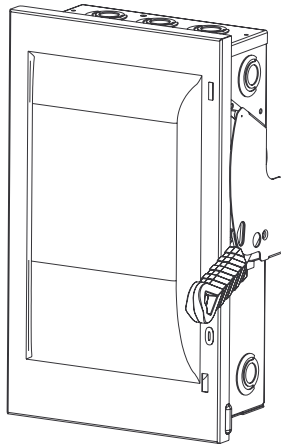
Dimensions shown in inches and millimeters ().
Dimension shown accurate to ± 1/16 inch.

Enclosure: Galvanized Steel
.054 Thick (17 Gauge)
Finish: ANSI Grey #61 Paint

Siemens Industry, Inc.
Building Technologies Division
5400 Triangle Parkway
Norcross, GA 30092
1-800-241-4453

Subject to change without prior notice.
All rights reserved.
Printed in USA
©2011 Siemens Industry, Inc.

Siemens is a registered trademark of Siemens AG.
Product names mentioned may be trademarks or
registered trademarks of their respective companies.



600V DC Solar Photovoltaic Switches Type VBII, 60 Amp, Type 1 (Indoor)

Standards and Ratings

- UL Listed and specifically designed and tested for use with three separate 600V DC circuits
- Specific catalog numbers are available for use with negative and for positive ground system
- Switches comply with UL98 requirements and are UL listed in file number E335018 as UL1741 Photovoltaic Disconnect switches
- Door labeling as required by Article 690 of the NEC supplied as standard
- Rated 10,000 AIC when protected by Class K, J or R fuses rated at 600V DC
- UL approved for field installation of optional copper body and crimp type terminals

Features

- Innovative magnetic arc suppression incorporated into the line base
- Quick-make and break switching action
- Double break visible blade design
- Highly visible ON/OFF indication
- Rugged installer friendly enclosure design
- Front removable line and load lugs which can easily be converted to copper body or compression type lugs
- Defeatable dual cover interlock
- Ground bar factory installed as standard
- Two and 3 point mounting provisions are standard
- Large wire gutters and oversized lugs allow for larger cables to minimize voltage drop on long cable runs

General Information

Catalog Number	Volts DC	Description	Shipping Weight (lbs.)	Rated Isc per NEC Article 690
Negative Ground				
HF362PV	600	3 Pole, 3 Wire, Fusible	20	38.4A
HNF362PV	600	3 Pole, 3 Wire, Non-Fusible	19	48.0A
Positive Ground				
HF362PVPG	600	3 Pole, 3 Wire, Fusible	20	38.4A
HNF362PVPG	600	3 Pole, 3 Wire, Non-Fusible	19	48.0A

Accessories

Catalog Number	Description
HA161234	One Normally Open and Closed Auxiliary Switches
HA261234	Two Normally Open and Closed Auxiliary Switches
HA361234	Low Voltage Auxiliary Switch
HG261234	Isolated Equipment Ground Lug Kit
HP62	Fuse Puller (3 per kit)
HN623	Neutral Kit
HR62	600 Volt Class R Fuse Clip Kit (3 fuse clips per kit)
HLC612	Copper Lug Kit (9 lugs per kit)
HCL623	Compression Lug Neutral Barrier Kit

Replacement Parts

Catalog Number	Description
HBB62	Fusible 600 Volt Load Side Replacement Base
HH6123	Replacement Handle/Handle Guard
HL612	Replacement Lugs (3 lugs per kit)
HM6123	Replacement Mechanism

Mechanical Lug Wire Ranges (60/75°C, Cu/Al)

Description	Wire Range
Line, Load	#12-2 AWG (Al) or
Neutral	#14-2 AWG (Cu)
Ground	#14-4 AWG

Product Specification Sheet HD60.17

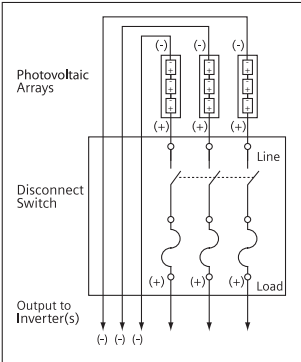
Product Specification Sheet #HD60.17 (page 2 of 2)

Compression Lugs

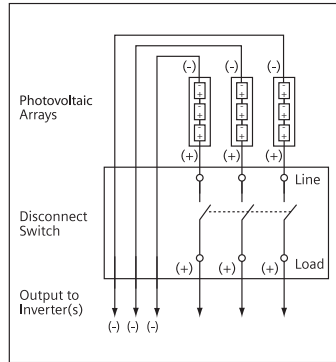
Wire Size	Burdndy		Thomas-Betts		IlSCO	
	CU Only	CU/AL	CU Only	CU/AL	CU Only	CU/AL
#14-10			256-30695-1352	60097		
#8	YA8C-L1 BOX	YA8CA3	54130	60102		ACL-8
	YA8C-TC14		54930BE	61102		
#6	YA6C-L BOX	YA6CA1	54105	60107	CRB-6	ACL-6
	YA6C		54905BE	61107	CRB-6L	
#4			54106	61112	CRB-4	

Wiring Diagrams

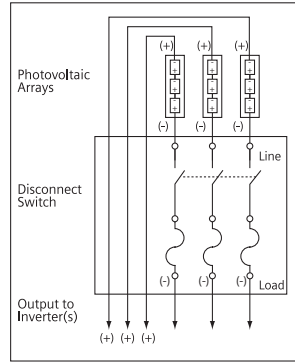
For negative ground PV systems
HF362PV



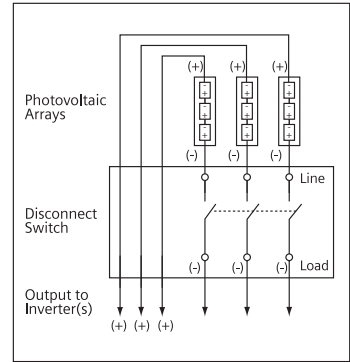
HNF362PV



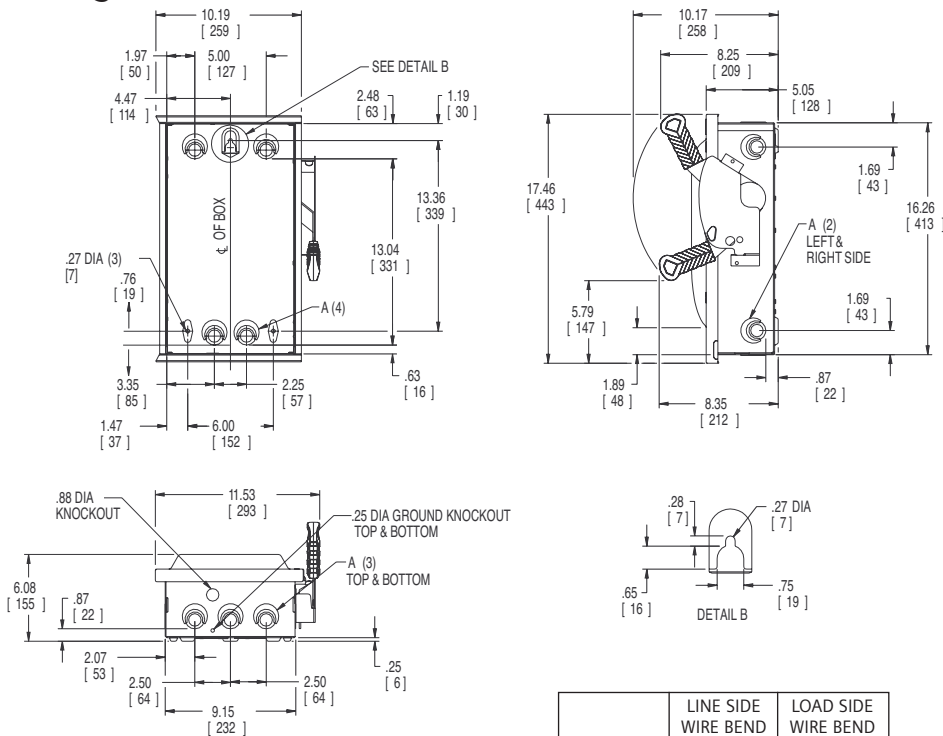
For positive ground PV systems
HF362PVPG



HNF362PVPG



Dimension Drawing



Dimensions shown in inches and millimeters ().
Dimension shown accurate to $\pm \frac{1}{16}$ inch.

KNOCKOUT CODE	CONDUIT SIZE		
	.50	.75	1.00 1.25
A (Tangential)			

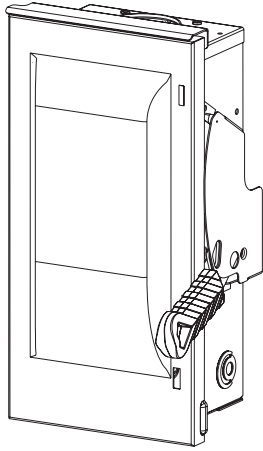
	LINE SIDE WIRE BEND	LOAD SIDE WIRE BEND
240V Fused	3.54 (90)	6.07 (154)
600V Fused	3.54 (90)	3.57 (91)
Non-Fused	3.54 (90)	8.68 (220)

Enclosure: Cold Rolled Steel
.054 Thick (17 Gauge)
Finish: ANSI Grey #61 Paint

Siemens Industry, Inc.
Building Technologies Division
5400 Triangle Parkway
Norcross, GA 30092
1-800-241-4453

Subject to change without prior notice.
All rights reserved.
Printed in USA
©2011 Siemens Industry, Inc.

Siemens is a registered trademark of Siemens AG.
Product names mentioned may be trademarks or registered trademarks of their respective companies.



600V DC Solar Photovoltaic Switches Type VBII, 60 Amp, Type 3R (Outdoor)

Standards and Ratings

- UL Listed and specifically designed and tested for use with three separate 600V DC circuits
- Specific catalog numbers are available for use with negative and for positive ground system
- Switches comply with UL98 requirements and are UL listed in file number E335018 as UL1741 Photovoltaic Disconnect switches
- Door labeling as required by Article 690 of the NEC supplied as standard
- Rated 10,000 AIC when protected by Class K, J or R fuses rated at 600V DC
- UL approved for field installation of optional copper body and crimp type terminals

Features

- Innovative magnetic arc suppression incorporated into the line base
- Quick-make and break switching action
- Double break visible blade design
- Highly visible ON/OFF indication
- Rugged installer friendly enclosure design
- Front removable line and load lugs which can easily be converted to copper body or compression type lugs
- Defeatable dual cover interlock
- Ground bar factory installed as standard
- Two and 3 point mounting provisions are standard
- Large wire gutters and oversized lugs allow for larger cables to minimize voltage drop on long cable runs

General Information

Catalog Number	Volts DC	Description	Shipping Weight (lbs.)	Rated Isc per NEC Article 690
Negative Ground				
HF362RPV	600	3 Pole, 3 Wire, Fusible	21	38.4A
HN362RPV	600	3 Pole, 3 Wire, Non-Fusible	20	48.0A
Positive Ground				
HF362RPVPG	600	3 Pole, 3 Wire, Fusible	21	38.4A
HN362RPVPG	600	3 Pole, 3 Wire, Non-Fusible	20	48.0A

Accessories

Catalog Number	Description
HA161234	One Normally Open and Closed Auxiliary Switches
HA261234	Two Normally Open and Closed Auxiliary Switches
HA361234	Low Voltage Auxiliary Switch
HG261234	Isolated Equipment Ground Lug Kit
HP62	Fuse Puller (3 per kit)
HN623	Neutral Kit
HR62	60A 600 Volt Class R Fuse Clip Kit (3 fuse clips per kit)
HLC612	Copper Lug Kit (9 lugs per kit)
HCL623	Compression Lug Neutral Barrier Kit
ECHS075	0.75" Type "HS" Outdoor Hub
ECHS100	1.00" Type "HS" Outdoor Hub
ECHS125	1.25" Type "HS" Outdoor Hub

Replacement Parts

Catalog Number	Description
HBB62	Fusible 600 Volt Load Side Replacement Base
HH6123	Replacement Handle/Handle Guard
HL612	Replacement Lugs (3 lugs per kit)
HM6123	Replacement Mechanism

Mechanical Lug Wire Ranges (75°C, Cu/Al)

Description	Wire Range
Line, Load	#12-2 AWG (Al) or
Neutral	#14-2 AWG (Cu)
Ground	#14-4 AWG

Product Specification Sheet HD60.18

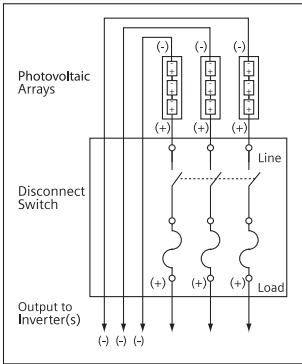
Product Specification Sheet #HD60.18 (page 2 of 2)

Compression Lugs

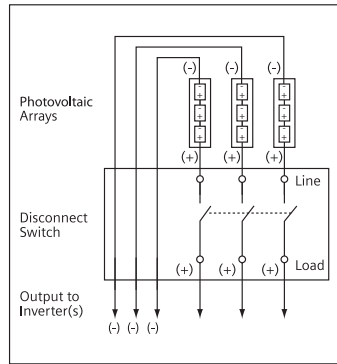
Wire Size	Burndy		Thomas-Betts		Ilsco	
	CU Only	CU/AL	CU Only	CU/AL	CU Only	CU/AL
#14-10			256-30695-1352	60097		
#8	YA8C-L1 BOX	YA8CA3	54130	60102		ACL-8
	YA8C-TC14		54930BE	61102		
#6	YA6C-L BOX	YA6CA1	54105	60107	CRB-6	ACL-6
	YA6C		54905BE	61107	CRB-6L	
#4			54106	61112	CRB-4	

Wiring Diagrams

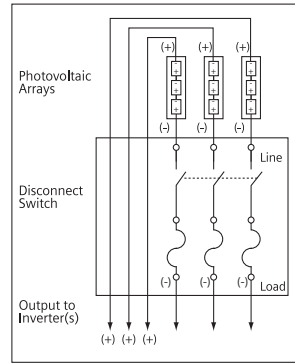
For negative ground PV systems
HF362RPV



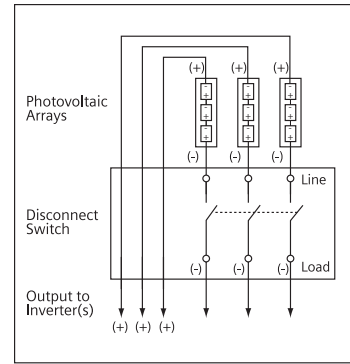
HNF362RPV



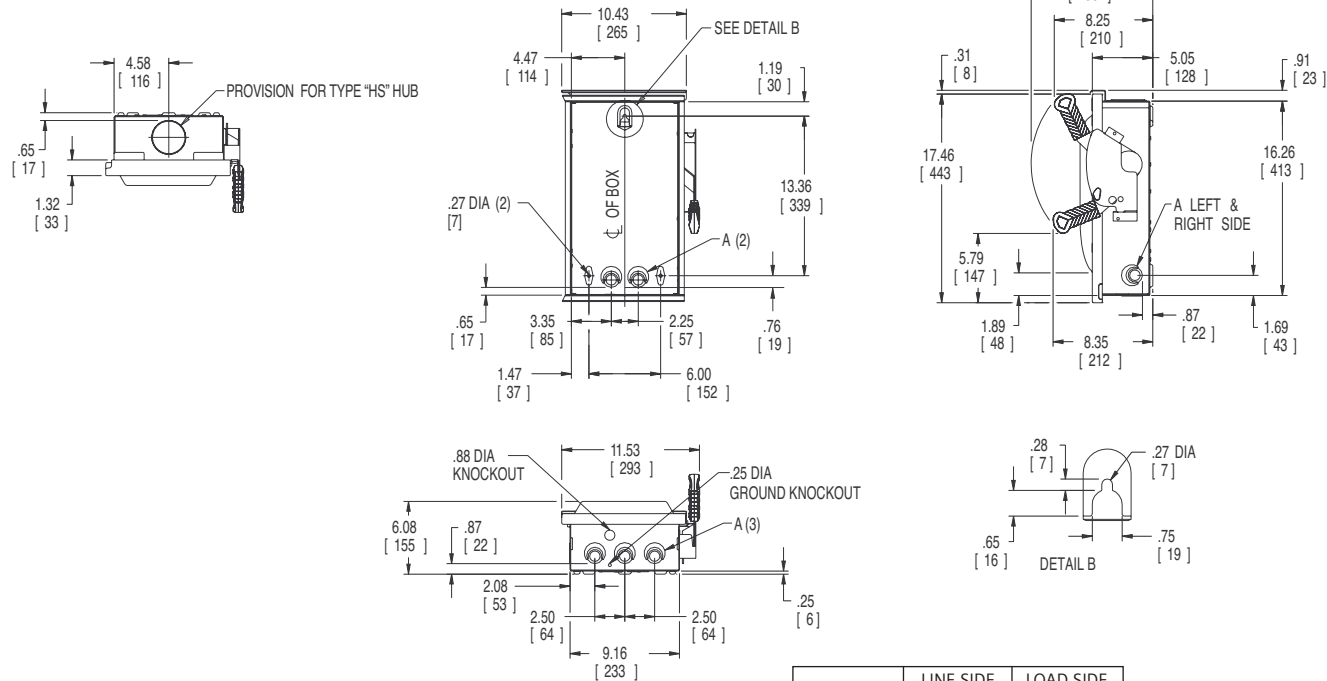
For positive ground PV systems
HF362RPVPG



HNF362RPVPG



Dimension Drawing



Dimensions shown in inches and millimeters ().
Dimension shown accurate to $\pm \frac{1}{16}$ inch.

KNOCKOUT CODE	CONDUIT SIZE			
	.50	.75	1.00	1.25
A (Tangential)				

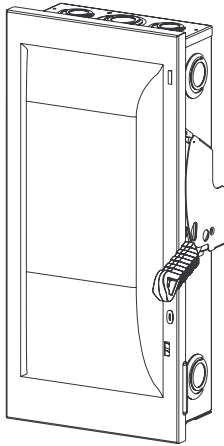
	LINE SIDE WIRE BEND	LOAD SIDE WIRE BEND
240V Fused	3.54 (90)	6.07 (154)
600V Fused	3.54 (90)	3.57 (91)
Non-Fused	3.54 (90)	8.68 (220)

Enclosure: Galvanized Steel
.054 Thick (17 Gauge)
Finish: ANSI Grey #61 Paint

Siemens Industry, Inc.
Building Technologies Division
5400 Triangle Parkway
Norcross, GA 30092
1-800-241-4453

Subject to change without prior notice.
All rights reserved.
Printed in USA
©2011 Siemens Industry, Inc.

Siemens is a registered trademark of Siemens AG.
Product names mentioned may be trademarks or registered trademarks of their respective companies.



600V DC Solar Photovoltaic Switches Type VBII, 100 Amp, Type 1 (Indoor)

Standards and Ratings

- UL Listed and specifically designed and tested for use with three separate 600V DC circuits
- Specific catalog numbers are available for use with negative and for positive ground system
- Switches comply with UL98 requirements and are UL listed in file number E335018 as UL1741 Photovoltaic Disconnect switches
- Door labeling as required by Article 690 of the NEC supplied as standard
- Rated 10,000 AIC when protected by Class K, J or R fuses rated at 600V DC
- UL approved for field installation of optional copper body and crimp type terminals

Features

- Innovative magnetic arc suppression incorporated into the line base
- Quick-make and break switching action
- Double break visible blade design
- Highly visible ON/OFF indication
- Rugged installer friendly enclosure design
- Front removable line and load lugs which can easily be converted to copper body or compression type lugs
- Defeatable dual cover interlock
- Ground bar factory installed as standard
- Two and 3 point mounting provisions are standard
- Large wire gutters and oversized lugs allow for larger cables to minimize voltage drop on long cable runs

General Information

Catalog Number	Volts DC	Description	Shipping Weight (lbs.)	Rated Isc per NEC Article 690
Negative Ground				
HF363PV	600	3 Pole, 3 Wire, Fusible	25	64.0A
HNF363PV	600	3 Pole, 3 Wire, Non-Fusible	24	80.0A
Positive Ground				
HF363PVPG	600	3 Pole, 3 Wire, Fusible	25	64.0A
HNF363PVPG	600	3 Pole, 3 Wire, Non-Fusible	24	80.0A

Accessories

Catalog Number	Description
HA161234	One Normally Open and Closed Auxiliary Switches
HA261234	Two Normally Open and Closed Auxiliary Switches
HA361234	Low Voltage Auxiliary Switch
HG261234	Isolated Equipment Ground Lug Kit
HP63	Fuse Puller (3 per kit)
HN623	Neutral Kit
HR63	Class R Fuse Clip Kit (3 fuse clips per kit)
HLC63	Copper Lug Kit (9 lugs per kit)
HCL623	Compression Lug Neutral Barrier Kit

Replacement Parts

Catalog Number	Description
HBB63	Fusible Load Side Replacement Base
HH6123	Replacement Handle/Handle Guard
HL63	Replacement Lugs (3 lugs per kit)
HM6123	Replacement Mechanism

Mechanical Lug Wire Ranges (75°C, Cu/Al)

Description	Wire Range
Line, Load	#12-1/0 (Al) AWG or
Neutral	#14-1/0 (Cu) AWG
Ground	#14-4 AWG

Product Specification Sheet HD100.12

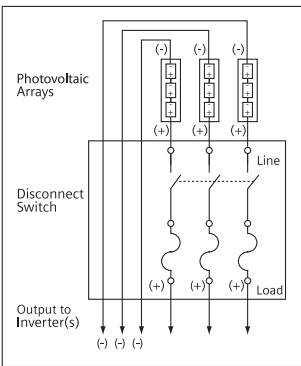
Product Specification Sheet #HD100.12 (page 2 of 2)

Compression Lugs

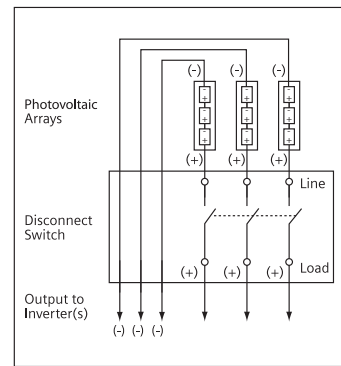
Wire Size	Burndy		Thomas-Betts		Ilsco	
	CU Only	CU/AL	CU Only	CU/AL	CU Only	CU/AL
#6	YA6C-L BOX YA6C	YA6CA1	54105 54905BE	61107 60107	CRB-6 CRB-6L	ACL-6
#4	YA4C-L BOX YA4C	YA4CA1	54106 54906BE	61112 60112	CRB-4 CRB-4L	ACL-4
#2	YA2C-L2 BOX YA2C	YA2CA5	54107	61116	CRB-2 CRB-2L	ACL-2
#1	YA1C-L2 YA1C		54108 54947BE	61122	CRB-1-14 CRA-1L	
1/0				61130		

Wiring Diagrams

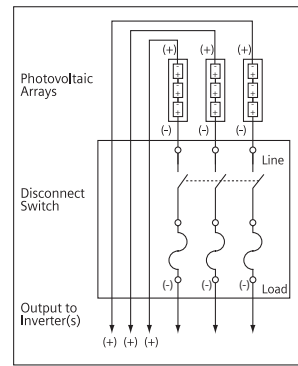
For negative ground PV systems
HF363PV



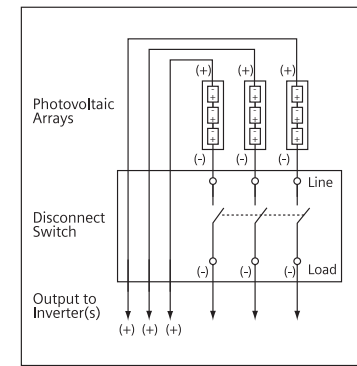
HNF363PV



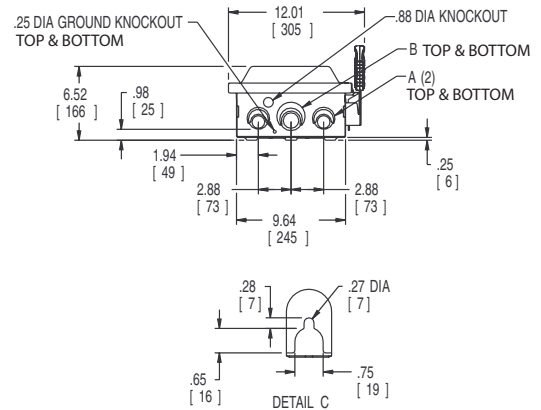
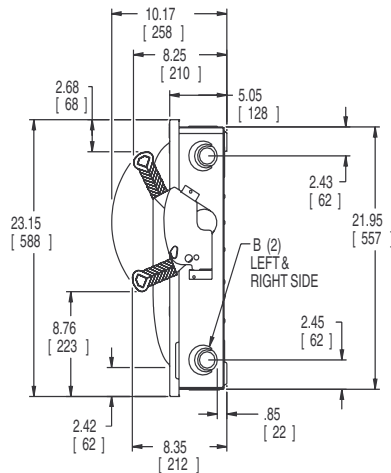
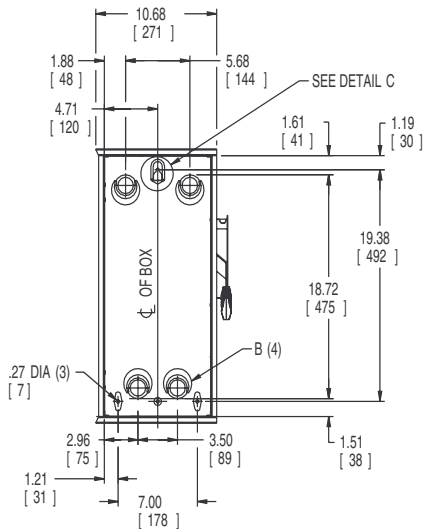
For positive ground PV systems
HF363PVPG



HNF363PVPG



Dimension Drawing



KNOCKOUT CODE	CONDUIT SIZE			
	.75	1.00	1.25	1.50
A (Tangential)	.75	1.00	1.25	1.50
B (Tangential)	1.00	1.25	1.50	2.00

	LINE SIDE WIRE BEND	LOAD SIDE WIRE BEND
240V Fused	6.07 (154)	8.10 (205)
600V Fused	6.07 (154)	6.10 (155)
Non-Fused	6.07 (154)	11.46 (291)

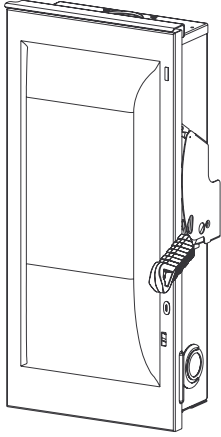
Dimensions shown in inches and millimeters ().
Dimension shown accurate to $\pm \frac{1}{8}$ inch.

Enclosure: Cold Rolled Steel
.054 Thick (17 Gauge)
Finish: ANSI Grey #61 Paint

Siemens Industry, Inc.
Building Technologies Division
5400 Triangle Parkway
Norcross, GA 30092
1-800-241-4453

Subject to change without prior notice.
All rights reserved.
Printed in USA
©2011 Siemens Industry, Inc.

Siemens is a registered trademark of Siemens AG.
Product names mentioned may be trademarks or registered trademarks of their respective companies.



600V DC Solar Photovoltaic Switches Type VBII, 100 Amp, Type 3R (Outdoor)

Standards and Ratings

- UL Listed and specifically designed and tested for use with three separate 600V DC circuits
- Specific catalog numbers are available for use with negative and for positive ground system
- Switches comply with UL98 requirements and are UL listed in file number E335018 as UL1741 Photovoltaic Disconnect switches
- Door labeling as required by Article 690 of the NEC supplied as standard
- Rated 10,000 AIC when protected by Class K, J or R fuses rated at 600V DC
- UL approved for field installation of optional copper body and crimp type terminals

Features

- Innovative magnetic arc suppression incorporated into the line base
- Quick-make and break switching action
- Double break visible blade design
- Highly visible ON/OFF indication
- Rugged installer friendly enclosure design
- Front removable line and load lugs which can easily be converted to copper body or compression type lugs
- Defeatable dual cover interlock
- Ground bar factory installed as standard
- Two and 3 point mounting provisions are standard
- Large wire gutters and oversized lugs allow for larger cables to minimize voltage drop on long cable runs

General Information

Catalog Number	Volts DC	Description	Shipping Weight (lbs.)	Rated Isc per NEC Article 690
Negative Ground				
HF363RPV	600	3 Pole, 3 Wire, Fusible	26	64.0A
HNF363RPV	600	3 Pole, 3 Wire, Non-Fusible	25	80.0A
Positive Ground				
HF363RPVPG	600	3 Pole, 3 Wire, Fusible	26	64.0A
HNF363RPVPG	600	3 Pole, 3 Wire, Non-Fusible	25	80.0A

Accessories

Catalog Number	Description
HA161234	One Normally Open and Closed Auxiliary Switches
HA261234	Two Normally Open and Closed Auxiliary Switches
HA361234	Low Voltage Auxiliary Switch
HG261234	Isolated Equipment Ground Lug Kit
HP63	100A Fuse Puller (3 per kit)
HN623	Neutral Kit
HR63	100A Class R Fuse Clip Kit (3 fuse clips per kit)
HLC63	Copper Lug Kit (9 lugs per kit)
HCL623	Compression Lug Neutral Barrier Kit
ECHS125	1.25" Type "HS" Outdoor Hub
ECHS150	1.50" Type "HS" Outdoor Hub
ECHS200	2.00" Type "HS" Outdoor Hub

Replacement Parts

Catalog Number	Description
HH6123	Replacement Handle/Handle Guard
HL63	Replacement Lugs; (3 lugs per kit)
HM6123	Replacement Mechanism

Mechanical Lug Wire Ranges (75°C, Cu/Al)

Description	Wire Range
Line, Load	#12-1/0 (Al) AWG or
Neutral	#14-1/0 (Cu) AWG
Ground	#14-4 AWG

Product Specification Sheet HD100.13

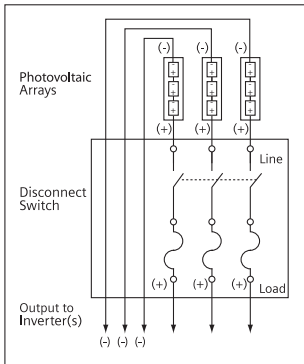
Product Specification Sheet #HD100.13 (page 2 of 2)

Compression Lugs

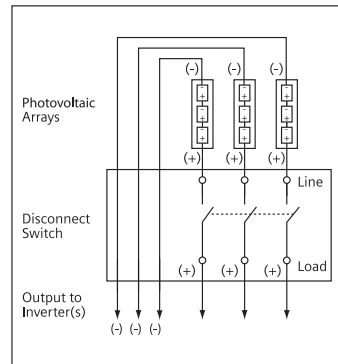
Wire Size	Burndy		Thomas-Betts		IlSCO	
	CU Only	CU/AL	CU Only	CU/AL	CU Only	CU/AL
#6	YA6C-L BOX	YA6CA1	54105	61107	CRB-6	ACL-6
	YA6C		54905BE	60107	CRB-6L	
#4	YA4C-L BOX	YA4CA1	54106	61112	CRB-4	ACL-4
	YA4C		54906BE	60112	CRB-4L	
#2	YA2C-L2 BOX	YA2CA5	54107	61116	CRB-2	ACL-2
	YA2C				CRB-2L	
#1	YA1C-L2		54108	61122	CRB-1-14	
	YA1C		54947BE		CRA-1L	
1/0				61130		

Wiring Diagrams

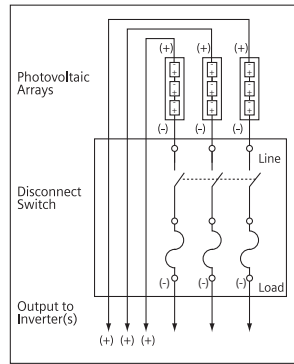
For negative ground PV systems
HF363RPV



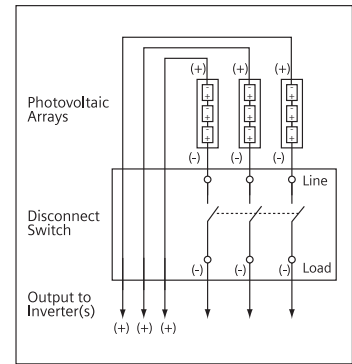
HNF363RPV



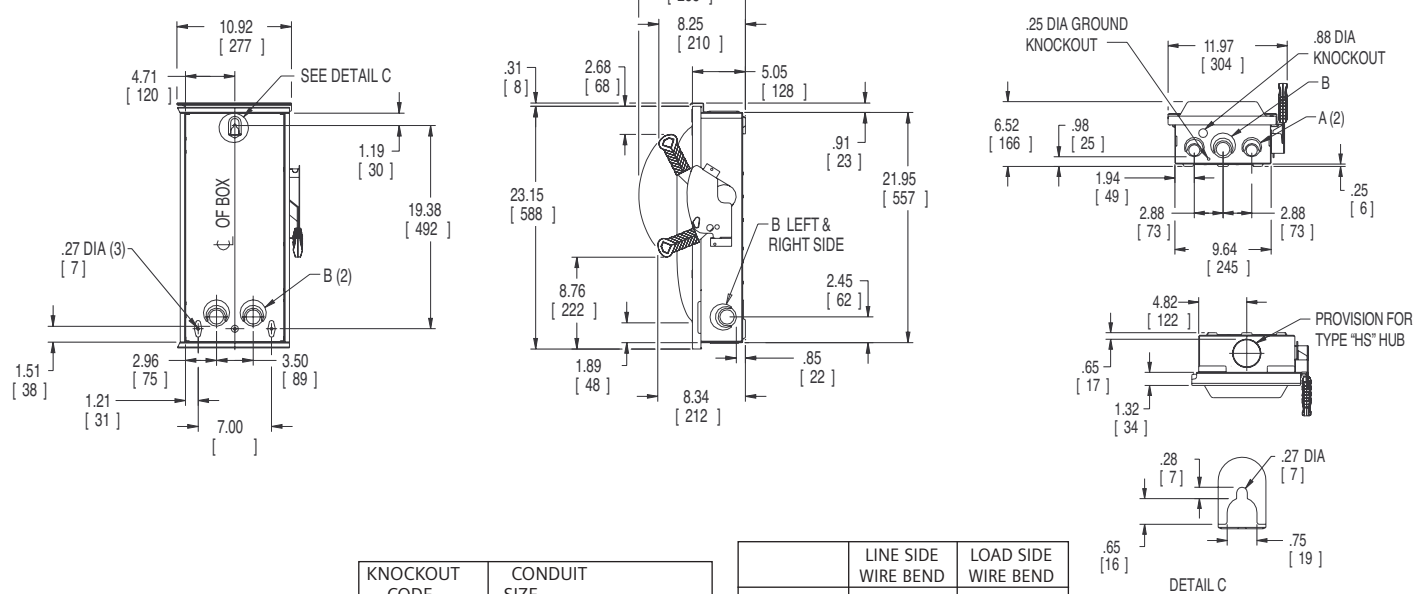
For positive ground PV systems
HF363RPVPG



HNF363RPVPG



Dimension Drawing



KNOCKOUT CODE	CONDUIT SIZE			
A (Tangential)	.75	1.00	1.25	1.50
B (Tangential)	1.00	1.25	1.50	2.00

	LINE SIDE WIRE BEND	LOAD SIDE WIRE BEND
240V Fused	6.07 (154)	8.10 (205)
600V Fused	6.07 (154)	6.10 (155)
Non-Fused	6.07 (154)	11.46 (291)

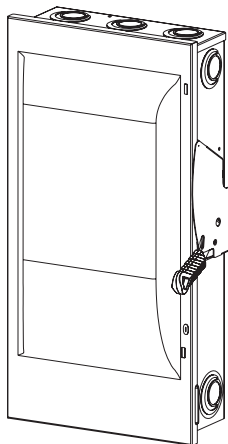
Dimensions shown in inches and millimeters ().
Dimension shown accurate to $\pm 1/8$ inch.

Enclosure: Galvanized Steel
.054 Thick (17 Gauge)
Finish: ANSI Grey #61 Paint

Siemens Industry, Inc.
Building Technologies Division
5400 Triangle Parkway
Norcross, GA 30092
1-800-241-4453

Subject to change without prior notice.
All rights reserved.
Printed in USA
©2011 Siemens Industry, Inc.

Siemens is a registered trademark of Siemens AG.
Product names mentioned may be trademarks or registered trademarks of their respective companies.



600V DC Solar Photovoltaic Switches Type VBII, 200 Amp, Type 1 (Indoor)

Standards and Ratings

- UL Listed and specifically designed and tested for use with three separate 600V DC circuits
- Specific catalog numbers are available for use with negative and for positive ground system
- Switches comply with UL98 requirements and are UL listed in file number E335018 as UL1741 Photovoltaic Disconnect switches
- Door labeling as required by Article 690 of the NEC supplied as standard
- Rated 10,000 AIC when protected by Class K, J or R fuses rated at 600V DC
- UL approved for field installation of optional copper body and crimp type terminals

Features

- Innovative magnetic arc suppression incorporated into the line base
- Quick-make and break switching action
- Double break visible blade design
- Highly visible ON/OFF indication
- Rugged installer friendly enclosure design
- Front removable line and load lugs which can easily be converted to copper body or compression type lugs
- Defeatable dual cover interlock
- Ground bar factory installed as standard
- Two and 3 point mounting provisions are standard
- Large wire gutters and oversized lugs allow for larger cables to minimize voltage drop on long cable runs

General Information

Catalog Number	Volts DC	Description	Shipping Weight (lbs.)	Rated Isc per NEC Article 690
Negative Ground				
HF364PV	600	3 Pole, 3 Wire, Fusible	49	128.0A
HNF364PV	600	3 Pole, 3 Wire, Non-Fusible	47	160.0A
Positive Ground				
HF364PVP	600	3 Pole, 3 Wire, Fusible	49	128.0A
HNF364PVP	600	3 Pole, 3 Wire, Non-Fusible	47	160.0A

Accessories

Catalog Number	Description
HA161234	One Normally Open and Closed Auxiliary Switches
HA261234	Two Normally Open and Closed Auxiliary Switches
HA361234	Low Voltage Auxiliary Switch
HG261234	Isolated Equipment Ground Lug Kit
HN64	Neutral Kit
HR64	Class R Fuse Clip Kit (3 fuse clips per kit)
HLC64	Copper Lug Kit (9 lugs per kit)

Replacement Parts

Catalog Number	Description
HBB64	Fusible Load Side Replacement Base
HH64	Replacement Handle/Handle Guard
HL64	Replacement Lugs (3 lugs per kit)
HM64	Replacement Mechanism

Mechanical Lug Wire Ranges (75°C, Cu/Al)

Description	Wire Range
Line, Load, Neutral	#6 AWG - 300 Kcmil
Ground Lug Kit	#14-4 AWG

Product Specification Sheet HD200.10

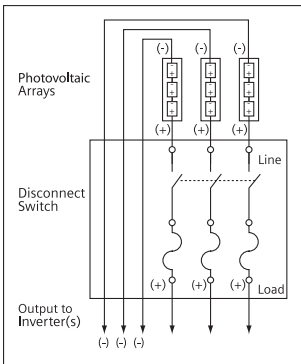
Product Specification Sheet #HD200.10 (page 2 of 2)

Compression Lugs

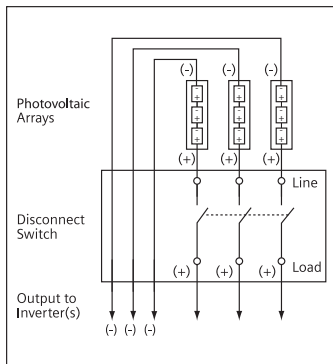
Wire Size	Burndy		Thomas-Betts		Ilsco	
	CU ONLY	CU/AL	CU ONLY	CU/AL	CU ONLY	CU/AL
#2	YA2C-L Box YA2C	YA2CA1	54142-TB	60117	CRB-2 CRB-2L	IACL-2 ACN-2
#1	YA1C-L Box YA1C	YA1CA1	54147 54947BE	60123	CRA-1-38 CRA-1L	ACN-1
1/0	YA25-L Box YA25	YA25A1	54153-TB 54949BE	60129 61130	CRA-0 CRA-1/0L	IACL-1/0 ACN-1/0
2/0	YA26-L3 YA26	YA26A6	54158 256-30695-1229 54910BE	60135 61136	CRA-2/0 CRA-2/0L	ACL-2/0 IACL-2/0
3/0	YA27-L3 YA27	YA27A1	54163-TB	60141 61142	CRC-3/0 CRB-3/0L	IACL-3/0 ACL-3/0
4/0	YA28-L3 YA28-TC38	YA28A1	54168 256-30695-1253	61148 60147	CRC-4/0 CRB-4/0L	IACL-4/0 ACL-4/0
250 Kcmil	YA29-L7		54173 54913BE	61156	CRA-250 CRA-250L	IACL-250
300 Kcmil				61162		

Wiring Diagrams

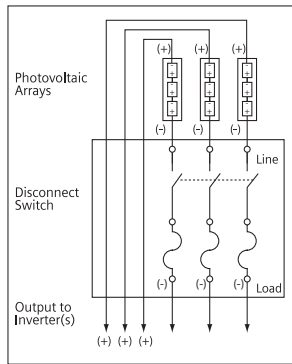
For negative ground PV systems
HF364PV



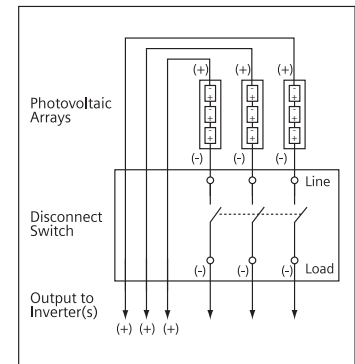
HNF364PV



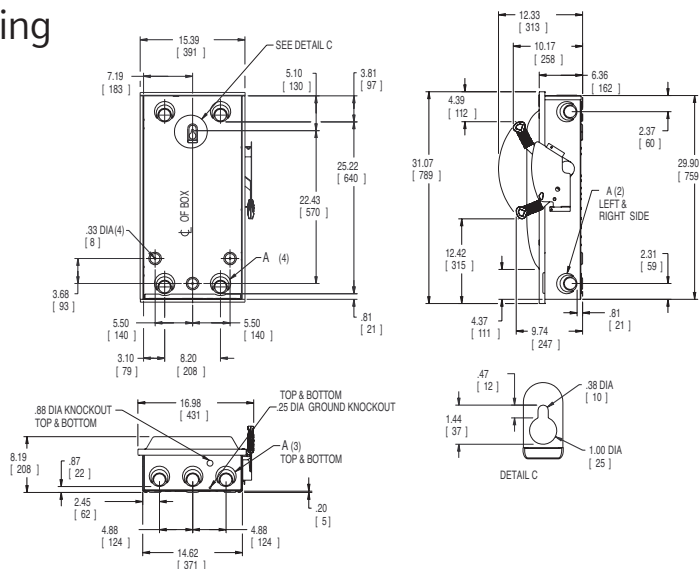
For positive ground PV systems
HF364PVPG



HNF364PVPG



Dimension Drawing



Enclosure: Cold Rolled Steel
.054 Thick (17 Gauge)
Finish: ANSI Grey #61 Paint

Dimensions shown in inches and millimeters ().
Dimension shown accurate to $\pm 1/16$ inch.

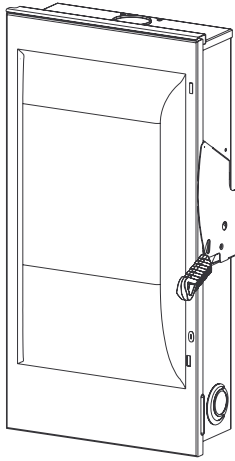
KNOCKOUT CODE	CONDUIT SIZE			
	1.25	1.50	2.00	2.50
A (Tangential)				

	LINE SIDE WIRE BEND	LOAD SIDE WIRE BEND
240V Fused	7.87 (200)	10.34 (263)
600V Fused	7.87 (200)	7.84 (199)
Non-Fused	7.87 (200)	15.84 (402)

Siemens Industry, Inc.
Building Technologies Division
5400 Triangle Parkway
Norcross, GA 30092
1-800-241-4453

Subject to change without prior notice.
All rights reserved.
Printed in USA
©2011 Siemens Industry, Inc.

Siemens is a registered trademark of Siemens AG.
Product names mentioned may be trademarks or registered trademarks of their respective companies.



600V DC Solar Photovoltaic Switches Type VBII, 200 Amp, Type 3R (Outdoor)

Standards and Ratings

- UL Listed and specifically designed and tested for use with three separate 600V DC circuits
- Specific catalog numbers are available for use with negative and for positive ground system
- Switches comply with UL98 requirements and are UL listed in file number E335018 as UL1741 Photovoltaic Disconnect switches
- Door labeling as required by Article 690 of the NEC supplied as standard
- Rated 10,000 AIC when protected by Class K, J or R fuses rated at 600V DC
- UL approved for field installation of optional copper body and crimp type terminals

Features

- Innovative magnetic arc suppression incorporated into the line base
- Quick-make and break switching action
- Double break visible blade design
- Highly visible ON/OFF indication
- Rugged installer friendly enclosure design
- Front removable line and load lugs which can easily be converted to copper body or compression type lugs
- Defeatable dual cover interlock
- Ground bar factory installed as standard
- Two and 3 point mounting provisions are standard
- Large wire gutters and oversized lugs allow for larger cables to minimize voltage drop on long cable runs

General Information

Catalog Number	Volts DC	Description	Shipping Weight (lbs.)	Rated Isc per NEC Article 690
Negative Ground				
HF364RPV	600	3 Pole, 3 Wire, Fusible	50	128.0A
HN364RPV	600	3 Pole, 3 Wire, Non-Fusible	48	160.0A
Positive Ground				
HF364RPVPG	600	3 Pole, 3 Wire, Fusible	50	128.0A
HN364RPVPG	600	3 Pole, 3 Wire, Non-Fusible	48	160.0A

Accessories

Catalog Number	Description
HA161234	One Normally Open and Closed Auxiliary Switches
HA261234	Two Normally Open and Closed Auxiliary Switches
HA361234	Low Voltage Auxiliary Switch
HG261234	Isolated Equipment Ground Lug Kit
HN64	Neutral Kit
HR64	Class R Fuse Clip Kit (3 fuse clips per kit)
HLC64	Copper Lug Kit (9 lugs per kit)
ECHS200	2.00" Type "HS" Outdoor Hub
ECHS250	2.50" Type "HS" Outdoor Hub

Replacement Parts

Catalog Number	Description
HBB64	Fusible Load Side Replacement Base
HH64	Replacement Handle/Handle Guard
HL64	Replacement Lugs (3 lugs per kit)
HM64	Replacement Mechanism

Mechanical Lug Wire Ranges (75°C, Cu/Al)

Description	Wire Range
Line, Load, Neutral	#6 AWG - 300 Kcmil
Ground Lug Kit	#14-4 AWG

Product Specification Sheet HD200.11

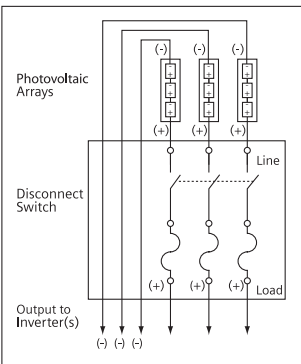
Product Specification Sheet #HD200.11 (page 2 of 2)

Compression Lugs

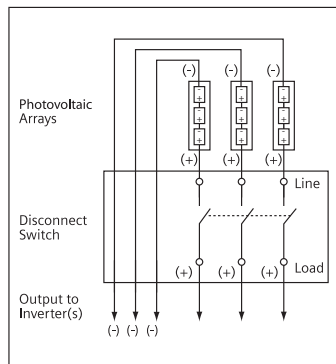
Wire Size	Burndy		Thomas-Betts		IlSCO	
	CU ONLY	CU/AL	CU ONLY	CU/AL	CU ONLY	CU/AL
#2	YA2C-L Box YA2C	YA2CA1	54142-TB	60117	CRB-2 CRB-2L	IACL-2 ACN-2
#1	YA1C-L Box YA1C	YA1CA1	54147 54947BE	60123	CRA-1-38 CRA-1L	ACN-1
1/0	YA25-L Box YA25	YA25A1	54153-TB 54949BE	60129 61130	CRA-0 CRA-1/0L	IACL-1/0 ACN-1/0
2/0	YA26-L3 YA26	YA26A6	54158 256-30695-1229 54910BE	60135 61136	CRA-2/0 CRA-2/0L	IACL-2/0 IACL-2/0
3/0	YA27-L3 YA27	YA27A1	54163-TB	60141 61142	CRC-3/0 CRB-3/0L	IACL-3/0 ACL-3/0
4/0	YA28-L3 YA28-TC38	YA28A1	54168 256-30695-1253	61148 60147	CRC-4/0 CRB-4/0L	IACL-4/0 ACL-4/0
250 Kcmil	YA29-L7		54173 54913BE	61156	CRA-250 CRA-250L	IACL-250
300 Kcmil				61162		

Wiring Diagrams

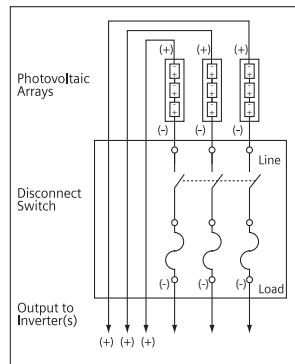
For negative ground PV systems
HF364RPV



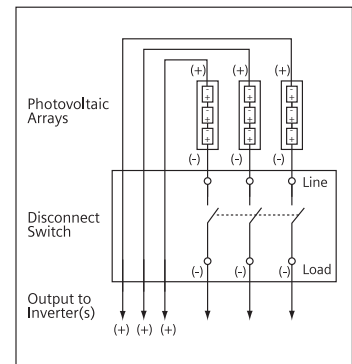
HNF364RPV



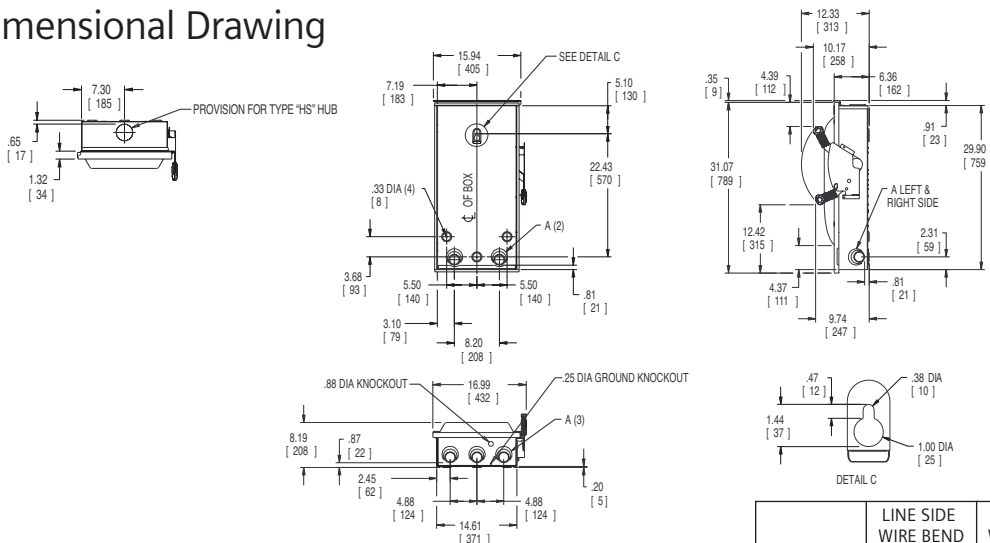
For positive ground PV systems
HF364RPVPG



HNF364RPVPG



Dimensional Drawing



KNOCKOUT CODE	CONDUIT SIZE			
	1.25	1.50	2.00	2.50
A (Tangential)				

	LINE SIDE WIRE BEND	LOAD SIDE WIRE BEND
240V Fused	7.87 (200)	10.34 (263)
600V Fused	7.87 (200)	7.84 (199)
Non-Fused	7.87 (200)	15.84 (402)

Dimensions shown in inches and millimeters ().
Dimension shown accurate to ± 1/8 inch.

Enclosure: Galvanized Steel
.054 (17 Gauge)
Finish: ANSI Grey #61 Paint

Siemens Industry, Inc.
Building Technologies Division
5400 Triangle Parkway
Norcross, GA 30092
1-800-241-4453

Subject to change without prior notice.
All rights reserved.
Printed in USA
©2011 Siemens Industry, Inc.

Siemens is a registered trademark of Siemens AG.
Product names mentioned may be trademarks or registered trademarks of their respective companies.