

	U.S. Cat. No.	Euro Order No.
Item:	DCXD_	3VL9200-4WS_1
	DCXF_	3VL9300-4WS_1
	DCAD _C_	3VL9200-4W __1
	DCAF _C_	3VL9300-4W __1

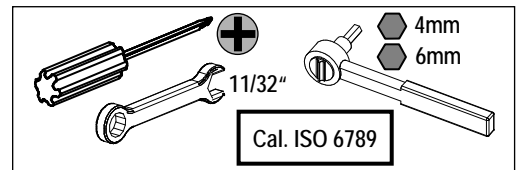
For Use With Frame DG, FG  
Para Usar Con Caja Base DG, FG

Installation Instructions / Instructivo de Instalación

	 <b>Danger</b>	 <b>Peligro</b>	 <b>Danger</b>
	<b>Hazardous Voltage.</b> <b>Will cause death or serious injury.</b> Turn off and lock out all power supplying this device before working on this device. Replace all covers before power supplying this device is turned on.	<b>Tensión peligrosa.</b> <b>Puede causar la muerte o lesiones graves.</b> Desenergice totalmente antes de instalar o darle servicio. Reemplace todas las barreras y cubiertas antes de energizar el interruptor.	<b>Tension dangereuse.</b> <b>Danger de mort ou risque de blessures graves.</b> Couper l'alimentation de l'appareil et barrer avant de travailler. Remplacez tous les couverts avant que l'alprovisionnement de pouvoir soit alimenté.

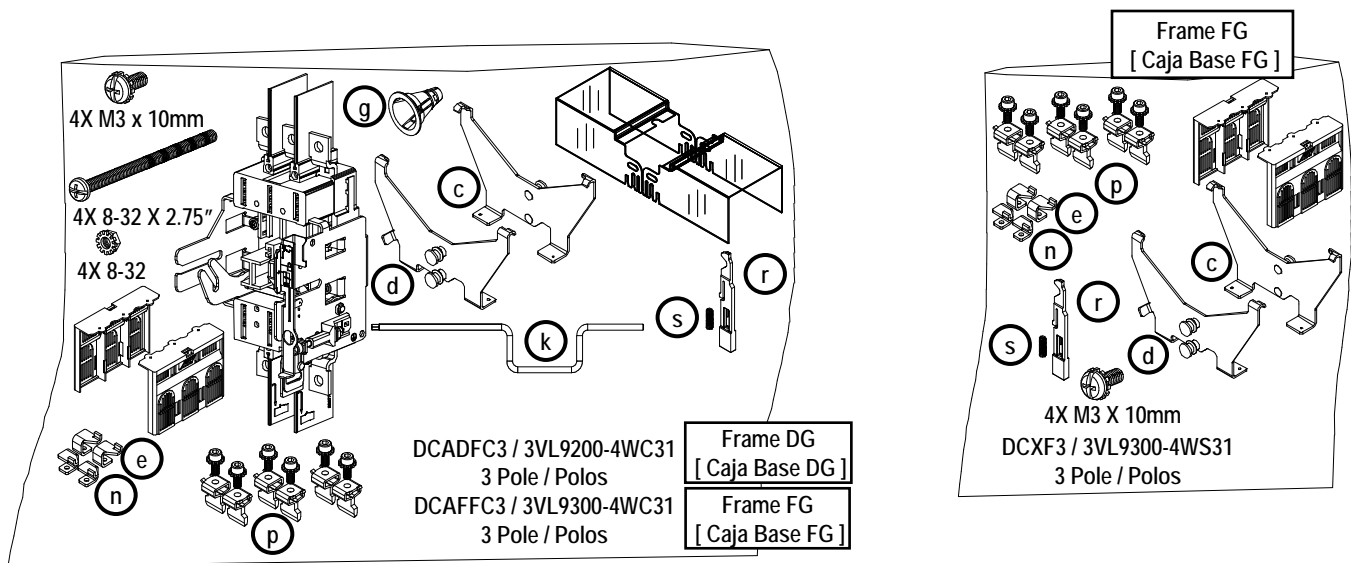
Use only with Siemens certified Components.  
Utilizar únicamente con componentes certificados de Siemens.  
A utiliser uniquement avec les composants certifiés Siemens.

**NOT suitable for use with 100% rated circuit breakers.**  
[ NO para uso con interruptores a 100% intensidad continua. ]

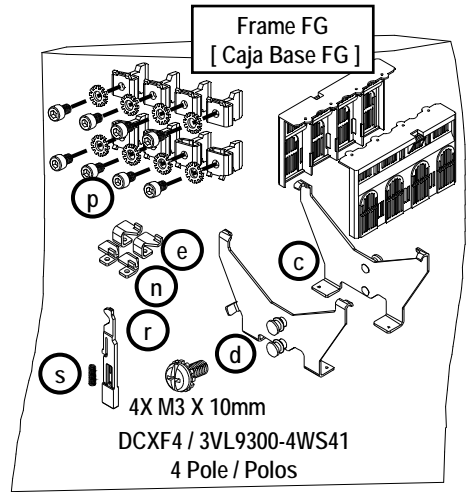
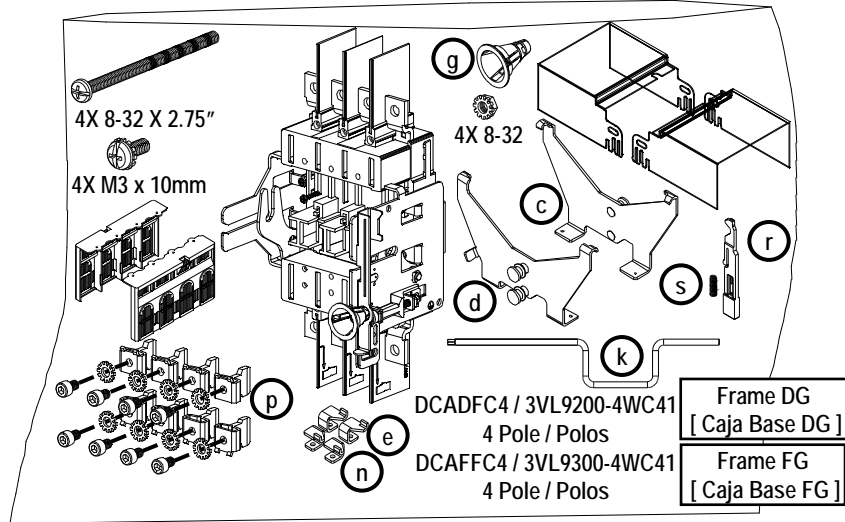
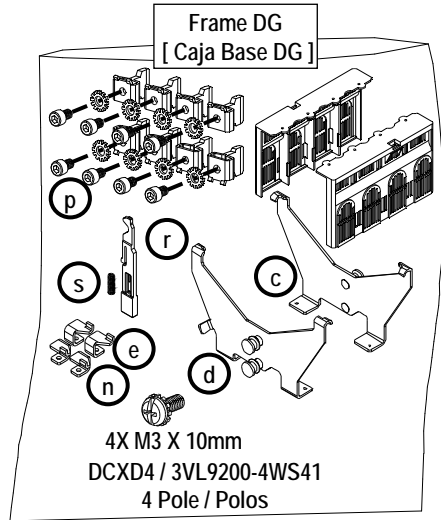
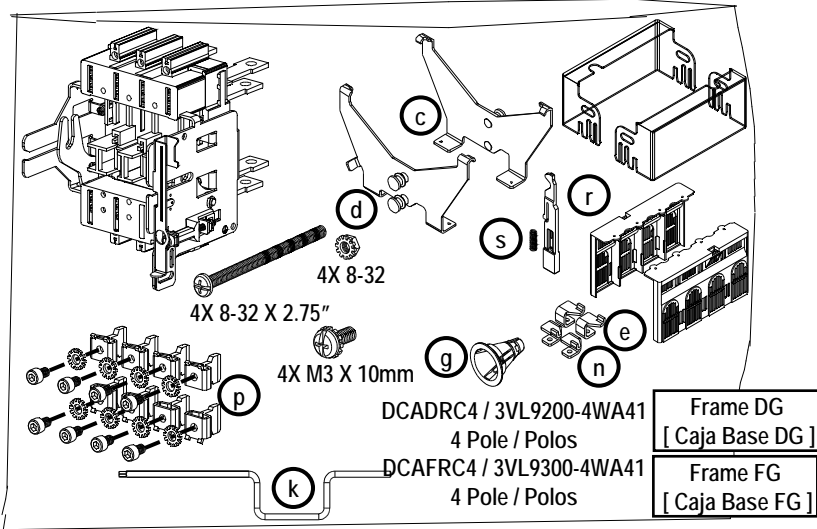
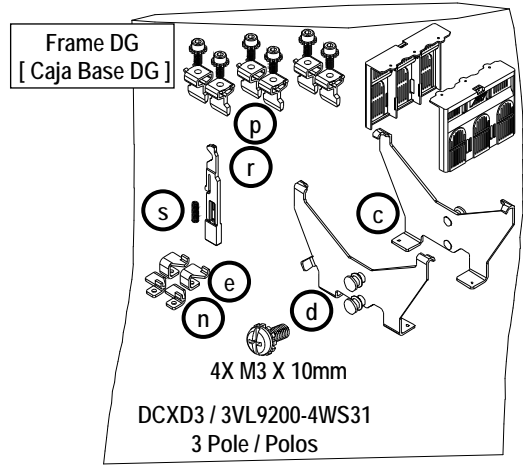
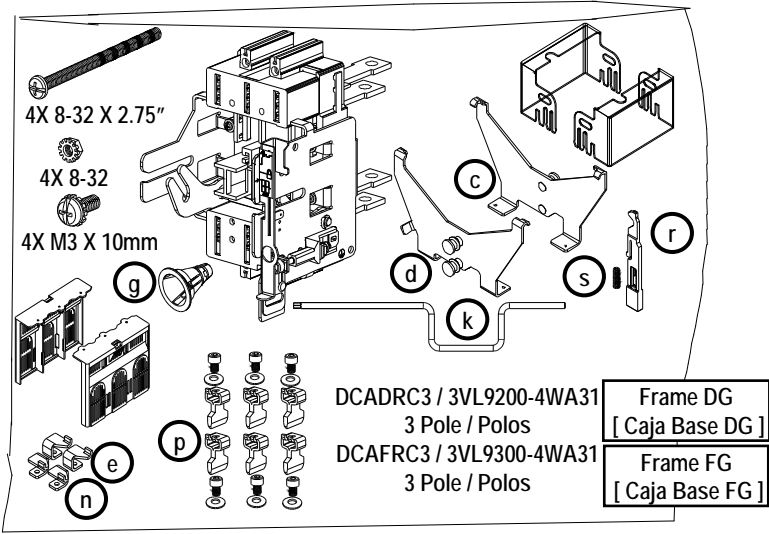


NOTE - These instructions do not purport to cover all details or variations in equipment, or to provide for every possible contingency to be met in connection with installation, operation or maintenance. Should further information be desired or should particular problems arise, which are not covered sufficiently for the purchaser's purposes, the matter should be referred to the local Siemens sales office. The contents of this instruction manual shall not become part of or modify any prior or existing agreement, commitment or relationship. The sales contract contains the entire obligation of Siemens. The warranty contained in the contract between the parties is the sole warranty of Siemens. Any statements contained herein do not create new warranties or modify the existing warranty.

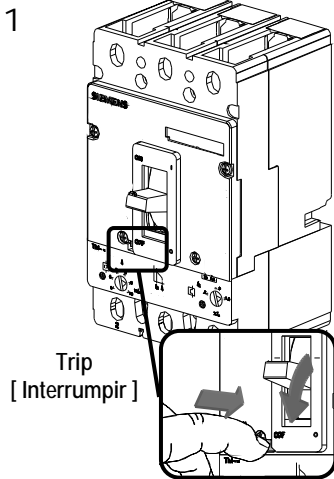
Trademarks - Unless otherwise noted, all names identified by ® are registered trademarks of Siemens AG or Siemens Industry, Inc. The remaining trademarks in this publication may be trademarks whose use by third parties for their own purposes could violate the rights of the owner.



**NOT suitable for use with 100% rated circuit breakers.**  
**[ NO para uso con interruptores a 100% intensidad continua. ]**

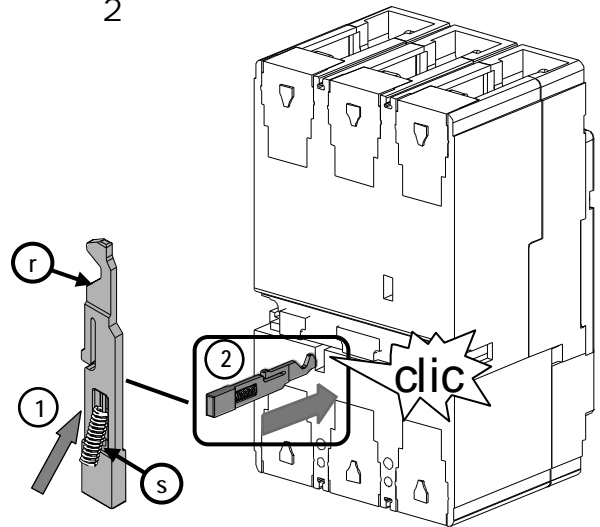


Ex: 3 Pole [ Polos ]



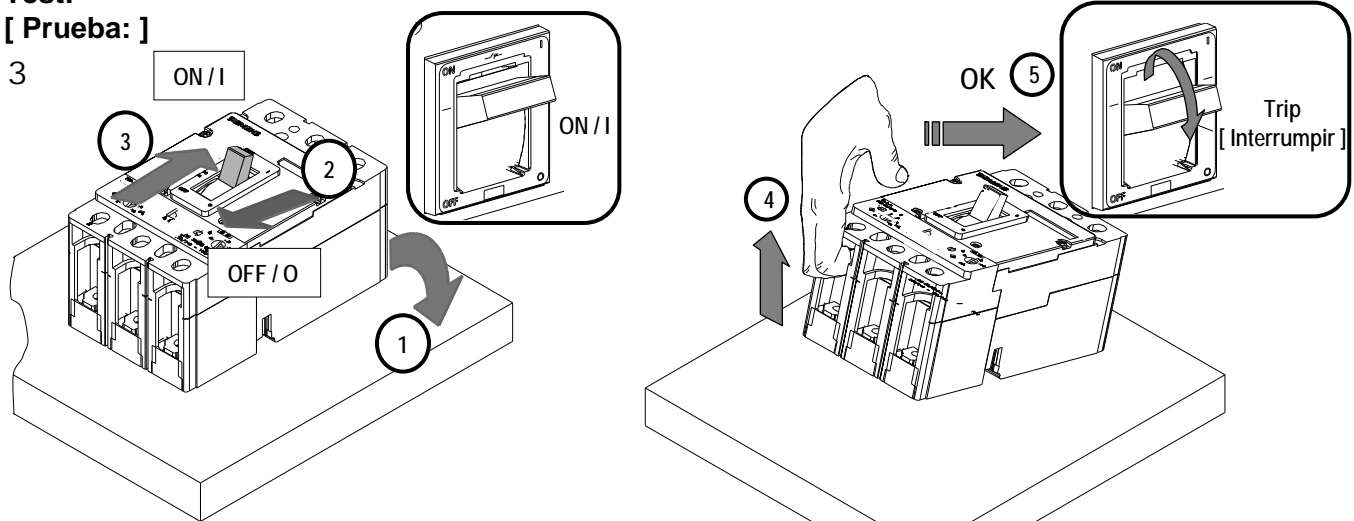
- DCADFC3 / 3VL9200-4WC31
- DCAFFC3 / 3VL9300-4WC31
- DCADRC3 / 3VL9200-4WA31
- DCAFRC3 / 3VL9300-4WA31
- DCXD3 / 3VL9200-4WS31
- DCXF3 / 3VL9300-4WS31
- DCADFC4 / 3VL9200-4WC41
- DCAFFC4 / 3VL9300-4WC41
- DCADRC4 / 3VL9200-4WA41
- DCAFRC4 / 3VL9300-4WA41
- DCXD4 / 3VL9200-4WS41
- DCXF4 / 3VL9300-4WS41

2

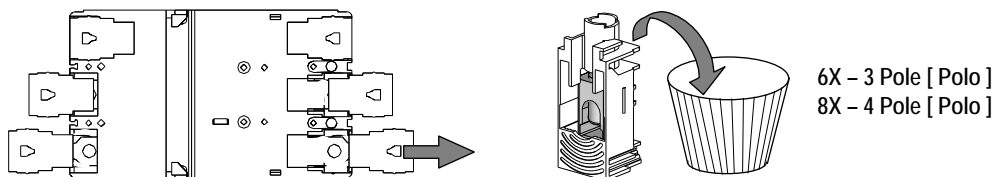


Test:  
[ Prueba: ]

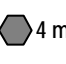
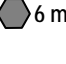
3

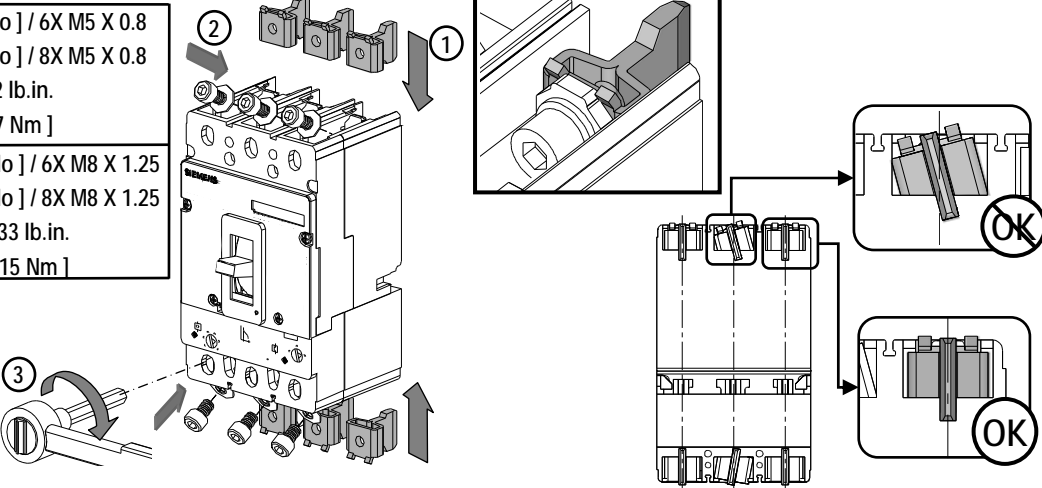


4



5

DG	 4 mm	3 Pole [ Polo ] / 6X M5 X 0.8 4 Pole [ Polo ] / 8X M5 X 0.8 62 lb.in. [ 7 Nm ]
FG	 6 mm	3 Pole [ Polo ] / 6X M8 X 1.25 4 Pole [ Polo ] / 8X M8 X 1.25 133 lb.in. [ 15 Nm ]





### **⚠ Danger**

**Hazardous Voltage.**  
**Will cause death or serious injury.**  
 Turn off and lock out all power supplying this device before working on this device.  
 Replace all covers before power supplying this device is turned on.

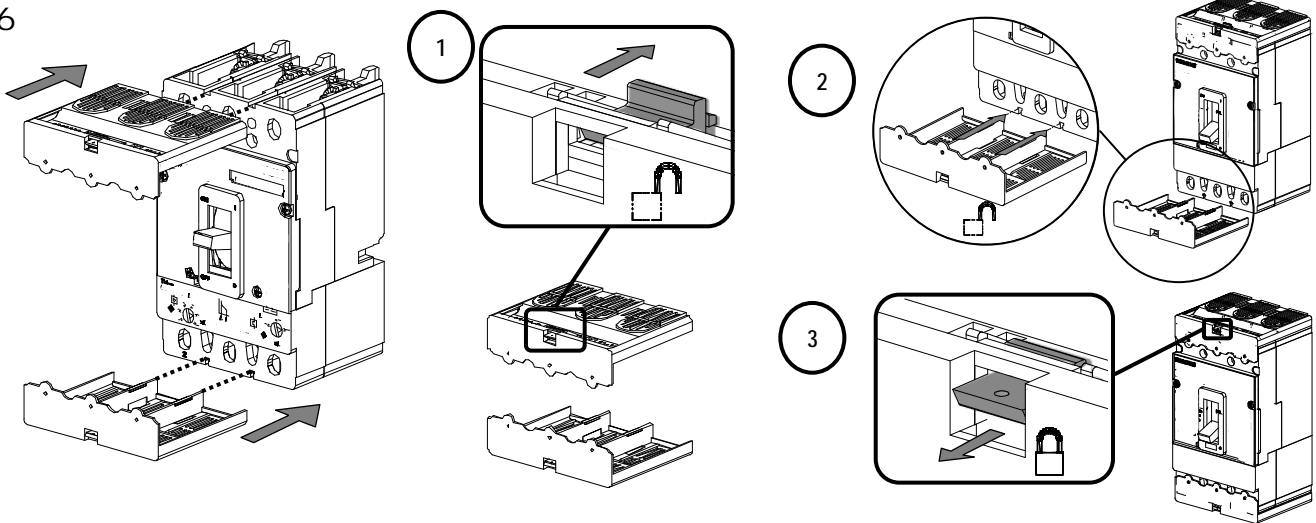
### **⚠ Peligro**

**Tensión peligrosa.**  
**Puede causar la muerte o lesiones graves.**  
 Desenergice totalmente antes de instalar o darle servicio.  
 Reemplace todas las barreras y cubiertas antes de energizar el interruptor.

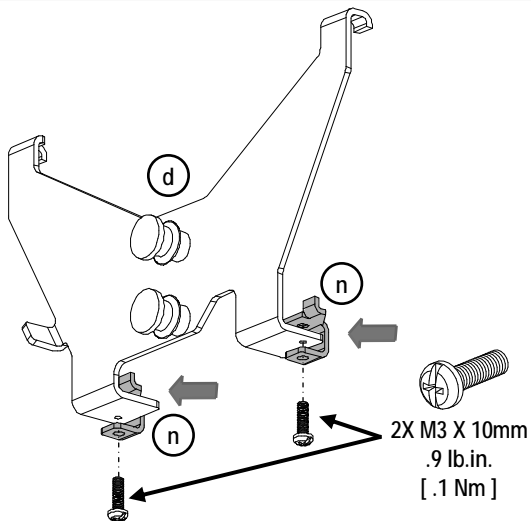
### **⚠ Danger**

**Tension dangereuse.**  
**Danger de mort ou risque de blessures graves.**  
 Couper l'alimentation de l'appareil et barrer avant de travailler.  
 Remplacez tous les couverts avant que l'alprovisionnement de pouvoir soit alimenté.

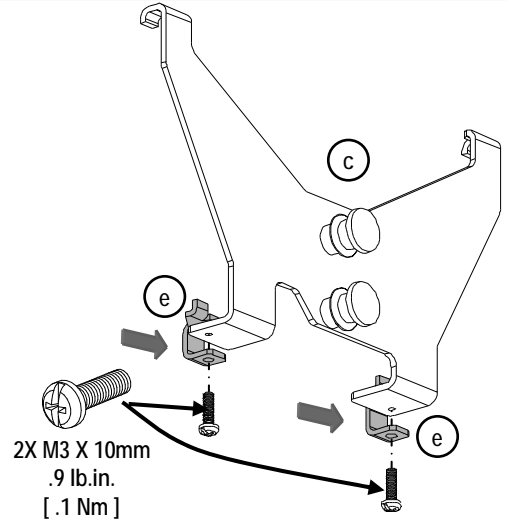
6



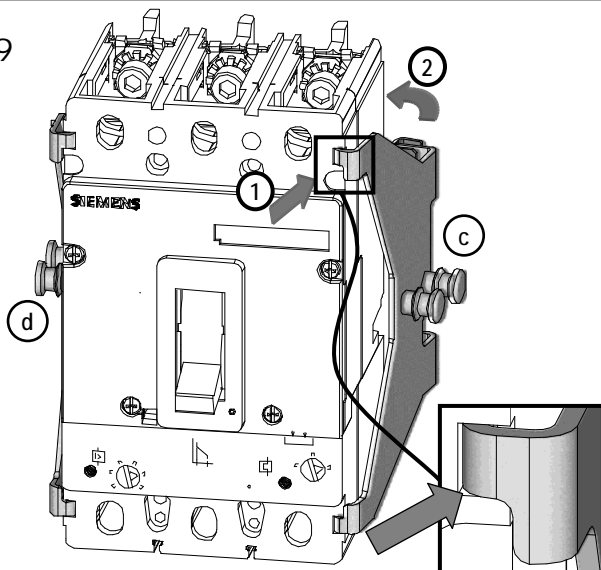
7



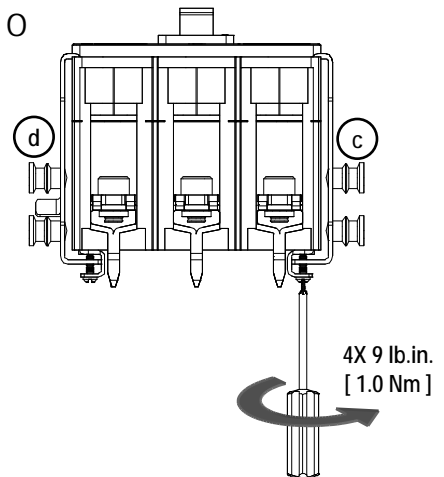
8

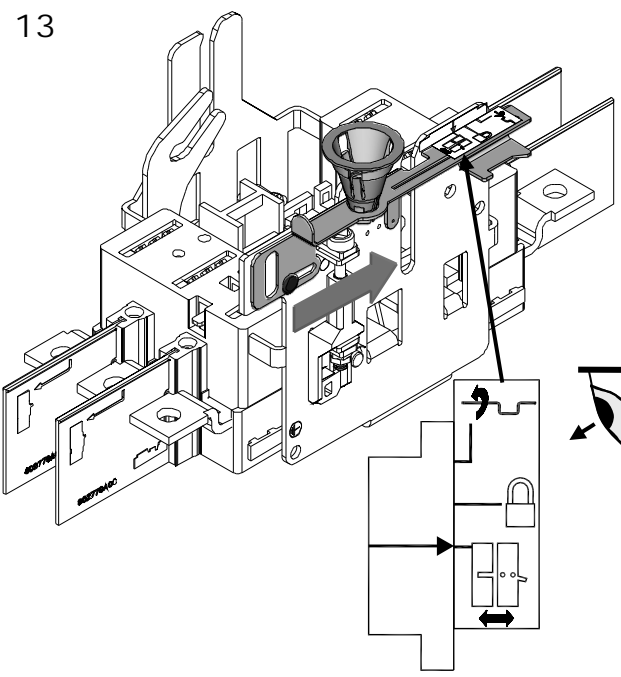
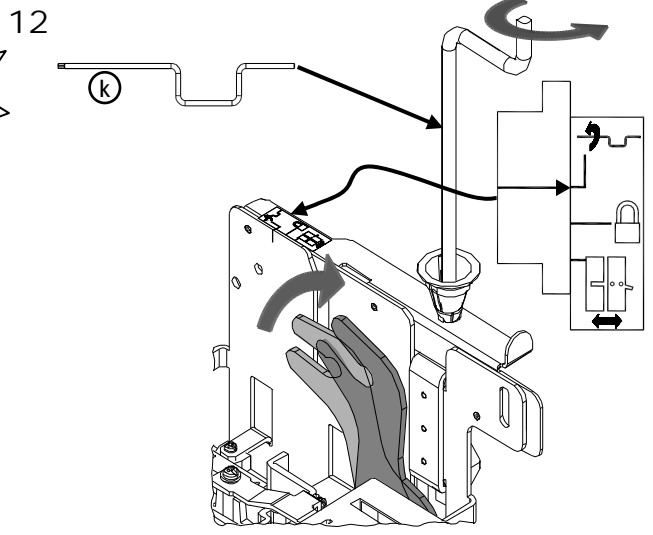
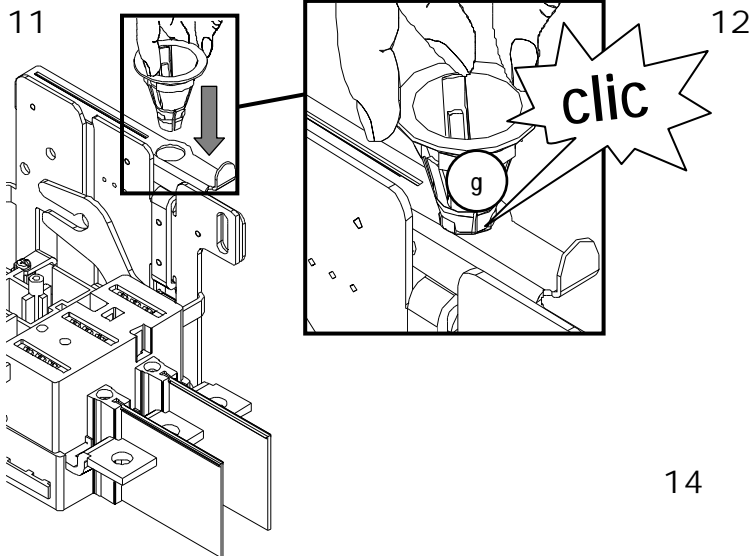


9

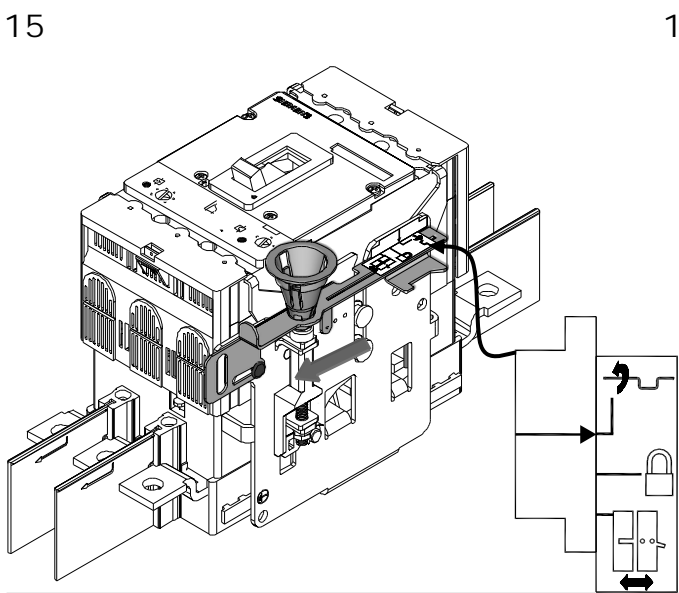
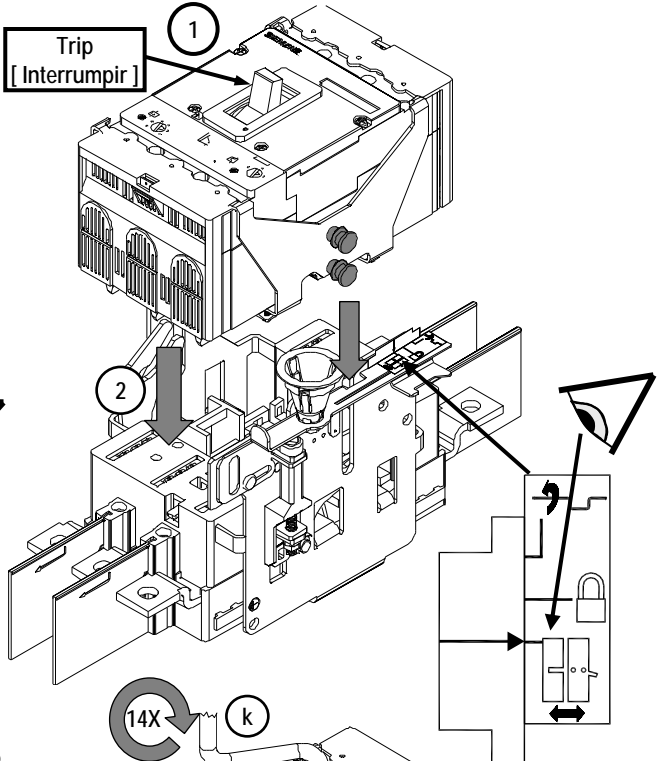


10

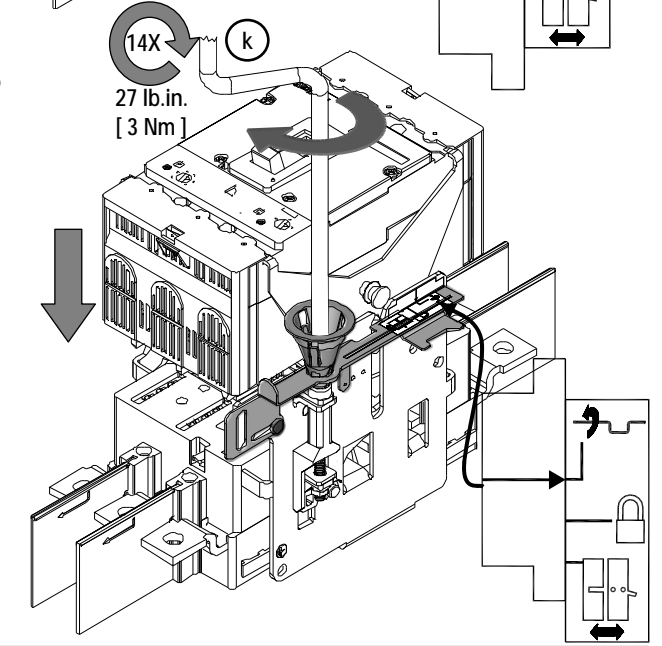




14



16





### **Danger**

**Hazardous Voltage.**  
Will cause death or serious injury.

Turn off and lock out all power supplying this device before working on this device.  
Replace all covers before power supplying this device is turned on.

### **Peligro**

**Tensión peligrosa.**  
Puede causar la muerte o lesiones graves.

Desenergice totalmente antes de instalar o darle servicio.  
Reemplace todas las barreras y cubiertas antes de energizar el interruptor.

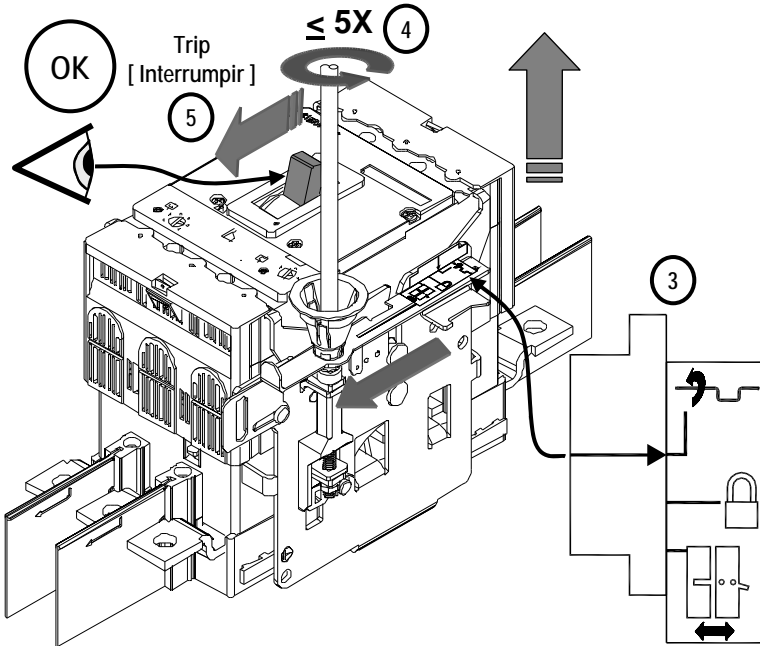
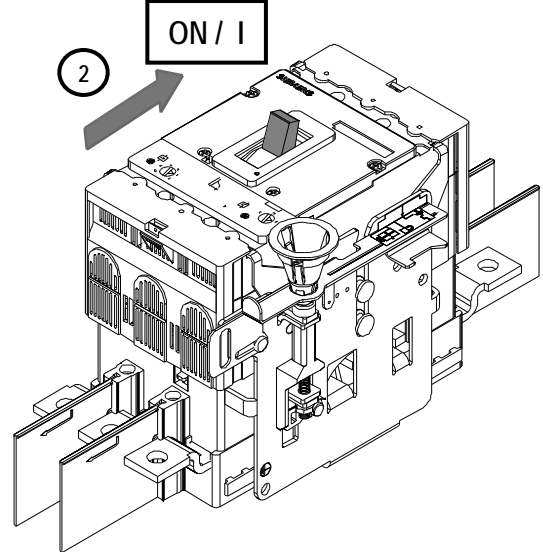
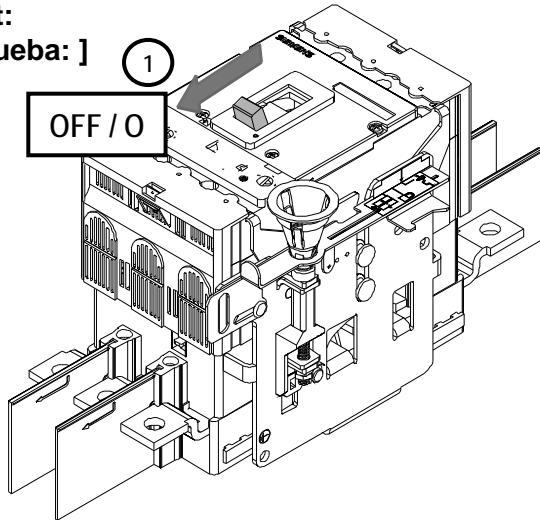
### **Danger**

**Tension dangereuse.**  
Danger de mort ou risque de blessures graves.

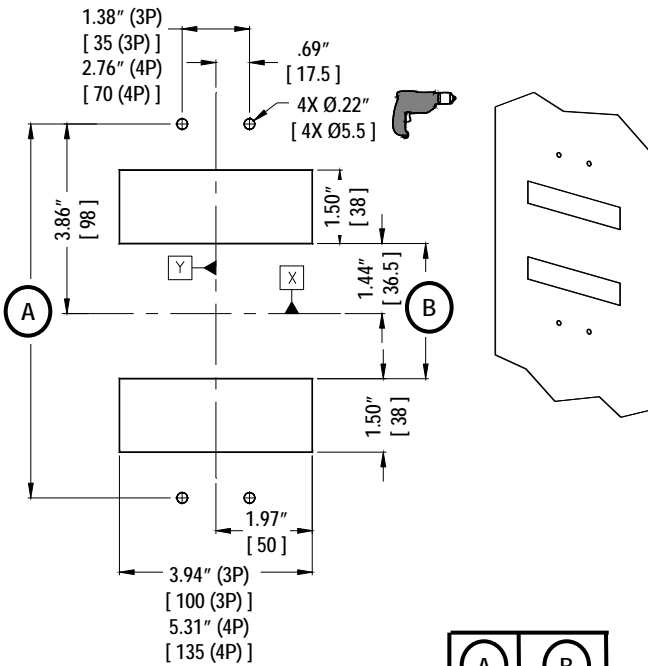
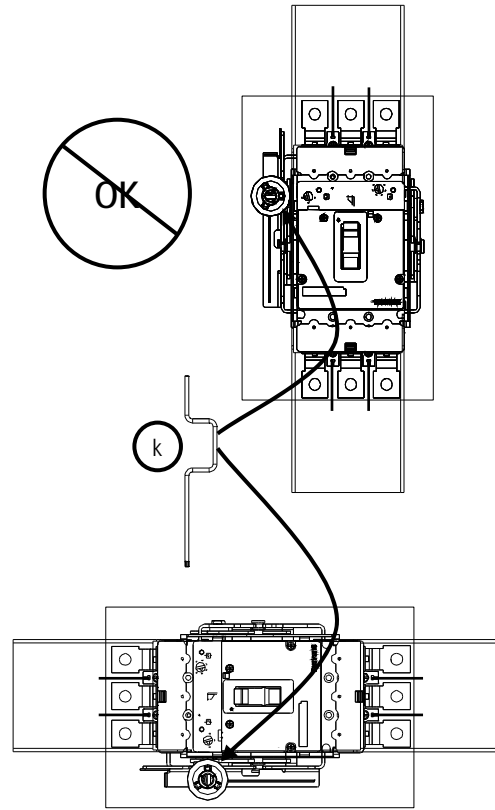
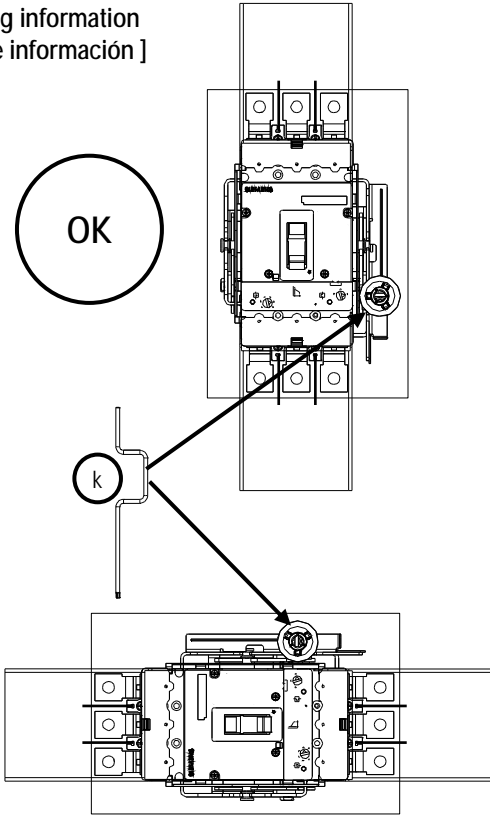
Couper l'alimentation de l'appareil et barrer avant de travailler.  
Remplacez tous les couverts avant que l'alimentation de pouvoir soit alimenté.

**Test:**  
[ Prueba: ]

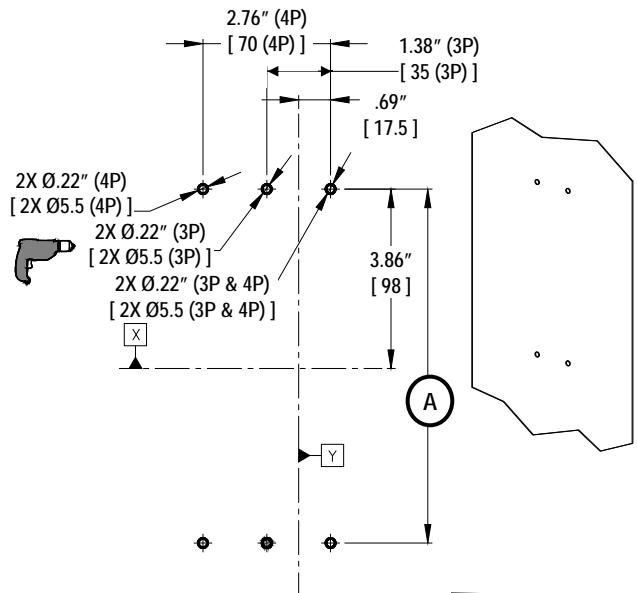
17



Mounting information  
[ Montaje información ]



	A	B
3 Pole / Polos DCADRC3 / 3VL9200-4WA31 DCAFC3 / 3VL9300-4WA31	7.64" [194]	2.76" [70]
4 Pole / Polos DCADRC4 / 3VL9200-4WA41 DCAFC4 / 3VL9300-4WA41	7.64" [194]	2.76" [70]



	A
3 Pole / Polos DCADFC3 / 3VL9200-4WC31 DCAFFC3 / 3VL9300-4WC31	7.64" [194]
4 Pole / Polos DCADFC4 / 3VL9200-4WC41 DCAFFC4 / 3VL9300-4WC41	7.64" [194]



### **Danger**

**Hazardous Voltage.**  
**Will cause death or serious injury.**  
 Turn off and lock out all power supplying this device before working on this device.  
 Replace all covers before power supplying this device is turned on.

### **Peligro**

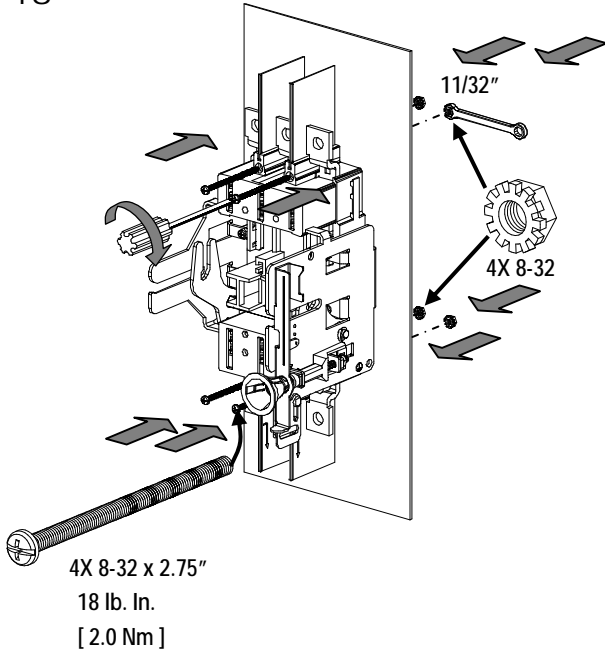
**Tensión peligrosa.**  
**Puede causar la muerte o lesiones graves.**  
 Desenergice totalmente antes de instalar o darle servicio.  
 Reemplace todas las barreras y cubiertas antes de energizar el interruptor.

### **Danger**

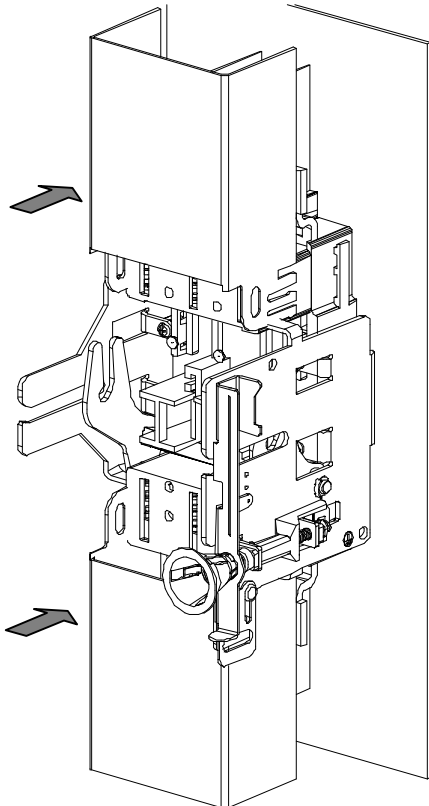
**Tension dangereuse.**  
**Danger de mort ou risque de blessures graves.**  
 Couper l'alimentation de l'appareil et barrer avant de travailler.  
 Remplacez tous les couverts avant que l'alimentation de pouvoir soit alimenté.

18

DCADFC3 / 3VL9200-4WC31  
 DCAFFC3 / 3VL9300-4WC31  
 DCADFC4 / 3VL9200-4WC41  
 DCAFFC4 / 3VL9300-4WC41

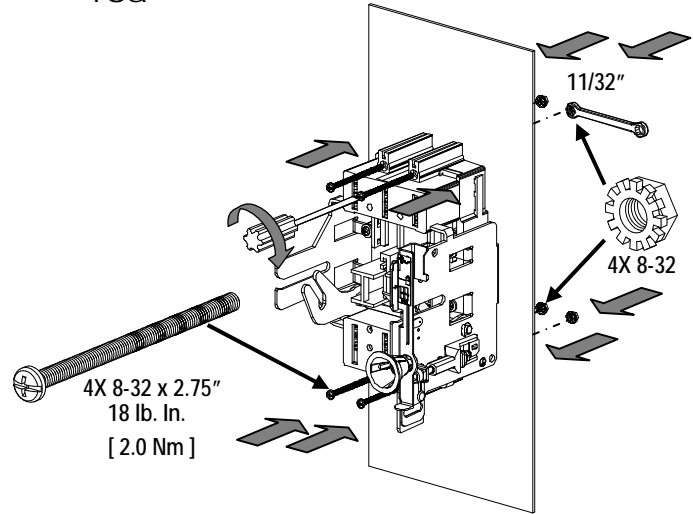


19

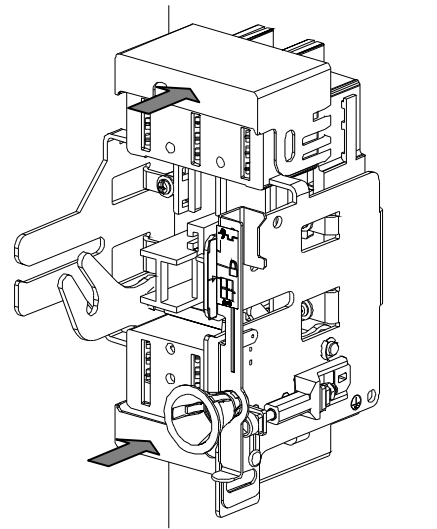


18a

DCADRC3 / 3VL9200-4WA31  
 DCAFRC3 / 3VL9300-4WA31  
 DCADRC4 / 3VL9200-4WA41  
 DCAFRC4 / 3VL9300-4WA431

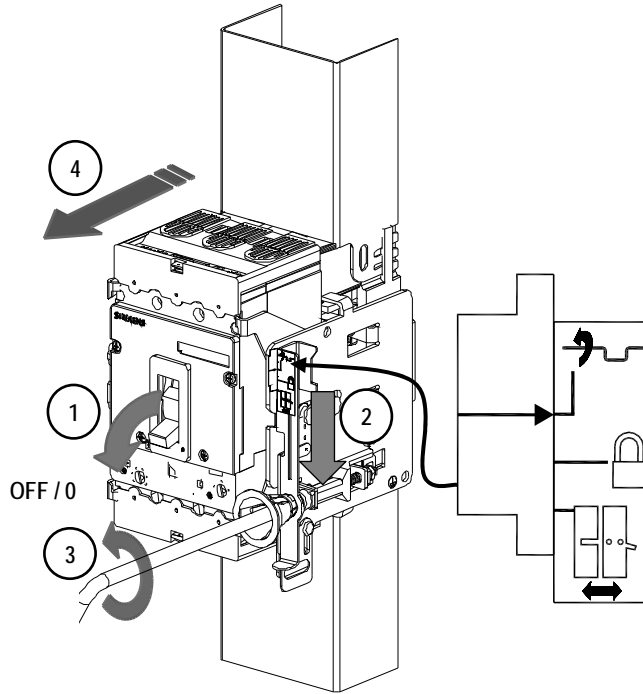


19a

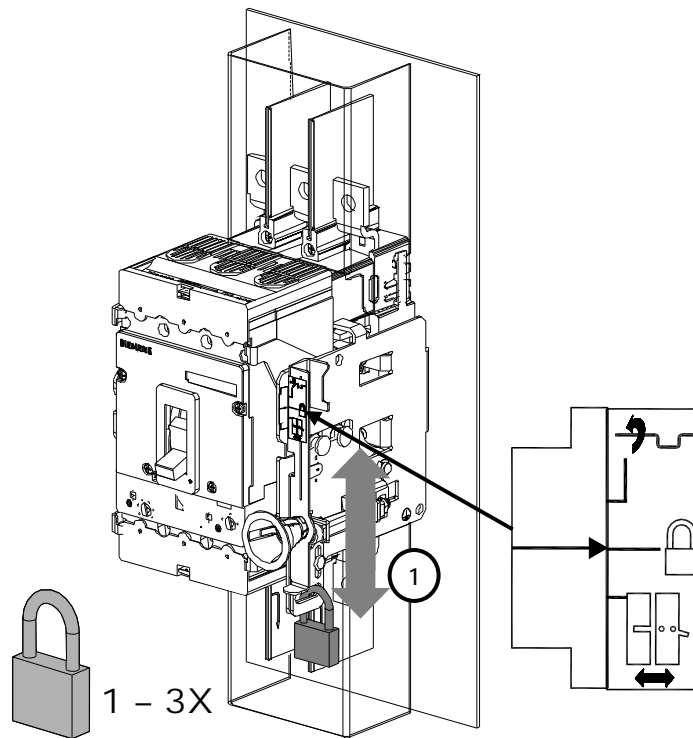




**Removal**  
**[ Remover ]**



**Option:**  
**[ Opción: ]**



**For Support in Europe refer to :**  
 Bestell-Nr. / Order No.: 3ZX1012-0VL68-3AA2    Internet: [www.siemens.de/lowvoltage/technical-assistance](http://www.siemens.de/lowvoltage/technical-assistance)    GWA 4NEB 179 6850-10 DS 02

**Technical Support:**    Toll Free: 1-800-241-4453    Internet: [www.usa.siemens.com/powerdistribution](http://www.usa.siemens.com/powerdistribution)